

Need help selecting the right enclosure?

START HERE...

TX Select Series



Download this page in PDF format.

Download detailed engineering drawings in PDF format.



Features

Surface: Textured finish

Material: Flame retardant ABS plastic

Flame Rating: UL94V-0 (TS-3420 rated UL94-5VA)

PC Board Mounting: Cover has 2 optional PC board mounting bosses. TS-3420 has 4 mounting bosses in cover

Mounting Flanges: This plastic case is available with or without mounting flanges.

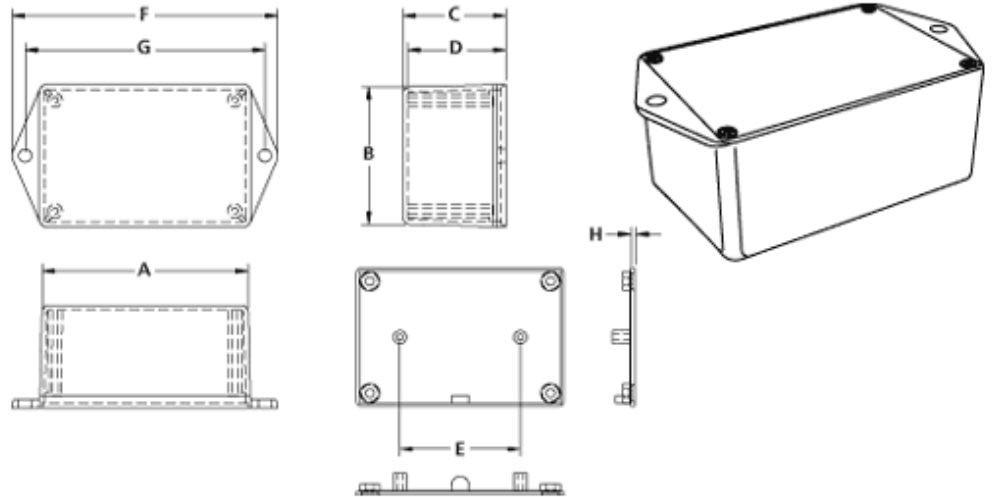
Closure: Screw-on

Cover: Flush mounted cover.

TS-2420 & TS-3420 have an optional recessed, smooth area for graphic overlays or membrane keypads.

TS-2420 & TS-3420 have insert mold capabilities that allow your plastic case to have custom molding without expensive tooling.

Engineering Drawing



Plastic Electronic Enclosures

TX SELECT SERIES

Catalog Number	Length	Width	Height	Inside Depth w/o Cover	PCB Bosses	PCB Boss Height	Mtg. Flange Length	Mtg. Flange Holes	Cover Thickness	PDF	PRICE	ADD TO CART
	A	B	C	D	E	F	G	H				
TS-1741P	4.000	1.750	1.000	0.930	3.000	0.250			0.075			
TS-1741F	4.000	1.750	1.000	0.930	3.000	0.250	4.875	4.500	0.075			
TS-2309P	3.030	2.030	0.900	0.825	1.750	0.250			0.075			
TS-2309F	3.030	2.030	0.900	0.825	1.750	0.250	3.860	3.490	0.075			
TS-2315P	3.000	2.000	1.500	1.425	1.750	0.250			0.075			
TS-2315F	3.000	2.000	1.500	1.425	1.750	0.250	3.875	3.500	0.075			
TS-2409P	4.060	2.190	0.900	0.830	3.000	0.250			0.090			
TS-2409F	4.060	2.190	0.900	0.830	3.000	0.250	4.875	4.500	0.090			
TS-2420P	4.000	2.125	2.000	1.900	3.000	0.250			0.090			
TS-2420F	4.000	2.125	2.000	1.900	3.000	0.250	4.875	4.500	0.090			
TS-3315P	3.000	3.000	1.500	1.425	1.750	0.250			0.075			
TS-3315F	3.000	3.000	1.500	1.425	1.750	0.250	3.875	3.500	0.075			

TS-3420P	4.375	3.125	2.000	1.900	3.300 X 2.050	0.250			0.100	PDF	PRICE	ADD TO CART
TS-3420F	4.375	3.125	2.000	1.900	3.300 X 2.050	0.250	5.500	5.000 X 1.750	0.100	PDF	PRICE	ADD TO CART

Dimensions are nominal and in inches

Mounting boss screws are available for purchase (4-24 x 1/4 inch thread forming screw)

Enclosure includes case, cover and screws for enclosure assembly

Designed by [Saremo, Inc.](#)