

Need help selecting the right enclosure?
[START HERE...](#)

SL Series



Click to enlarge



Features

- Slender profile is ideal for today's surface mount technology
- Sleek design meets the demand for contemporary styling

Surface: Textured finish

Material: Flame retardant ABS plastic

Flame Rating: UL's best flame rating of 94-5VA (SL with recessed cover option, UL94V-0)

PC Board Mounting: Four PC board mounting bosses are a no-cost option

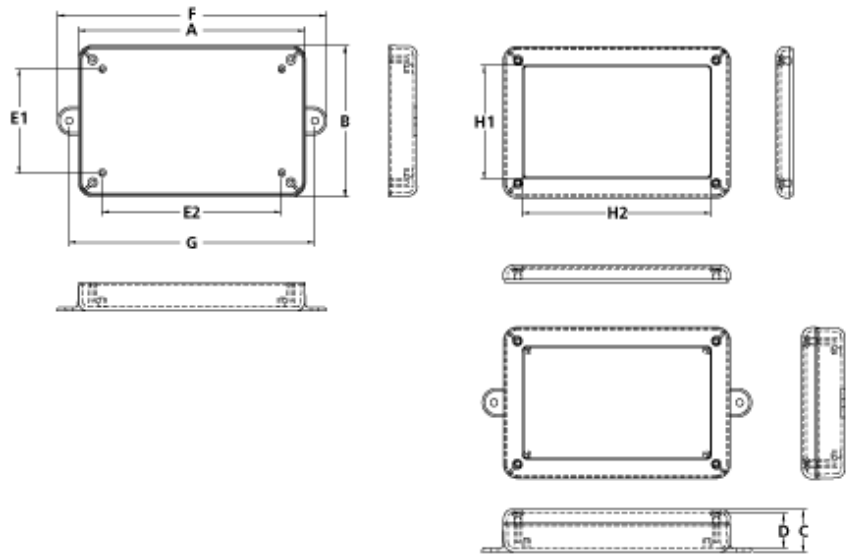
Mounting Flanges: Available with or without small, tab-style mounting flanges

Closure: Screw-on

Cover: Two styles - flush, textured or 0.030" recessed, smooth area (ideal for graphic overlays or membrane keypads)

Insert mold capability allows for custom molding without expensive tooling.

Engineering Drawing



Plastic Electronic Enclosure

SL SERIES

Catalog Number	Length	Width	Height	Inside Depth	PCB Bosses		PCB Boss Height	Mtg. Flange Length	Mtg. Flange Holes	Graphic Overlay				
	A	B	C	D	E1	E2		F	G	H1	H2			
SL-30P	3.993	2.026	1.139	0.902	0.971 X 2.938		0.250			1.188 X 3.156				
SL-30F	3.993	2.026	1.139	0.902	0.971 X 2.938		0.250	5.104	4.500	1.188 X 3.156				
SL-42P	4.250	2.625	1.265	1.050	1.375 X 3.000		0.250			1.655 X 3.280				
SL-42F	4.250	2.625	1.265	1.050	1.375 X 3.000		0.250	5.365	4.755	1.655 X 3.280				
SL-53P	5.625	3.250	1.150	0.930	2.000 X 4.375		0.250			2.280 X 4.655				
SL-53F	5.625	3.250	1.150	0.930	2.000 X 4.375		0.250	6.750	6.130	2.280 X 4.655				
SL-57P	5.625	3.250	1.375	1.160	2.000 X 4.375		0.250			2.280 X 4.655				
SL-57F	5.625	3.250	1.375	1.160	2.000 X 4.375		0.250	6.750	6.130	2.280 X 4.655				
SL-64P	6.015	4.010	1.140	0.925	2.755 X 4.760		0.250			3.040 X 5.030				
SL-64F	6.015	4.010	1.140	0.925	2.755 X 4.760		0.250	7.140	6.520	3.040 X 5.030				
SL-68P	6.015	4.010	1.500	1.290	2.755 X 4.760		0.250			3.400 X 5.030				
SL-68F	6.015	4.010	1.500	1.290	2.755 X 4.760		0.250	7.140	6.520	3.400 X 5.030				