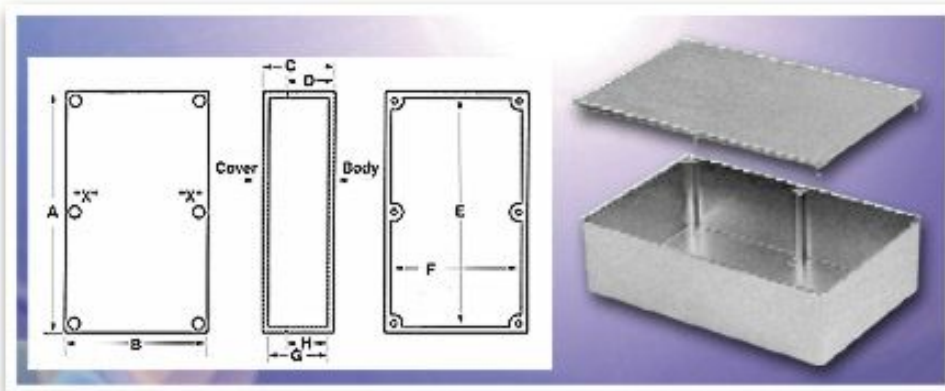


Diecast Aluminum **Econobox**



Click on Image for Larger View

Design Features

Bud offers fifteen box sizes, each with a close fitting flanged cover fastened to bosses in the body with screws. This plus the thickness of the #ADC-10 aluminum alloy, offers excellent screening properties. These lightweight, easy to machine enclosures have a number of uses: instrument and meter cases, filter networks, junction bosses, switching and many other applications requiring a small box. In addition, they're ideal for concealed or other interior use where a safety closure is necessary.

Available in both natural finish and gray painted finish
(add -G suffix to part number for gray paint)

Econobox											
Catalog No.	Drawings	A	B	C	D	E	F	G	H	Thickness	Lbs.
CU-123	PDF DXF	3.62"	1.50"	1.21"	1.06"	3.30"	1.18"	1.09"	1.00"	0.06"	0.50
CU-124	PDF DXF	4.37"	2.37"	1.21"	1.06"	4.05"	2.05"	1.09"	1.00"	0.06"	0.50
CU-234	PDF DXF	4.68"	3.68"	2.21"	2.06"	4.24"	3.24"	2.09"	2.00"	0.09"	0.75
CU-247	PDF DXF	7.39"	4.70"	2.21"	2.06"	7.08"	4.33"	2.09"	2.00"	0.09"	1.25
CU-347	PDF DXF	7.39"	4.70"	3.21"	3.06"	7.08"	4.33"	3.09"	3.00"	0.09"	1.50
CU-470	PDF DXF	2.00"	2.00"	1.25"	1.09"	1.80"	1.80"	1.10"	1.01"	0.06"	0.25
CU-471	PDF DXF	4.33"	3.25"	1.75"	1.59"	4.08"	3.00"	1.60"	1.51"	0.09"	0.75

CU-472	PDF	DXF	4.75"	3.15"	2.33"	2.17"	4.43"	2.83"	2.18"	2.09"	0.09"	0.75
CU-473	PDF	DXF	4.68"	3.68"	1.34"	1.18"	4.43"	3.43"	1.19"	1.10"	0.09"	0.75
CU-474	PDF	DXF	4.75"	4.75"	2.33"	3.17"	4.43"	4.43"	2.18"	2.09"	0.09"	1.00
CU-475	PDF	DXF	4.75"	4.75"	3.75"	3.59"	4.30"	4.30"	3.60"	3.51"	0.09"	1.25
CU-476	PDF	DXF	6.00"	3.25"	2.00"	1.84"	5.68"	2.93"	1.85"	1.76"	0.09"	1.00
CU-477	PDF	DXF	7.39"	4.70"	1.50"	1.34"	7.14"	4.45"	1.35"	1.16"	0.09"	1.00
CU-478	PDF	DXF	7.50"	7.50"	2.62"	2.46"	7.18"	7.18"	2.47"	2.38"	0.09"	2.00
CU-479	PDF	DXF	4.37"	3.37"	2.13"	1.98"	4.05"	3.05"	1.98"	1.90"	0.06"	0.60

[DXF](#) Autocad DXF Specifications File
(Requires CAD software such as AutoCAD)

[PDF](#) Adobe PDF Specifications File



[Download PDF Viewer](#)

[Home](#) | [Company Info](#) | [Online Catalog](#) | [Check Stock](#) | [Distributor/Price](#)

[Reps](#) | [New](#) | [Search](#) | [Contact](#) | [Privacy Policy](#)

BUD INDUSTRIES INC.

P.O. Box 998

Willoughby, Ohio 44094

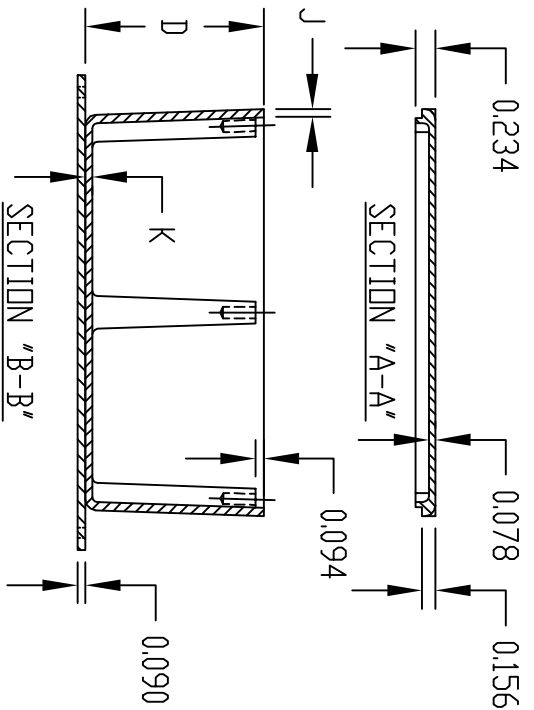
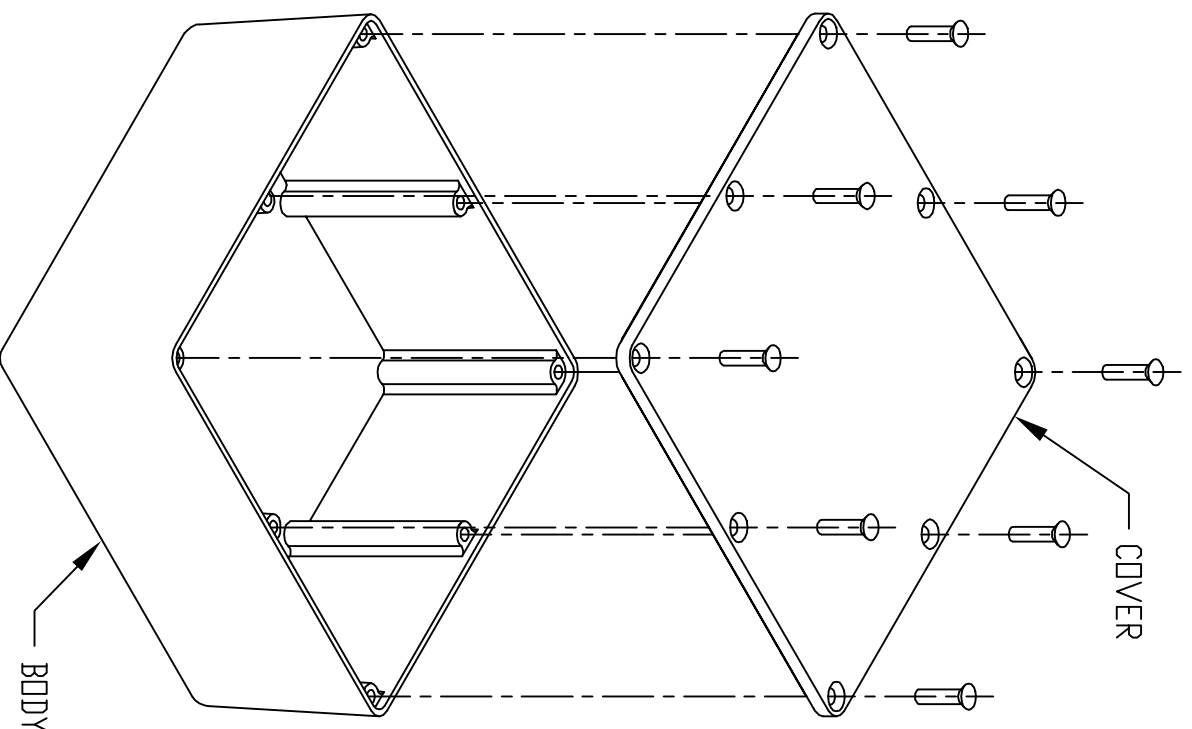
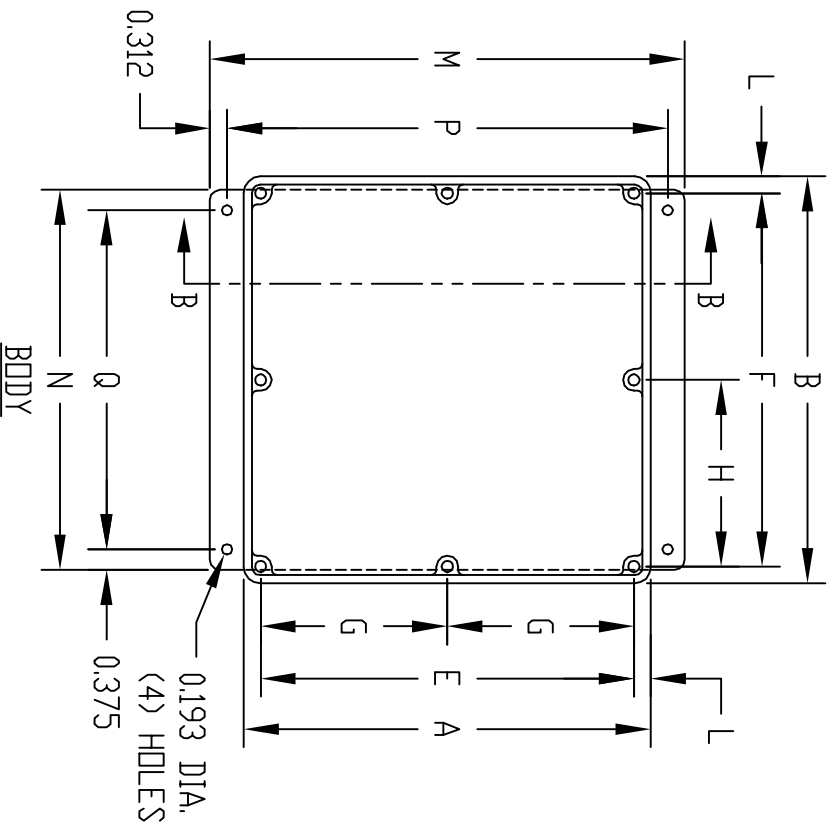
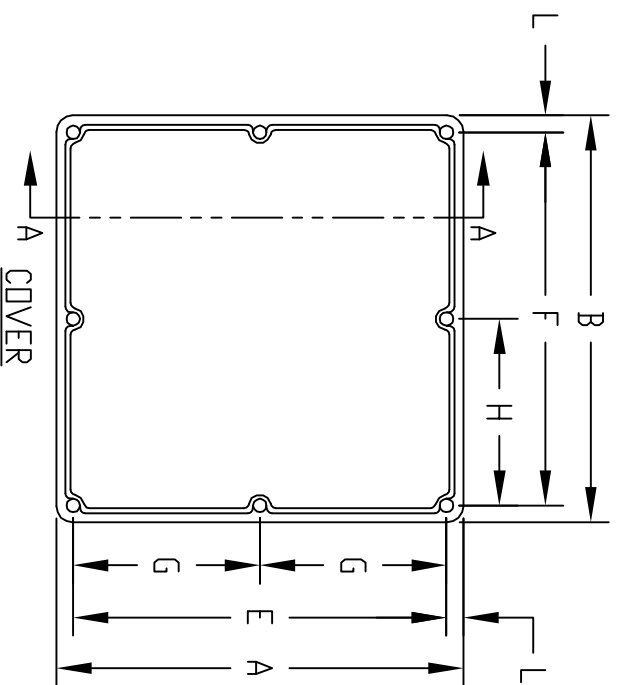
Phone: 440-946-3200 Fax: 440-951-4015

E-Mail: saleseast@budind.com

PART NAME ECNDNDBOXES

PART No. CU-470 TD CU-479 & CU-470-G TD CU-479-G
CU-4470 TD CU-4479 & CU-4470-B TD CU-4479-B

REV. DATE 2-2-04



MATERIAL:
ALUMINUM ALLOY #ADC-10
FINISH:
NATURAL (ND SUFFIX)
GRAY (SUFFIX -G)
SMOOTH BLACK (SUFFIX -B)

ALL INTERNAL FILLETS 0.062 RADIUS
ALL INTERNAL ROUNDS 0.125 RADIUS
ALL EXTERNAL ROUNDS 0.125 RADIUS
ALL BOXES ASSEMBLED WITH #6-32 FLAT HD. SCREWS

PART ND. CU-4470 THRU CU-4479
AND CU-4470-B THRU CU-4479-B
ARE SUPPLIED WITH A WELDED ON
MOUNTING BRACKET ONLY.

* ASSEMBLED HEIGHT

PART ND.	PART ND.	A	B	* C	D	E	F	G	H	J	K	L	M	N	P	Q
CU-470	CU-470-G	2.000	2.000	1.250	1.094	1.625	1.625	----	----	0.065	0.065	0.188	----	----	----	----
CU-471	CU-471-G	4.330	3.250	1.750	1.594	3.955	2.875	----	----	0.094	0.078	0.188	----	----	----	----
CU-472	CU-472-G	4.750	3.150	2.330	2.174	4.375	2.775	----	----	0.094	0.078	0.188	----	----	----	----
CU-473	CU-473-G	4.688	3.688	1.340	1.184	4.313	3.313	----	----	0.094	0.078	0.188	----	----	----	----
CU-474	CU-474-G	4.750	4.750	2.330	2.174	4.375	4.375	----	----	0.094	0.078	0.188	----	----	----	----
CU-475	CU-475-G	4.750	4.750	3.750	3.594	4.375	4.375	----	----	0.094	0.078	0.188	----	----	----	----
CU-476	CU-476-G	6.000	3.250	2.000	1.844	5.610	2.860	----	----	0.094	0.078	0.195	----	----	----	----
CU-477	CU-477-G	7.390	4.703	1.500	1.344	7.000	4.313	3.500	----	0.094	0.078	0.195	----	----	----	----
CU-478	CU-478-G	7.500	7.500	2.620	2.464	7.110	7.110	3.555	3.555	0.094	0.078	0.195	----	----	----	----
CU-479	CU-479-G	4.375	2.375	2.136	1.980	4.000	2.000	----	----	0.065	0.078	0.188	----	----	----	----
CU-4470	CU-4470-B	2.000	2.000	1.250	1.094	1.625	1.625	----	----	0.065	0.065	0.188	3.250	1.625	2.626	0.875
CU-4471	CU-4471-B	4.330	3.250	1.750	1.594	3.955	2.875	----	----	0.094	0.078	0.188	5.624	2.875	5.000	2.125
CU-4472	CU-4472-B	4.750	3.150	2.330	2.174	4.375	2.775	----	----	0.094	0.078	0.188	6.000	2.750	5.376	2.000
CU-4473	CU-4473-B	4.688	3.688	1.340	1.184	4.313	3.313	----	----	0.094	0.078	0.188	5.874	3.312	5.250	2.562
CU-4474	CU-4474-B	4.750	4.750	2.330	2.174	4.375	4.375	----	----	0.094	0.078	0.188	6.000	4.250	5.376	3.500
CU-4475	CU-4475-B	4.750	4.750	3.750	3.594	4.375	4.375	----	----	0.094	0.078	0.188	5.874	4.250	5.250	3.500
CU-4476	CU-4476-B	6.000	3.250	2.000	1.844	5.610	2.860	2.805	----	0.094	0.078	0.195	7.250	2.875	6.626	2.125
CU-4477	CU-4477-B	7.390	4.703	1.500	1.344	7.000	4.313	3.500	----	0.094	0.078	0.195	8.624	4.250	8.000	3.500
CU-4478	CU-4478-B	7.500	7.500	2.620	2.464	7.110	7.110	3.555	3.555	0.094	0.078	0.195	8.750	7.000	8.126	6.250
CU-4479	CU-4479-B	4.375	2.375	2.136	1.980	4.000	2.000	----	----	0.065	0.078	0.188	5.624	2.000	5.000	1.250