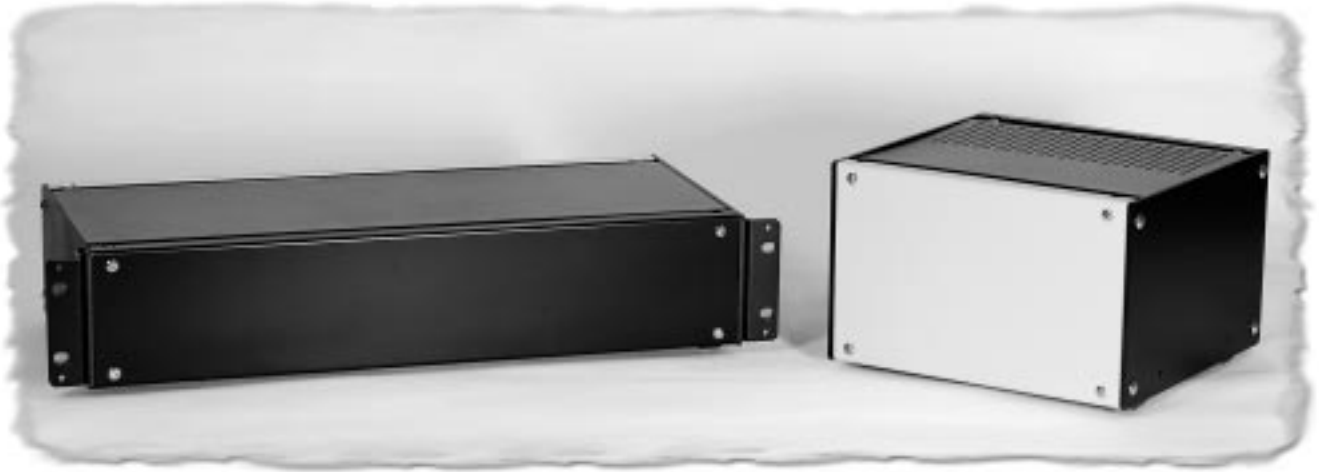


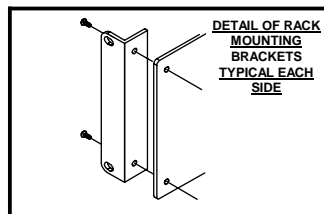
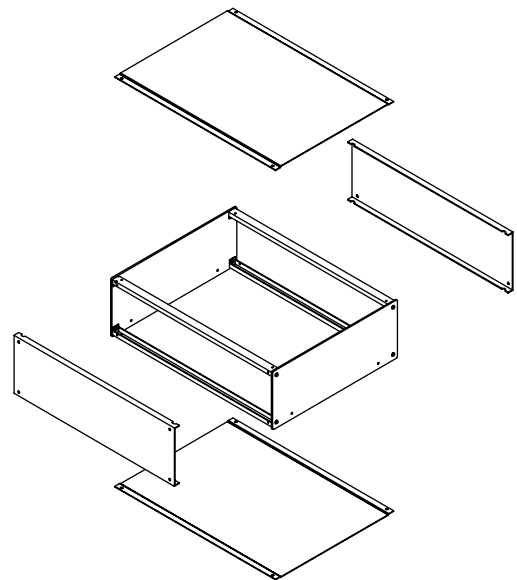
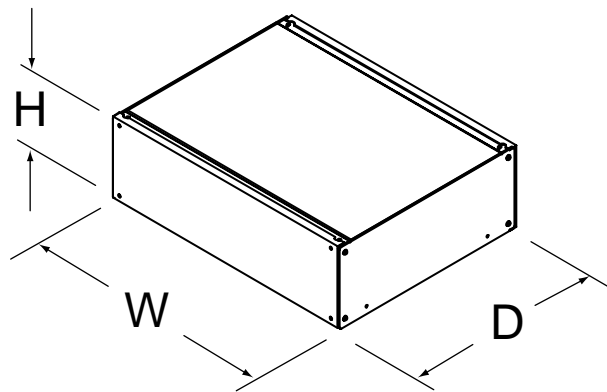
Rack Mount Instrument (RMCS & RMCV Series)



KEY FEATURES

- Perfect for rack mount or table top applications or both!
- Shipped knocked down to avoid shipping damage.
- Uses all PEM nut construction, perfect for applications where repetitive assembly and disassembly are required.
- Strong construction using folded .062" (1.58 mm) top, bottom, front & back panels and .125" (3.18 mm) side panels and horizontal support bars.
- Light weight design by using aluminum panels.
- .125" (3.18 mm) side panels and horizontal support bars.
- Can be used with or without rack mounting brackets (included).
- Front and rear panels are interchangeable (one is off white, the other is smooth black) powder paint.
- Enclosure is finished in rugged textured black powder paint.
- Includes top, bottom, sides, feet, rackmount brackets and all hardware.
- Easy access to inside, as only 4 screws need to be removed from any of the 6 panels.
- Aluminum chassis panel is optional.
- Available in both 19" rack mount and half width.
- Available in both vented and unvented versions.

Metal



Rack Mount Instrument (RMCS & RMCV Series)

19" RACK MOUNT (SOLID TOP & BOTTOM)

Part Number	H Height (In.)	H Height (Units)	W Width (In.)	D Depth (In.)	Accepts Pull Handle	Optional Chassis Panel	Inside Clearance with Chassis Panel Installed	Spare Front Panel	Spare Rear Panel
RMCS19018BK1	1.75	1	17	8	No	RMP1908	0.81"	RMCP1CG	RMCP1BK
RMCS190113BK1	1.75	1	17	13	No	RMP1913	0.81"	RMCP1CG	RMCP1BK
RMCS19038BK1	3.50	2	17	8	1427P	RMP1908	2.56"	RMCP3CG	RMCP3BK
RMCS190313BK1	3.50	2	17	13	1427P	RMP1913	2.56"	RMCP3CG	RMCP3BK
RMCS190513BK1	5.25	3	17	13	1427N	RMP1913	4.31"	RMCP5CG	RMCP5BK
RMCS190713BK1	7.00	4	17	13	1427M	RMP1913	6.06"	RMCP7CG	RMCP7BK
RMCS190813BK1	8.75	5	17	13	1427M	RMP1913	7.81"	RMCP8CG	RMCP8BK
RMCS191013BK1	10.50	6	17	13	1427L	RMP1913	9.56"	RMCP10CG	RMCP10BK
RMCS191015BK1	10.50	6	17	15	1427L	RMP1915	9.56"	RMCP10CG	RMCP10BK

19" RACK MOUNT (VENTILATED TOP & BOTTOM)

Part Number	H Height (In.)	H Height (Units)	W Width (In.)	D Depth (In.)	Accepts Pull Handle	Optional Chassis Panel	Inside Clearance with Chassis Panel Installed	Spare Front Panel	Spare Rear Panel
RMCV19018BK1	1.75	1	17	8	No	RMP1908	0.81"	RMCP1CG	RMCP1BK
RMCV190113BK1	1.75	1	17	13	No	RMP1913	0.81"	RMCP1CG	RMCP1BK
RMCV19038BK1	3.50	2	17	8	1427P	RMP1908	2.56"	RMCP3CG	RMCP3BK
RMCV190313BK1	3.50	2	17	13	1427P	RMP1913	2.56"	RMCP3CG	RMCP3BK
RMCV190513BK1	5.25	3	17	13	1427N	RMP1913	4.31"	RMCP5CG	RMCP5BK
RMCV190713BK1	7.00	4	17	13	1427M	RMP1913	6.06"	RMCP7CG	RMCP7BK
RMCV190813BK1	8.75	5	17	13	1427M	RMP1913	7.81"	RMCP8CG	RMCP8BK
RMCV191013BK1	10.50	6	17	13	1427L	RMP1913	9.56"	RMCP10CG	RMCP10BK
RMCV191015BK1	10.50	6	17	15	1427L	RMP1915	9.56"	RMCP10CG	RMCP10BK

HALF WIDTH - RACK MOUNT (SOLID TOP & BOTTOM)

Part Number	H Height (In.)	H Height (Units)	W Width (In.)	D Depth (In.)	Accepts Pull Handle	Optional Chassis Panel	Inside Clearance with Chassis Panel Installed
RMCS9018BK1	1.75	1	8.5	8	No	RMP908	0.81"
RMCS9038BK1	3.50	2	8.5	8	1427P	RMP908	2.56"
RMCS9058BK1	5.25	3	8.5	8	1427P	RMP908	4.31"

HALF WIDTH - RACK MOUNT (VENTILATED TOP & BOTTOM)

Part Number	H Height (In.)	H Height (Units)	W Width (In.)	D Depth (In.)	Accepts Pull Handle	Optional Chassis Panel	Inside Clearance with Chassis Panel Installed
RMCV9018BK1	1.75	1	8.5	8	No	RMP908	0.81"
RMCV9038BK1	3.50	2	8.5	8	1427P	RMP908	2.56"
RMCV9058BK1	5.25	3	8.5	8	1427P	RMP908	4.31"



CHASSIS PANELS

- Holes provided for bottom mounting.
- Panel is aluminum with an alodine finish.

Metal



CANADA
Guelph, Ontario (519) 822-2960
St. Laurent, Quebec (514) 343-9010
USA
Cheektowaga, NY (716) 651-0086

www.hammondmfg.com

EUROPE
Basingstoke, UK +44 1256 812812

AUSTRALASIA
Queenstown, SA, Australia +61 8 8240 2244