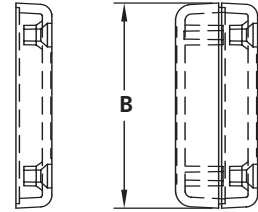
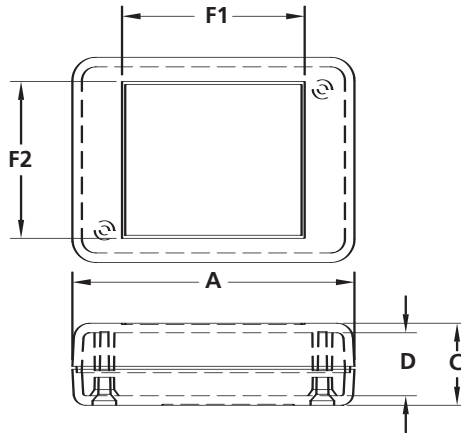
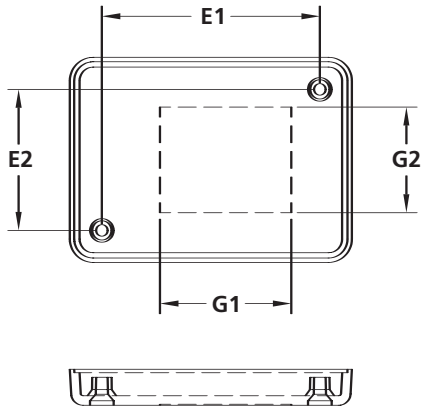
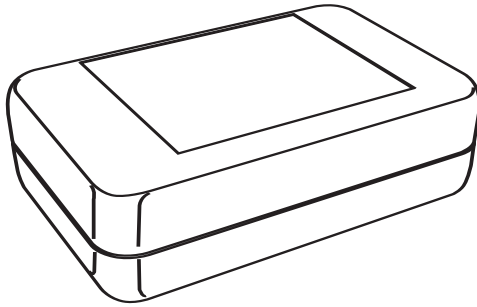




Order On Line  
[www.policase.com](http://www.policase.com)  
[sales@policase.com](mailto:sales@policase.com)  
**800-248-1233**  
 Fax: 440-934-0088

# PLASTIC ENCLOSURES FOR ELECTRONICS

## KT Product Features



- | Material  | Design  | Additional Info  |
|---|---|--|
| <ul style="list-style-type: none"> <li><b>Material:</b> Flame retardant ABS plastic</li> <li><b>Flame Rating:</b> UL94V-0</li> <li><b>Surface:</b> Textured finish</li> </ul> | <ul style="list-style-type: none"> <li><b>PC Board Mounting:</b> Unique design captures your PC board between screw towers and locks it into place when case is screwed together. KT-70 has optional mounting bosses.</li> <li><b>Closure:</b> Case screws onto base</li> <li><b>Case Styles:</b> Two styles – area on case surface may be flush, textured or 0.030" recessed, smooth area for graphic overlays or membrane keypads. KT-45 has a recessed, textured area or an optional recessed, smooth area with a ribbon cable slot</li> <li><b>Base:</b> Recessed area for labeling I.D.</li> </ul> | <ul style="list-style-type: none"> <li><b>Colors:</b> Black, bone or gray</li> <li>Insert mold capability allows for custom molding without expensive tooling</li> </ul> |

Catalog Number	Length	Width	Height	Inside Depth	PCB Bosses		Graphic Overlay Case		Graphic Overlay Base	
	A	B	C	D	E1	E2	F1	F2	G1	G2
KT-35	2.500	1.625	0.800	0.614	1.875 X 1.000		1.530 X 1.280		1.280 X 1.030	
KT-40	2.750	2.000	0.800	0.614	2.125 X 1.375		1.780 X 1.530		1.280 X 1.030	
* KT-45	3.520	1.770	0.735	0.535	2.940		2.500 X 1.440		1.750 X 1.250	
** KT-70	5.500	2.000	0.815	0.614	4.880 X 1.375		3.780 X 1.530		1.780 X 1.030	

Dimensions are nominal and in inches

\*Recessed, smooth style has ribbon cable slot

\*\*PC board mounting bosses are a no-cost option

Mounting boss screws are available for purchase (4-24 x 1/4 inch thread forming screw) Bag of 100,

Enclosure includes case, base and screws for enclosure assembly

WHEN ORDERING, PLEASE SPECIFY:

1. Catalog Number
2. Case Style – Flush, textured or 0.030" recessed, smooth area
3. Mounting Boss Screws – Specify Yes or No
4. Color – Black, Bone or Gray