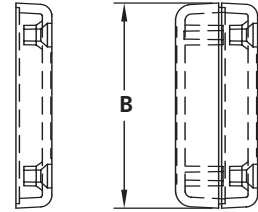
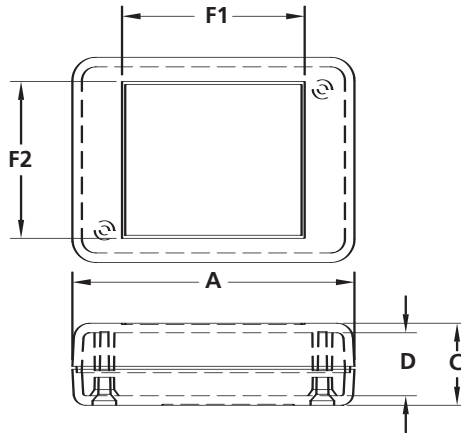
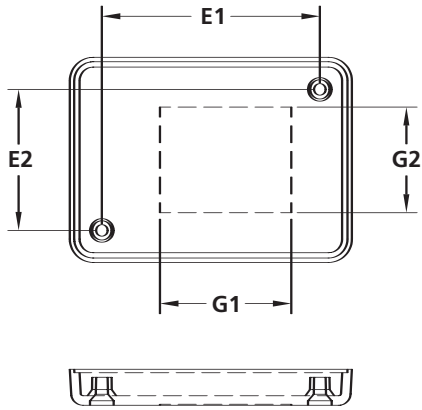
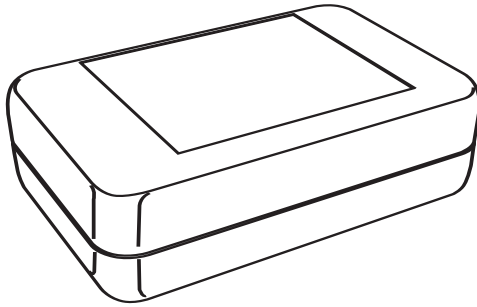




Order On Line
www.policase.com
sales@policase.com
800-248-1233
 Fax: 440-934-0088

PLASTIC ENCLOSURES FOR ELECTRONICS

KT Product Features



- | Material | Design | Additional Info |
|---|---|--|
| <ul style="list-style-type: none"> Material: Flame retardant ABS plastic Flame Rating: UL94V-0 Surface: Textured finish | <ul style="list-style-type: none"> PC Board Mounting: Unique design captures your PC board between screw towers and locks it into place when case is screwed together. KT-70 has optional mounting bosses. Closure: Case screws onto base Case Styles: Two styles – area on case surface may be flush, textured or 0.030" recessed, smooth area for graphic overlays or membrane keypads. KT-45 has a recessed, textured area or an optional recessed, smooth area with a ribbon cable slot Base: Recessed area for labeling I.D. | <ul style="list-style-type: none"> Colors: Black, bone or gray Insert mold capability allows for custom molding without expensive tooling |

Catalog Number	Length	Width	Height	Inside Depth	PCB Bosses		Graphic Overlay Case		Graphic Overlay Base	
	A	B	C	D	E1	E2	F1	F2	G1	G2
KT-35	2.500	1.625	0.800	0.614	1.875 X 1.000		1.530 X 1.280		1.280 X 1.030	
KT-40	2.750	2.000	0.800	0.614	2.125 X 1.375		1.780 X 1.530		1.280 X 1.030	
* KT-45	3.520	1.770	0.735	0.535	2.940		2.500 X 1.440		1.750 X 1.250	
** KT-70	5.500	2.000	0.815	0.614	4.880 X 1.375		3.780 X 1.530		1.780 X 1.030	

Dimensions are nominal and in inches

*Recessed, smooth style has ribbon cable slot

**PC board mounting bosses are a no-cost option

Mounting boss screws are available for purchase (4-24 x 1/4 inch thread forming screw) Bag of 100,

Enclosure includes case, base and screws for enclosure assembly

WHEN ORDERING, PLEASE SPECIFY:

1. Catalog Number
2. Case Style – Flush, textured or 0.030" recessed, smooth area
3. Mounting Boss Screws – Specify Yes or No
4. Color – Black, Bone or Gray