



## INSTRUMET 19" CASES

- [Home Page](#)
- [E-Mail Us](#)
- [Catalog PDF](#)
- [Get a Catalog](#)
- [Get a Drawing](#)
- [Get a Price](#)
- [Get a Quote](#)
- [Customizing](#)
- [IP Ratings](#)
- [Color Chart](#)
- [Ordering Info](#)
- [800 965 9872](#)
- [412 220 9247](#)

**FEATURES:**

- Modern aluminum 19" instrument cases
- Light weight yet robust construction
- Conforms to DIN 41494 & IEC 297-1
- Designed to accept standard 3U x 19" subracks, chassis and front panels
- Attractive design with die-cast front and rear bezels and fabricated case body
- Two versions, in three sizes
- Standard models with ABS side handles
- Portable models with tilt/swivel aluminum carry handle bar
- Supplied fully assembled and ready to use
- Internal subrack/chassis support rails
- Removable rear panel included
- Ventilation holes in base and rear panels
- Three M4 earth studs provided inside
- Molded ABS non-slip tilt feet included
- Anodized 10.5"/19" front panels available as accessories

**MATERIAL:**

- Aluminum

**PROTECTION CLASS:**

- < IP 40 (Not rated)

**STANDARD COLOR:**

- Front bezel - window gray, RAL 7040
- Case body - light gray, RAL 7035 (powder polyester paint)

**SUPPLY:**

1. Front/rear bezel (x2)
2. Top cover
3. Base panel
4. Rear panel
5. Chassis support
6. ABS Side handle
7. Aluminum carry handle
8. ABS tilt feet
9. M4 x 10 mm (x8)  
M4 x 12 mm (x4)
10. M3 x 8 mm (x12)

**ACCESSORIES:**

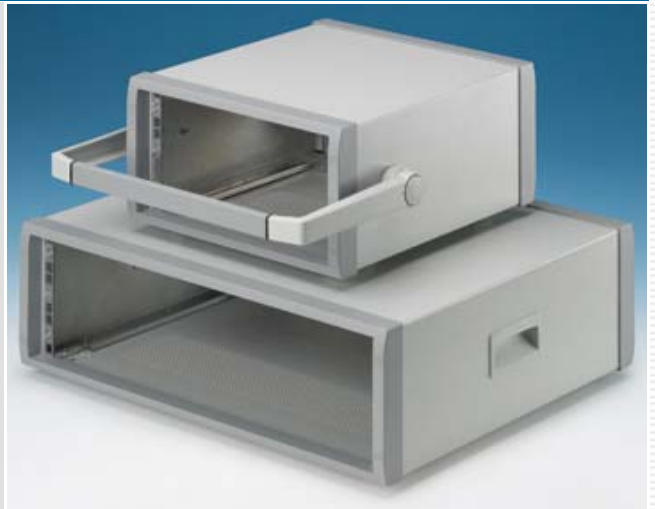
- 10.5" & 19" Front panels
- 19" Subrack/Panel Mounting Kit

**APPLICATIONS:**

- 19" subrack or chassis based electronics such as test and measurement equipment, networking and communications devices, industrial computers, sound and studio systems, laboratory instruments and industrial control systems

[Switch To Metric Dimensions](#)

[Printable Page](#)



Modern 19" Instrument Cases



Subrack Mounting



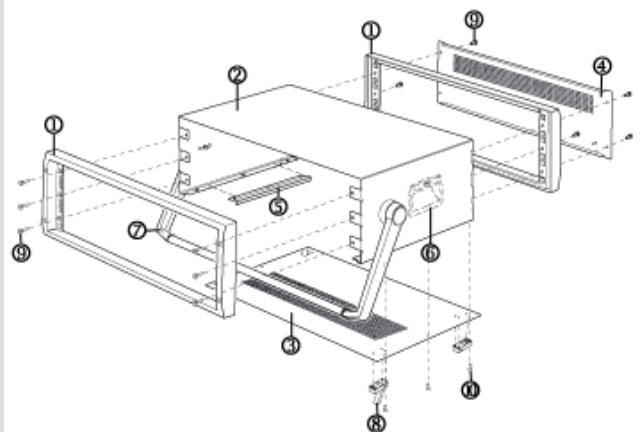
Carry Handle Bar





ABS Tilt Feet



Accessory Front Panels



## INSTRUMET 10.5"

									
Part # Standard Model		Part # Portable Model		Type	H	W	D	Metric Drawings	
M6010305		\$		3U x 10.5"	6.181"	11.929"	13.779"	<a href="#">PDF</a>	<a href="#">DWG</a>
		M6010315		\$	3U x 10.5"	6.181"	11.929"	13.779"	<a href="#">PDF</a> <a href="#">DWG</a>

INSTRUMET 19"									
									
Part # Standard Model		Part # Portable Model		Type	H	W	D	Metric Drawings	
M6019305		\$		3U x 19"	6.181"	11.929"	13.779"	<a href="#">PDF</a>	<a href="#">DWG</a>
		M6019315		\$	3U x 19"	6.181"	11.929"	13.779"	<a href="#">PDF</a> <a href="#">DWG</a>
M6019325		\$		3U x 19"	6.181"	20.433"	17.716"	<a href="#">PDF</a>	<a href="#">DWG</a>
		M6019335		\$	3U x 19"	6.181"	20.433"	17.716"	<a href="#">PDF</a> <a href="#">DWG</a>

ACCESSORIES							
							
For case..		Part # Aluminium Front Panel	Part # Subrack/Front Panel Mtg Kit*	Metric Drawings			
3U x 10.5"		M6010001	\$	<a href="#">PDF</a>	<a href="#">DWG</a>		
3U x 19"		M6019001	\$	<a href="#">PDF</a>	<a href="#">DWG</a>		
All			M6000035	\$			
<b>Notes:</b>							
* Front Panel Kit - Anodized front panel							
* 19" Subrack/Front Panel Mounting Kit - 4 M6 caged nuts, 4 M6 Screws & 4 ABS plastic washers. (ligh gray)							

 [Printable Page](#)



Customizing

Tel: (800) 965 9872 Last Updated: 05-Mar-2008 ©OKW Enclosures, Inc. USA. All rights reserved.