

JB Series



Click to enlarge

Download this page in PDF format.

Download detailed engineering drawings in PDF format.



VIEW CART

Features

Surface: Textured finish

Material: Flame retardant ABS plastic

Flame Rating: UL's best flame rating of 94-5VA

PC Board Mounting: Case and base include 6 PC board mounting bosses each

Closure: Screw-on

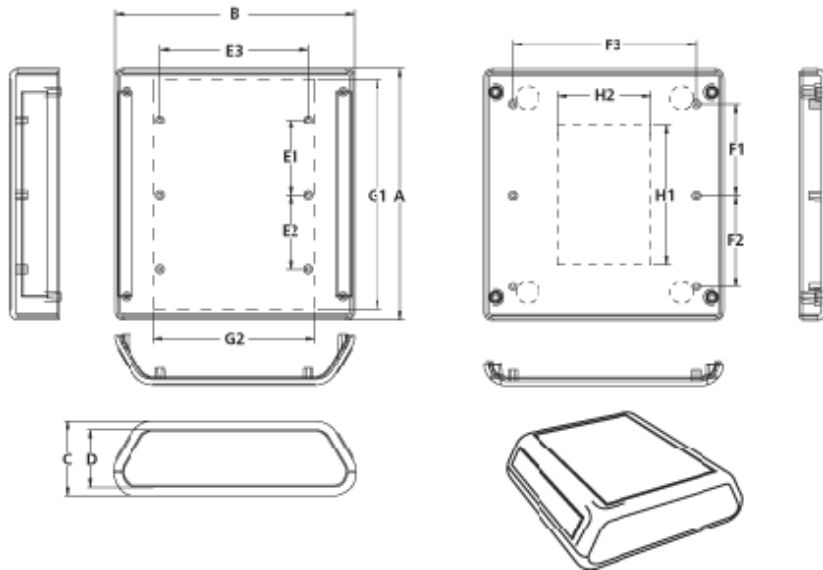
Case: Two styles- flush, textured or 0.030" recessed, smooth area for graphic overlays or membrane keypads

Base: Recessed area for labeling I.D. Four recessed areas for optional rubber feet.

End Panels: Removable end panels are easily modified for switches, displays and connectors

Insert mold capability allows for custom molding without expensive tooling.

Engineering Drawing



Plastic Electronic Enclosure

JB SERIES

Catalog Number	Length	Width	Height	Inside Depth	PCB Bosses Case			PCB Bosses Base			PCB Boss Height	Graphic Overlay Case		Graphic Overlay Base	
	A	B	C		D	E1	E2	E3	F1	F2		F3	G1	G2	H1
JB-35	5.000	3.800	1.500	1.270	1.625 X 1.625 X 1.750			1.750 X 1.750 X 2.500			0.250	4.530 X 2.030		3.030 X 2.030	
JB-55	5.500	5.250	1.630	1.400	1.625 X 1.625 X 3.250			2.000 X 2.000 X 4.000			0.250	5.030 X 3.530		3.030 X 2.030	
JB-65	6.750	6.250	1.630	1.400	2.250 X 2.250 X 4.250			2.625 X 2.625 X 5.000			0.250	6.290 X 4.530		3.030 X 2.030	

Enclosure includes case, base, end panels and screws for enclosure assembly
 Dimensions are nominal and in inches.
 Mounting boss screws are available for purchase (4-24 x 1/4 inch thread forming screw)