

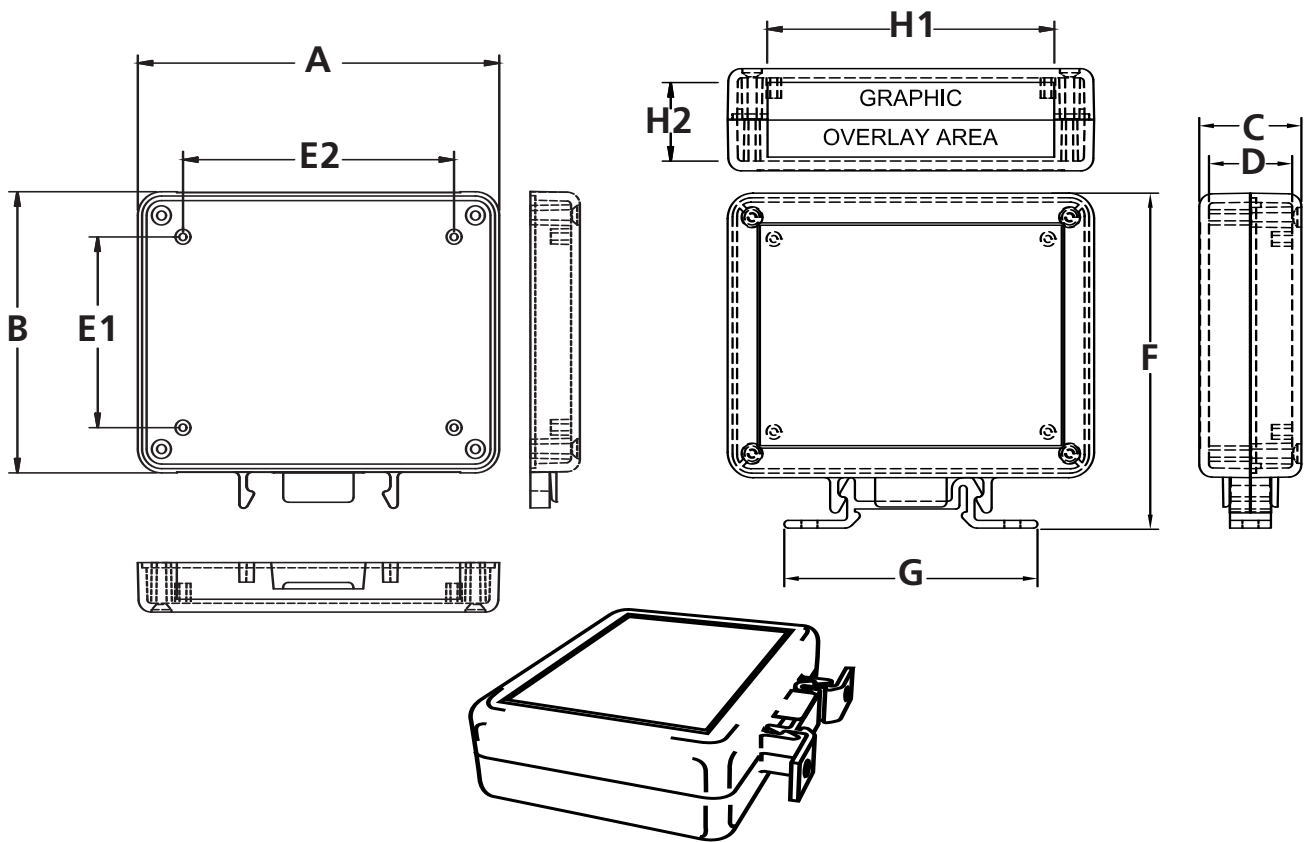


Order On Line
www.policase.com
sales@policase.com
800-248-1233
 Fax: 440-934-0088

PLASTIC ENCLOSURES FOR ELECTRONICS

EK Product Features

Material	Design	Additional Info
<ul style="list-style-type: none"> • Material: Flame retardant ABS plastic • Flame Rating: UL's best flame rating of 94-5VA (EK with recessed cover option, UL94V-0) • Surface: Textured finish 	<ul style="list-style-type: none"> • PC Board Mounting: Four PC board mounting bosses in the base • Closure: Case screws on to base • DIN Rail Mounting: Patented versatile clip snaps onto DIN rail or may be screwed down for panel/wall mounting. Fits DIN-35 rail. • Labeling Area: Recessed, smooth area for labeling I.D. is in full view when mounted 	<ul style="list-style-type: none"> • Colors: Black, bone or gray



Catalog Number	Length	Width	Height	Inside Depth	PCB Bosses		Mtg. Boss Height	Mtg. Depth	Mtg. Flange Width	Graphic Overlay	
	A	B	C		D	E1				E2	F
EK-50MBT	4.500	3.500	1.250	1.030	2.375 X 3.375		0.250	4.100	3.125	3.530 X 0.920	

Dimensions are nominal and in inches

Mounting boss screws are available for purchase (4-24 x 1/4 inch thread forming screw) Bag of 100, \$2.50

Enclosure clip fits a DIN-35 rail

Enclosure includes case, base, clip and screws for enclosure assembly
WHEN ORDERING, PLEASE SPECIFY:

1. **Catalog Number**
2. **Mounting Boss Screws** – Specify Yes or No
3. **Color** — Black, Bone or Gray