

DC Series



Click to enlarge



VIEW CART

Features

Surface: Textured finish

Material: Flame retardant ABS plastic

Flame Rating: UL's best flame rating of 94-5VA. (DC-34, 44, 46 & 47, with recessed cover option, UL94V-0)

PC Board Mounting: Four PC board mounting bosses in the base (DC-43, DC-44, DC-46, DC-47). DC-58 & DC-96 have 8 mounting bosses in the base. DC-85 has 8 mounting bosses in the base plus 6 in the cover.

Mounting Flanges: Available with or without mounting flanges

Closure: Screw into threaded brass inserts for continuous cover on/cover off applications

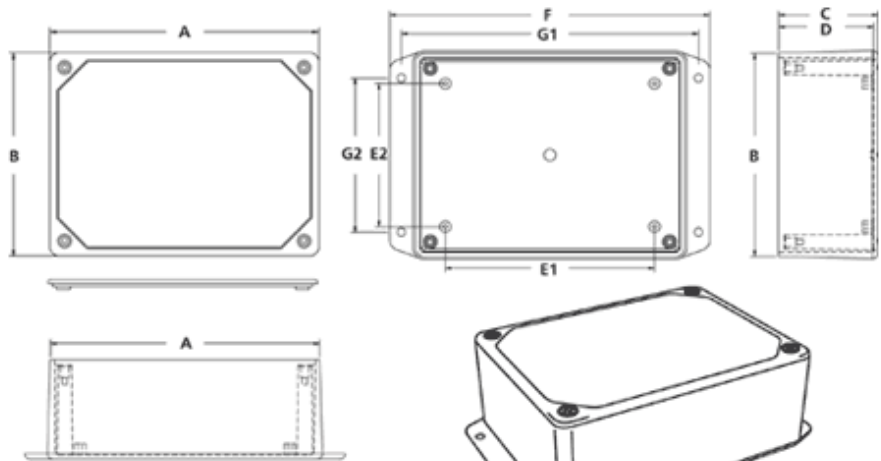
Cover: Two styles - flush, textured or recessed, smooth area for graphic overlays or membrane keypads. Recessed covers are also available in clear*

Gasket: DC-58 & 85 have an optional rubber gasket for moisture and dust resistance

Insert mold capability allows for custom molding without expensive tooling.

*Clear covers may require a minimum order quantity

Engineering Drawing



DC-85



Plastic Electronic Enclosure

DC SERIES

Catalog Number	Length	Width	Height	Inside Depth	PCB Bosses		PCB Boss Height	Mtg. Flange Length	Mtg. Flange Holes				
	A	B	C		D	E1		E2	F	G1			
DC-34P	4.610	3.100	1.770	1.670	3.250 X 1.750		0.250						
DC-34F	4.610	3.100	1.770	1.670	3.250 X 1.750		0.250	5.770	5.250 X 2.250				
DC-44P	4.620	4.620	2.255	2.155	3.250 X 3.250		0.250						
DC-44F	4.620	4.620	2.255	2.155	3.250 X 3.250		0.250	5.775	5.250 X 3.500				
DC-46P	6.125	4.620	2.255	2.155	4.750 X 3.250		0.250						
DC-46F	6.125	4.620	2.255	2.155	4.750 X 3.250		0.250	7.285	6.750 X 3.500				
DC-47P	7.620	4.620	2.255	2.155	6.250 X 3.250		0.250						
DC-47F	7.620	4.620	2.255	2.155	6.250 X 3.250		0.250	8.790	8.250 X 3.500				

DC-58P	8.250	5.000	3.000	2.890	6.750 X 3.500	0.250					
DC-58F	8.250	5.000	3.000	2.890	6.750 X 3.500	0.250	9.375	8.875 X 3.375			
DC-85P	8.250	5.000	4.330	4.080	6.750 X 3.500	0.250					
DC-85F	8.250	5.000	4.330	4.080	6.750 X 3.500	0.250	9.375	8.875 X 3.375			
DC-96P	10.000	6.000	3.000	2.895	8.500 X 4.500	0.250					
DC-96F	10.000	6.000	3.000	2.895	8.500 X 4.500	0.250	11.400	10.750 X 4.000			

Dimensions are nominal and in inches
Mounting boss screws are available for purchase (4-24 x 1/4 inch thread forming screw)
Enclosure includes case, cover and screws for enclosure assembly

[Home](#) | [Products](#) | [Customize](#) | [Ordering](#) | [Contact Us](#) | [Press](#)

Designed by [Saremo, Inc.](#)