



## PSA-21R



### 20W INTERCHANGEABLE PLUG SERIES

#### Dimensions

Length: 100mm (3.9in)  
Height: 36mm (1.4in)  
Width: 63mm (2.5in)  
Weight: 260gm (9oz)

MODEL	DC OUTPUT VOLTAGE	LOAD	
		Min.	Max.
PSA-21R-033	3.3V	0A	3.0A
PSA-21R-050	5.0V	0A	3.0A
PSA-21R-090*	9.0V	0A	1.67A
PSA-21R-120	12V	0A	1.67A
PSA-21R-150	15V	0A	1.33A

PSA-21R-180	18V	0A	1.11A
PSA-21R-240	24V	0A	0.83A
US Plug: RPA	n/a	n/a	n/a
UK Plug: RPK	n/a	n/a	n/a
Europe Plug: RPE	n/a	n/a	n/a
Australia Plug: RPS	n/a	n/a	n/a
All 4 Plugs: RPKit	n/a	n/a	n/a



# 15-20 Watt Interchangeable Plug Series PSA21R Adapter with Loadsense™



## Features

- Double Insulated
- Class B EMI
- Loadsense™ at DC Plug
- Field Changeable Plugs
- Power On LED
- +2% Regulation (5-24VDC)

## Applications

- Peripherals
- Portable Equipment
- Gaming Machines
- Point of Sale Equipment
- Network Equipment

## Safety Approvals

- cUL 1950, Class II
- CE
- TUV EN60950
- AS/NZS3260 & 4417

## Mechanical Characteristics

- Dimensions:
- Length: 100mm (3.9in)
  - Width: 63mm (2.5in)
  - Height: 36mm (1.4in)
  - Weight: 260gm (9oz)

## Output Specifications

Model	DC Output Voltage	Load		Ripple(1) P-P (max)	Regulation(2)	
		Min.	Max.		Line	Load
PSA21R-033	3.3V	0A	3.0A	50mV	±1%	±3%
PSA21R-050	5.0V	0A	3.0A	50mV	±1%	±2%
PSA21R-090	9.0V	0A	1.67A	90mV	±1%	±2%
PSA21R-120	12V	0A	1.67A	120mV	±1%	±2%
PSA21R-150	15V	0A	1.33A	150mV	±1%	±2%
PSA21R-180	18V	0A	1.11A	180mV	±1%	±2%
PSA21R-240	24V	0A	0.83A	240mV	±1%	±2%

Clip ordered separately. US Plug: RPA; UK Plug: RPK; Europe Plug: RPE; Australia Plug: RPS;  
All 4 Plugs: RPKit.

(1) Measured at full load by using a 12 inch twisted pair terminated with a 10mfd capacitor and a 0.1mfd ceramic in parallel.

(2) No Load to Full Load, 1.8 meter (6ft) DC cord, measured at the plug.

**INPUT:****Rated Input Voltage**

100 to 240 VAC

**Operating Input Voltage**

90 to 264 VAC

**AC Input Frequency**

47 to 63Hz

**AC Input Current**

1.0Arms (120VAC)

0.5Arms (240VAC)

**AC Inrush Current (Cold)**

30A max. (120VAC)

60A max. (240VAC)

**Efficiency**

70% typical

**OUTPUT:****Hold-up Time**

16ms Full load, 115VAC

**Overvoltage Protection**

&gt;120%

**Short Circuit Protection**

Auto Restart

**ENVIRONMENTAL:****Operation Temperature**

0 to 40°C

**Storage Temperature**

-25 to +85°C

**Humidity**

10 to 90% RH (Non-condensing)

**Emissions**

FCC Class B

EN 55022 B

**Immunity**

EN 50082-1: 1997

61000-4-2, Level 3

61000-4-3, Level 2

61000-4-4, Level 2

61000-4-5, Level 3

61000-4-6, Level 3

61000-4-11

**GENERAL:****Leakage Current**

&lt;0.25mA (254VAC)

**Dielectric Withstand (Hipot)**

Input to Output

3000VAC, 1 min., 10mA

**Switching Frequency**

65KHz (12 to 24V)

100KHz (3.3 to 9V)

**MTBF (Full Load, 25°C)**

150K Hrs.

MIL-HDBK-217F

**Power On Indicator**

Green LED

**AC Input Plugs**

(Order Separately)

USA: RPA Europe: RPE

UK: RPK Australia: RPS

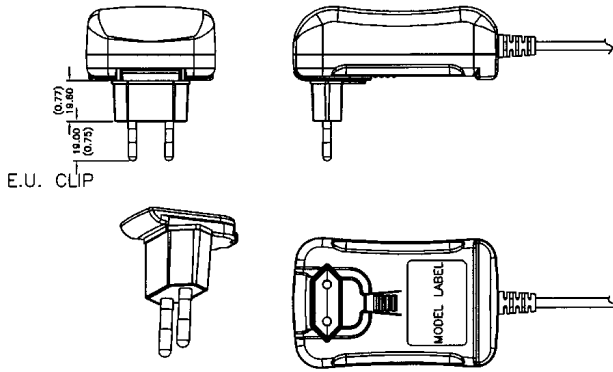
**DC Output Connector**

2.1mm x 5.5mm x 10mm Coaxial

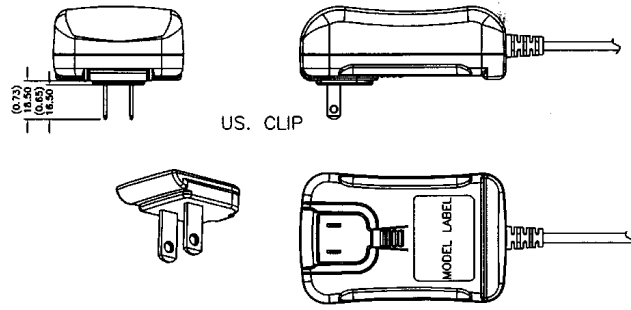
Plug; Center Positive Standard

PSA21R Dimension Diagram Unit: mm (inch)

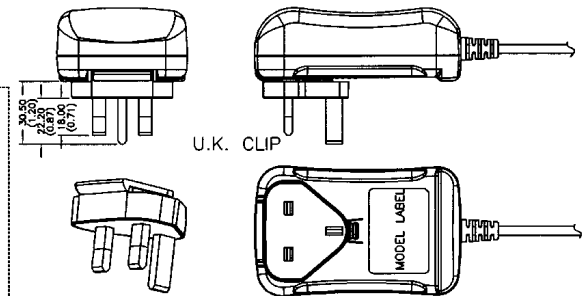
ASSEMBLY FROM HOUSING AND E.U. CLIP



ASSEMBLY FROM HOUSING AND US. CLIP



ASSEMBLY FROM HOUSING AND U.K. CLIP



AUST. CLIP ASSEMBLY FROM HOUSING AND AUST. CLIP

