

PATLITE

■ WM / 80mm Profile - Bulb Type

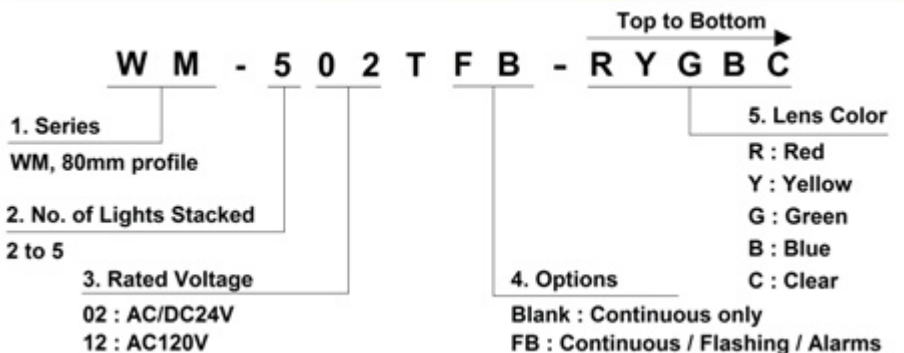


The WM Wall-Mount Series solves your space problems! This bulb-based model is designed for easy mounting to save you both time and money.



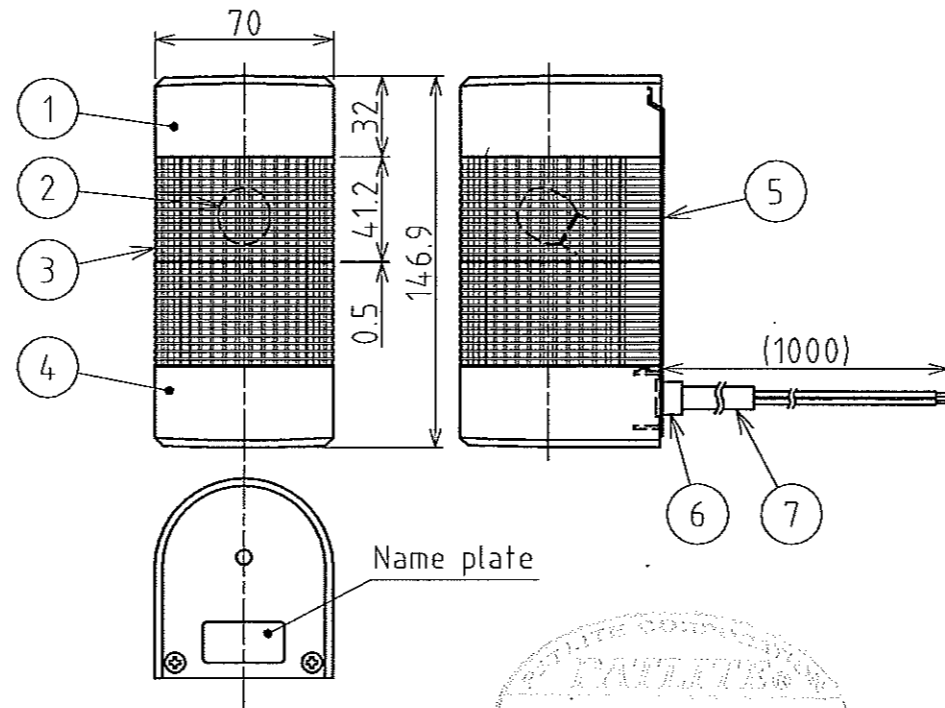
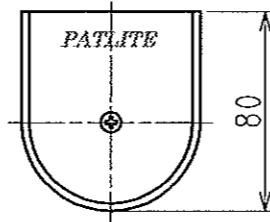
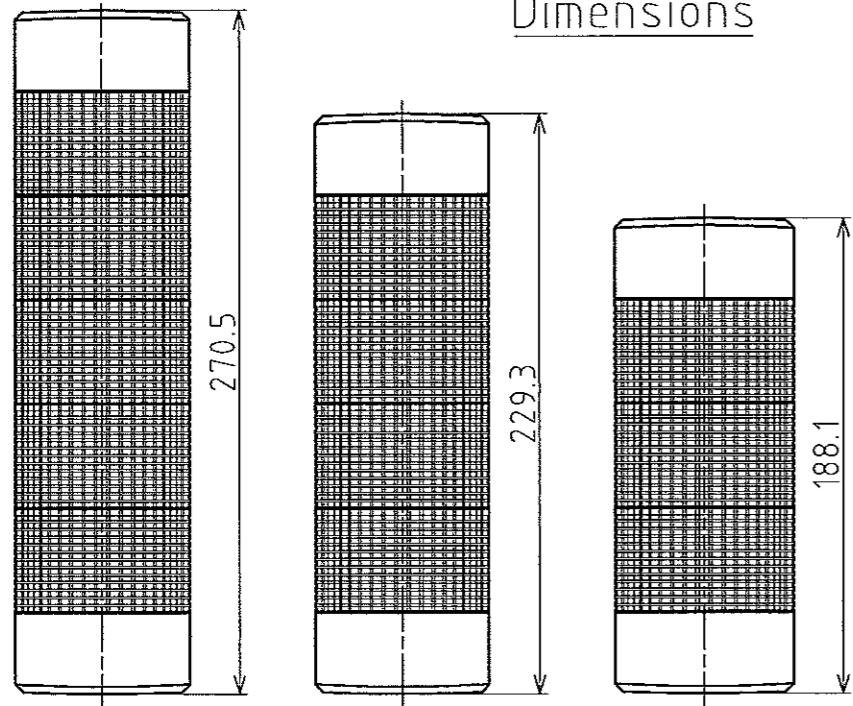
SIZE:	80mm profile
INPUT VOLTAGE	- AC/DC24V
OPTIONS:	- AC120V
FUNCTIONS	- Continuous only
AVAILABLE:	- Continuous, Flashing, Alarm
MOUNTING OPTIONS:	- Pre-assembled, pre-wired - Lenses are interchangeable - Not stackable after purchase
BODY STYLE:	Wall mount only: includes mounting bracket
BODY COLOR:	Beige
TIERS:	2, 3, 4 or 5 stack versions available
LENS COLORS:	Red / Amber / Green / Blue / Clear
ALARMS (FB STYLE ONLY):	One Alarm: selectable, alternating two-tone, 80dB (at 1m)
RATINGS:	- CE - UL Component Recognition (US) - UL Component Recognition (Canada)
PROTECTION:	IP-54
CONTROL OPTIONS:	- Dry contact closure such as switches or relay contacts - Open-collector transistor (NPN or PNP) for DC24V, - Direct voltage control for DC24V, continuous and alarm functions only

PART NUMBER GUIDE

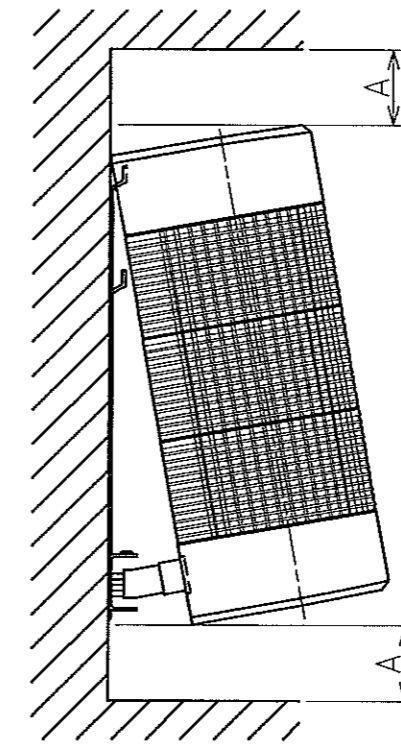


指定 公差 General Tolerance	角度公差 ± [°]		寸法公差 ± [mm]					符号 Sym.	年月日 Date	訂正履歴 Revisions	記印 Sgn.	検印 Chk.			
	短辺 長さ Length of short side	~	~	~	100	6	30	120	300	1000	△-				
	精	f	1	0.5	0.3	0.1	中	m	0.1	0.3	0.5	0.7	1	△-	
	粗	v	3	1.5	1	0.5	粗	c	0.3	0.5	1	1.2	2	△-	

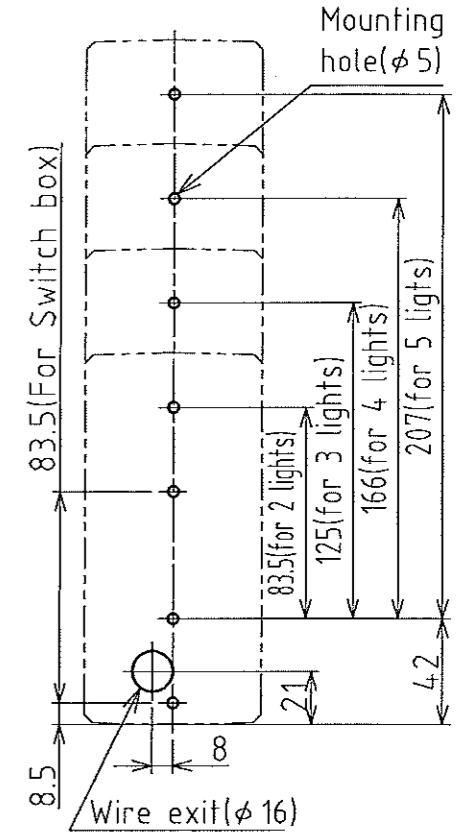
Dimensions



Mounting example



Mounting hole template



model No. configuration

WM-□□□T-□□□□□□

- Light style: 2:2 lights, 3:3 lights, 4:4 lights, 5:5 lights
- Rated voltage: 02:24V AC/DC, 12:120V AC, 23:230~240V AC
- UL standard
- LED unit color: (R:Red/Y:Amber/G:Green/B:Blue/C:White)
- Lens color top to base as layers



* Color of wires

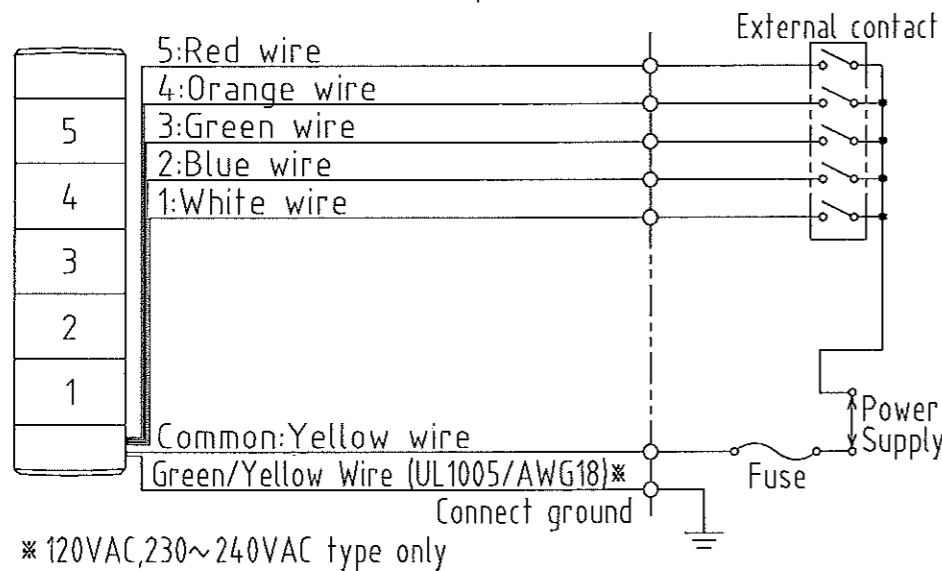
Light No.	Wire color			
5	Red	Orange	Green	Blue
4	Red	Orange	Green	Blue
3	Red	Orange	Green	Blue
2	Red	Orange	Green	Blue
1	Orange	Green	Blue	White
	2lights	3lights	4lights	5lights

[NOTE]

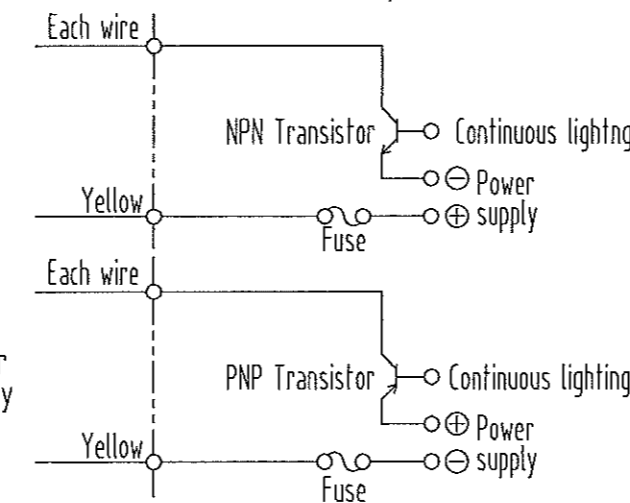
- Make sure end of unused wires are insulated by tape or any other suitable tape.
- After installation in a recessed wall, be sure to leave the enough space for screwdriver access as shown below.
- Use "Class II circuit" for the power supply source.
- Concerning fuse and fuse-holder, be sure to use the products authorized by UL Inc.
- Use the fuse conforming to the rated current of the machine which you install product. (Example: Class J type fuse)

Wiring example

A kind of wire: UL3398/AWG20 (Except for Green /Yellow wire)



External contact Transistor drive example (24V DC)



番号 No.	部品名 Part Name	品目コード Part No.	数量 Qty.	材料 & 寸法 & 処理 Material & Size & Finish	記事 Remarks
7	Vinyl tube	-	1	(Black)	
6	Wire bushing	-	1	(Black)	
5	Metal fitting	-	1	SPCC,t=1.2,MFZn-C Yellow zinc	
4	Bracket	-	1	PC (Light gray)	
3	Lense	-	Layers	PC (Red,Amber,Green Blue,White)	
2	Bulb	-	Layers		
1	Head cover	-	1	PC (Light gray)	

設計 Dgn.by	製図 Drn.by	検図 Chk.by	承認 App.by	図名 Name	機種名 Model	特注No. S.P.No.
M.Tsugita	Y.Nagayama	L.Chikaya	K.Kawashima	Specifications	WM-□□□T	
6.Aug.'01	9.Aug.'03	18.Aug.'03	18.Aug.'03	Dimensions	品目コード Part No.	
三角法 3rd Angle P.	単位 Unit mm	尺度 Scale 1:3	株式会社 PATLITE Corporation	図番 Drawing No.	WM-.T-A18A-2/2	

S P E C I F I C A T I O N S

Model	5lights	WM-502T	WM-512T	WM-523T	
	4lights	WM-402T	WM-412T	WM-423T	
	3lights	WM-302T	WM-312T	WM-323T	
	2lights	WM-202T	WM-212T	WM-223T	
Rated voltage		24V AC/DC (50/60Hz)	120V AC (50/60Hz)	230~240V AC (50/60Hz)	
Operating voltage		Rated voltage $\pm 10\%$			
Poerw consumption (Typica)		Per light			
		11 W	10 W	9 W	
Current consumption (Typica)		Per light			
		0.46 A	0.10 A	0.04 A	
Bulb		24V11W	140V130W	250V10W	
		T20/BA15D			
Operating tempera- ture range (Relative humidity)		- 10 °C ~ + 55 °C (Less than 90%)			
Mounting place		Indoor only			
Mounting direction		Upright & Horizontal			
Protection rating		IP54 (Please use silicon rubber or equivalent sealant between wall and bracket at thru hole.)			
Vibration proof		19.6 m/s ² (30Hz)			
Insulation resistance		* To be measured by an insulation measuring device of 500VDC between the terminals and the chassis. More than 1M Ω			
Dielectric voltage		* 500VAC(24VAC/DC type), 1000VAC(120VAC type), 1500VAC(230~240VAC type) being applied between the terminals and the chassis for 1 minute. Not braking insulation			
Luminous intensity	Red	1000mcd	900mcd	1300mcd	
	Yellow	2700mcd	2500mcd	3500mcd	
	Green	1400mcd	1300mcd	1900mcd	
	Blue	550mcd	500mcd	650mcd	
	Clear	3100mcd	3000mcd	4000mcd	
Mass		2lights 0.48 kg	3lights 0.60 kg	4lights 0.72 kg	
		5lights 0.84 kg			
No. WM-.T-A18A-1/2					
●Made in accordance with EN60958-1:1993 . ●Recognized as UL standard . (File No.E215660)					
PATLITE Corporation			App.by	Chk.by	Drn.by
			<i>S. Ramashrin</i> 18-Aug.'03	<i>S. Chikaya</i> 18-Aug.'03	<i>Y. Nagayama</i> 9.Aug.'03

