

PATLITE

WE, WEP / 37.5mm Profile



The WE / WEP Series are Ultra-Slim Signal Lights that offer seamless integration with equipment.



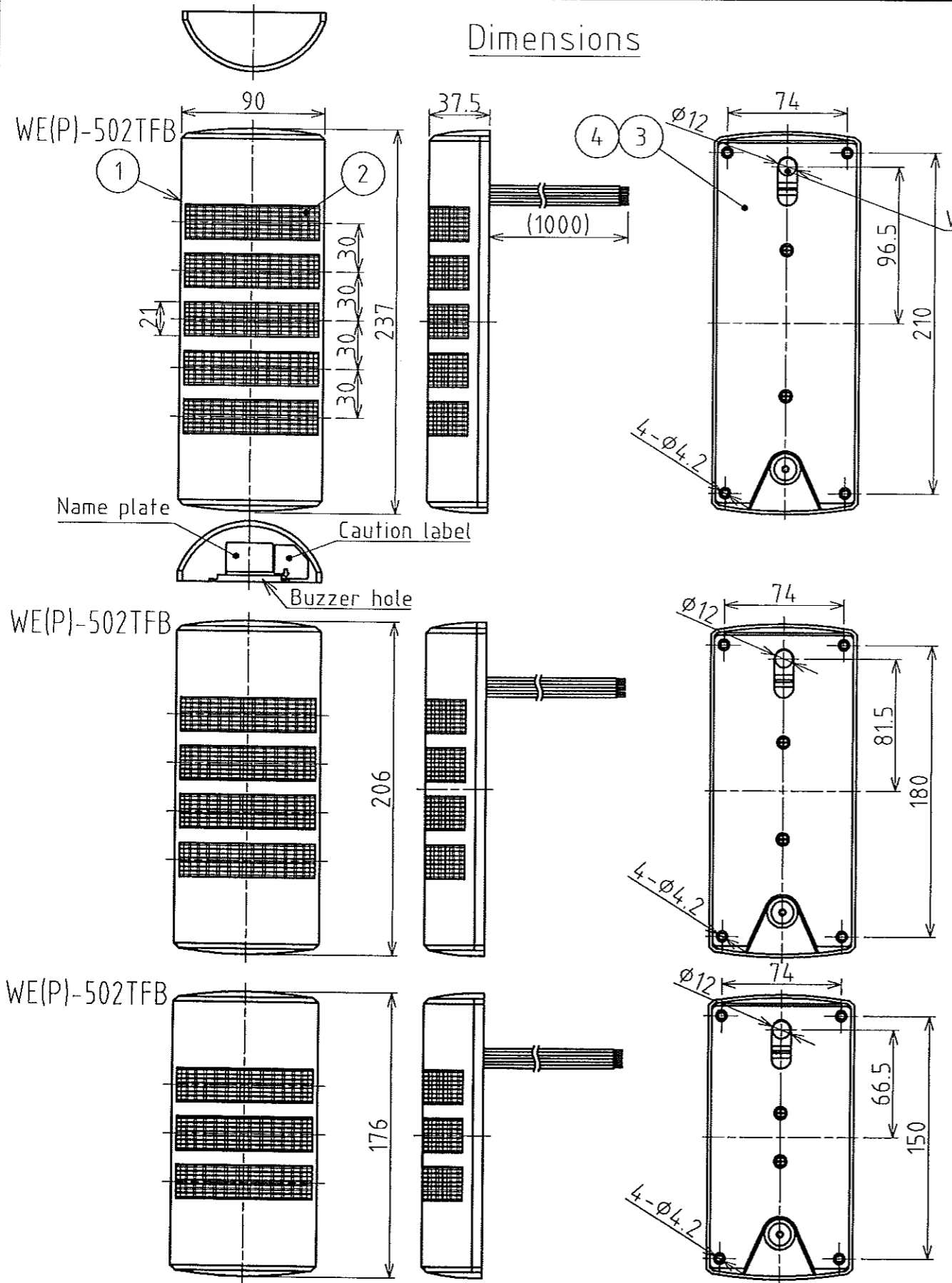
SIZE:	37.5mm profile
INPUT VOLTAGE	AC/DC24V
OPTIONS:	
FUNCTIONS	- Continuous only
AVAILABLE:	- Continuous, Flashing, Alarms
MOUNTING OPTIONS:	Wall mount only: includes 4 mounting screws
BODY STYLE:	Pre-assembled, pre-wired, not interchangeable or stackable after purchase
TIERS:	3, 4 or 5 stack versions available
MODULE COLORS:	Red / Amber / Green / Blue / Clear
ALARMS (FB STYLE ONLY):	- Alarm 1: selectable, single-tone, intermittent (fast beep) alarm, 90dB (at 1m) - Alarm 2: selectable, single tone, intermittent (slow beep) alarm, 90dB (at 1m)
RATINGS:	- CE - UL Component Recognition (US) - UL Component Recognition (Canada) - RoHS
PROTECTION:	- IP-65 (non-FB style) - IP-54 (FB style)
CONTROL OPTIONS:	- Dry contact closure such as switches or relay contacts - Open-collector transistor (NPN or PNP for DC24V, NPN for AC90-250V) - Direct voltage control for DC24V, continuous and alarm functions only

PART NUMBER GUIDE

W E P - 5 0 2 F B - R Y G B C	
1. Series WE, 37.5mm profile	6. LED Colors R : Red Y : Yellow G : Green B : Blue C : Clear
2. Cover Color None : Chrome P : Beige	5 Options Blank : Continuous only FB : Continuous / Flashing / Alarms
3. No. of Colors 3 to 5	
4. Rated Voltage 02 : AC/DC24V	

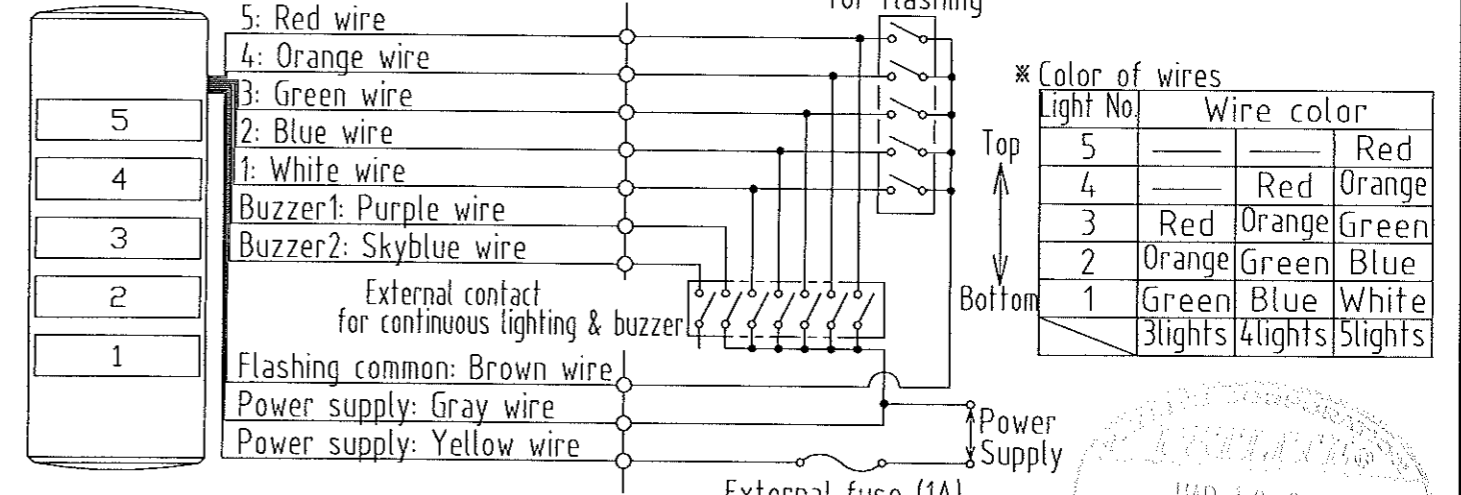
指定公差 General tolerance	角度公差 Angular tolerance ± [°]	寸法公差 Dimensional tolerance ± [mm]	符号 Sym.	年月日 Date	訂正履歴 Revisions	記印 Sgn.	検印 Chk.	承認 App.
短辺長さ Length of side	~ ~ ~ 100	6 30 120 300 1000	△-					
精 F	10 50 100	精 f 0.05 0.1 0.2 0.4 0.6	△-					
中 M	1 0.5 0.3 0.1	中 m 0.1 0.3 0.5 0.7 1	△-					
粗 C	3 1.5 1 0.5	粗 c 0.3 0.5 1 1.2 2	△-					

Dimensions



Wiring

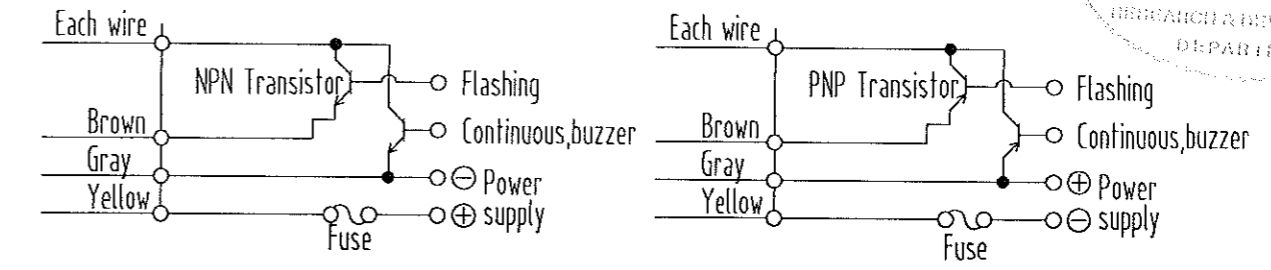
Wire type: UL1007/AWG22



* Color of wires

Light No.	Wire color
5	Red
4	Red Orange
3	Red Orange Green
2	Orange Green Blue
1	Green Blue White

Transistor drive (24V DC)

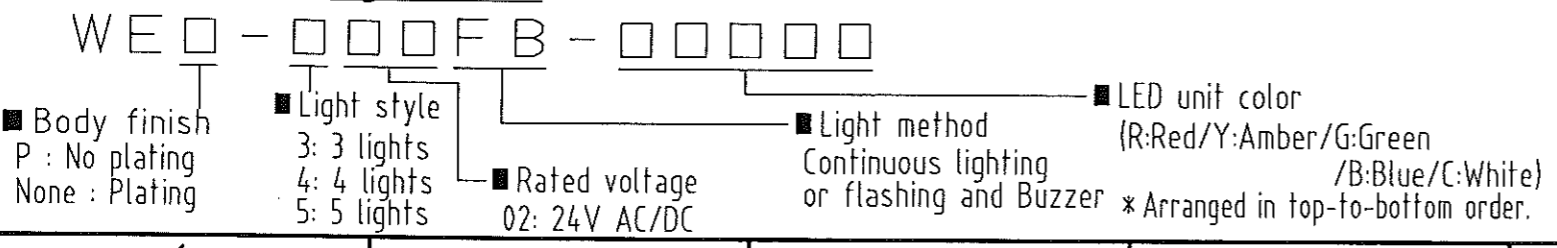


Note

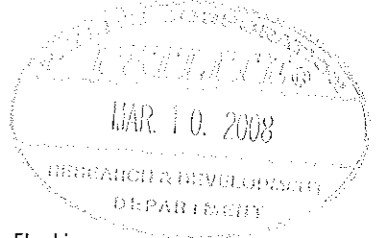
1. Insulate ends of unused wires by tape or any other suitable thing.
2. Use "Class 2 circuit" for the power supply source.
3. Concerning fuse and fuse-holder, use the products authorized by UL Inc.
4. Use the fuse conforming to the rated current of the machine on which the product is installed. (Example: Class J type fuse)
5. Two independent common lines are required for continuous lighting and flashing for a Programmable Controller and etc.
6. Do not contact flashing common and continuous lighting common with one LED unit simultaneously. Otherwise unexpected LED units may turn on. To avoid this, continuous lighting and flashing must be switched alternately.
7. Buzzer 1 takes precedence of buzzer 2 when they are in operation simultaneously.

4	Waterproof sheet	-	1	CR (Black)
3	Body	-	1	ABS (Light gray)
2	Lens	-	1	PC (Clear)
1	Cover	-	1	ABS (Light gray) Chromium plating(WE only)

Model No. configuration

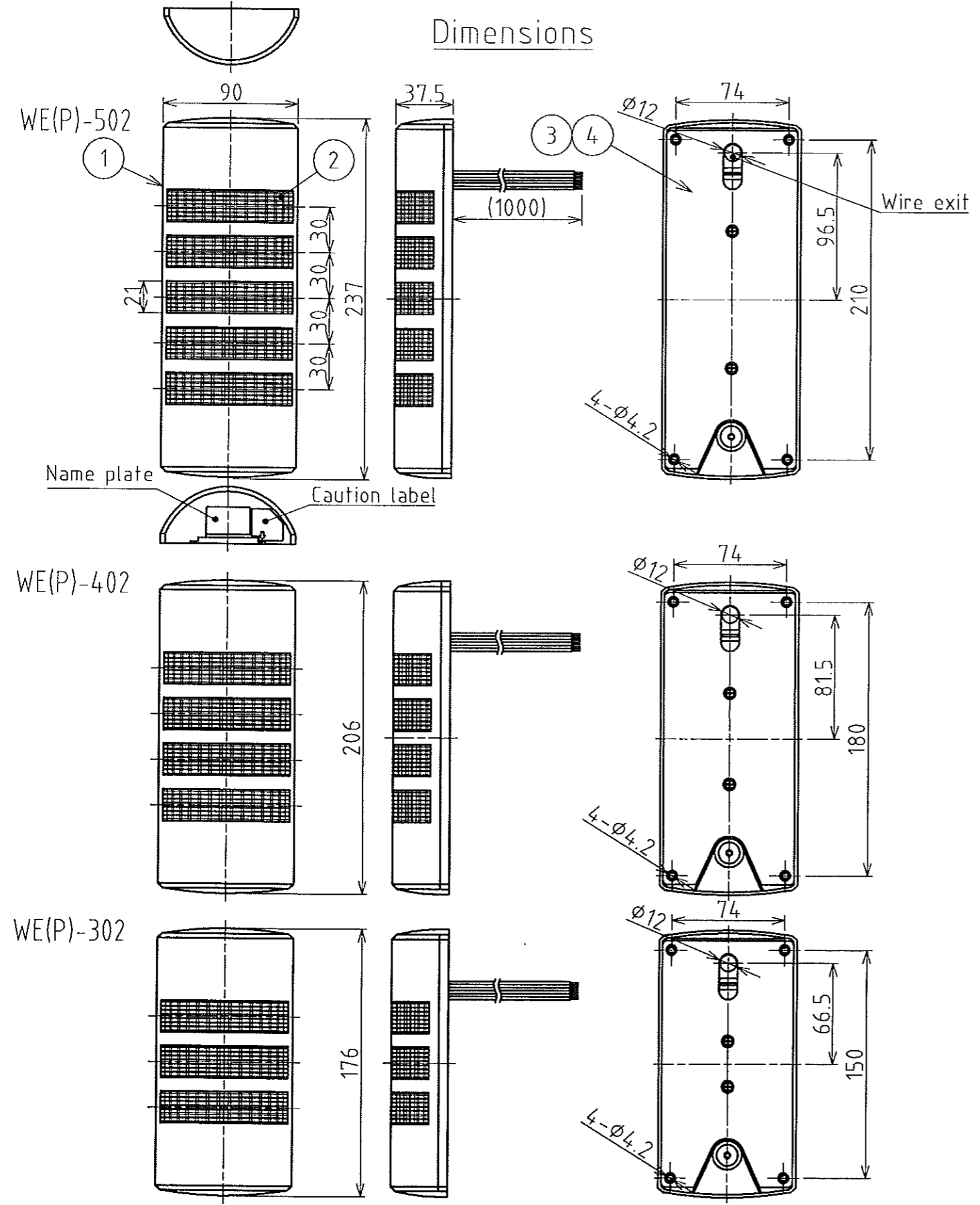


設計 Dgn.by	製図 Drn.by	検図 Chk.by	承認 App.by	図名 Name	機種名 Model	特注No. S.P.No.
A.Ikeda	Y.Nagayama			Specifications	WE(P)-□ 02FB	
13.Dec.'99	5.Mar.'08			Dimensions	品目コード Part No.	
三角法 3rd Angle P.	単位 Unit mm	尺度 Scale		株式会社 PATLITE Corporation	図番 Drawing No.	WE-502FB-A18A-2/2



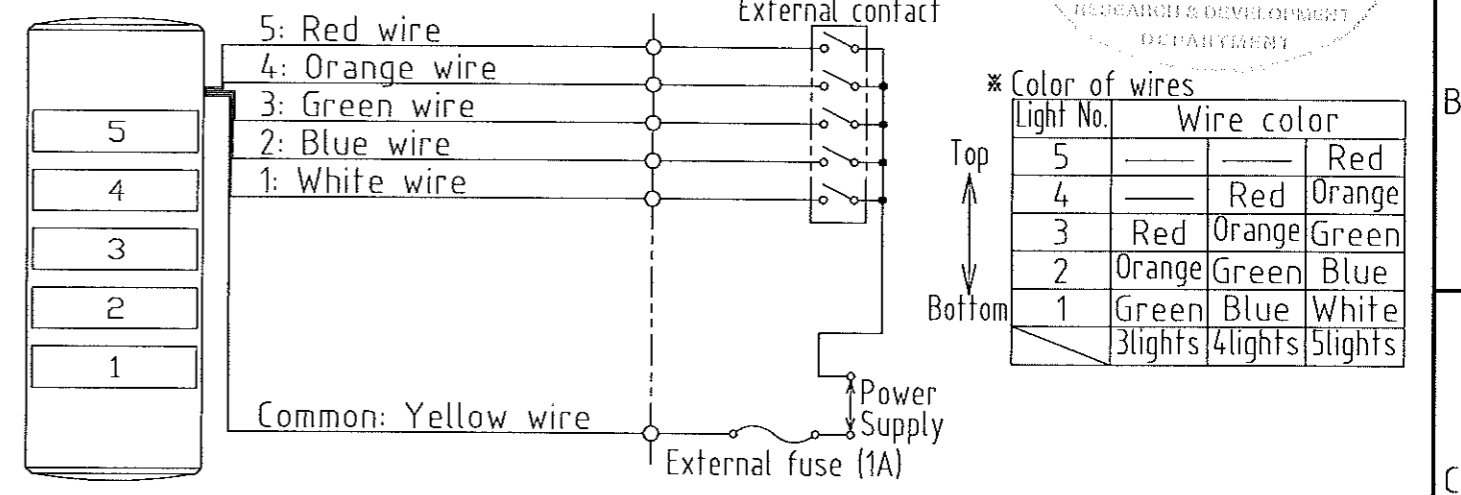
指定公差 Angular tolerance 短辺長 Length of short side 一般公差 General tolerance	角度公差 ± [°] ~ ~ ~ 100 10 50 100 1 0.5 0.3 0.1 3 1.5 1 0.5	寸法公差 ± [mm] Dimensional tolerance 6 30 120 300 1000 精 f 0.05 0.1 0.2 0.4 0.6 中 m 0.1 0.3 0.5 0.7 1 粗 c 0.3 0.5 1 1.2 2	符号 Sym.	年月日 Date	訂正履歴 Revisions	記印 Sgn.	検印 Chk.	承認 App.
---	--	---	------------	-------------	-------------------	------------	------------	------------

Dimensions

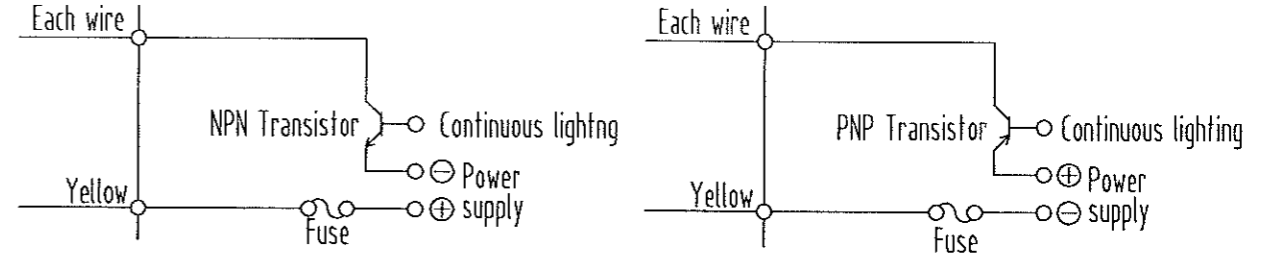


Wiring

Wire type: UL1007/AWG22



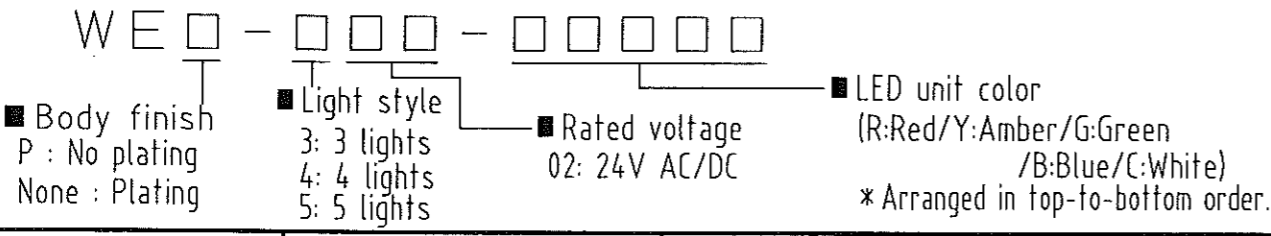
Transistor drive (24V DC)



Note

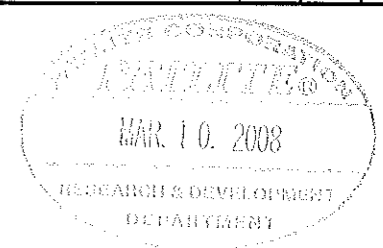
1. Insulate ends of unused wires by tape or any other suitable thing.
2. Use "Class 2 circuit" for power supply source.
3. Concerning fuse and fuse-holder, use the products authorized by UL Inc.
4. Use the fuse conforming to the rated current of the machine on which the product is installed. (Example: Class J type fuse)

Model No. configuration



4	Waterproof sheet	-	1	CR (Black)	
3	Body	-	1	ABS (Light gray)	
2	Lens	-	1	PC (Clear)	
1	Cover	-	1	ABS (Light gray) Chromium plating(WE only)	

番号 No.	部品名 Part Name	品目コード Part No.	数量 Qty.	材料 & 寸法 & 処理 Material & Size & Finish	記事 Remarks
設計 Dgn.by	製造 Drn.by	検閲 Chk.by	承認 App.by	図名 Name	規格名 Model
A.Ikeda	Y.Nagayama			Specifications	WE(P)-□02
13.Dec.'99	5.Mar.'08			Dimensions	品目コード Part No.
三角法 3rd Angle P.	単位 Unit mm	尺度 Scale		株式会社 パトライト PATLITE Corporation	図番 Drawing No. WE-502-A18A-2/2

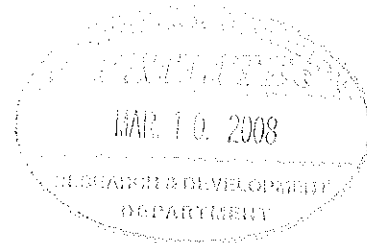


SPECIFICATIONS

Model	5 lights	WE-502			WEP-502	
	4 lights	WE-402			WEP-402	
	3 lights	WE-302			WEP-302	
Surface of cover		Chromium plating			Not plating (Light gray)	
Rated voltage		24V AC/DC (50/60Hz)				
Operating voltage		Rated voltage \pm 10%				
Current consumption		Per light				
		Red	Amber	Green	Blue	White
		Typ. 24 mA			17 mA	
		Max. 28 mA	27 mA	23 mA		
Operating temperature range (Relative humidity)		- 30°C ~ + 60°C (Less than 90%)				
Mounting place		Indoor only				
Mounting direction		Upright, Updown, Sideways				
Protection rating		IP65				
Vibration proof		19.6 m/s ² (30Hz)				
Insulation resistance		To be measured by an insulation measuring device of 500VDC between the terminals and the chassis. More than 1M Ω				
Withstand voltage		500VAC being applied between the terminals and the chassis for 1 minute. Not braking insulation				
Luminous intensity		Red	Amber	Green	Blue	White
		600 mcd or more	800 mcd or more	2000 mcd or more	600 mcd or more	1800 mcd or more
Mass		3 lights		4 lights		5 lights
		0.30 kg		0.33 kg		0.35 kg

No. WE-502-A18A-1/2

- This product confirms to the CE requirements and CE Marking is indicated.
- Recognized as UL standard. (Standard No.UL508, File No. E215660)
- This product complies with the RoHS Directive(DIRECTIVE 2002/95/EC)



PATLITE Corporation	App.by	Chk.by	Drm.by
	<i>P. V. Anju</i> 6 Mar '08	/	<i>V. Hegde</i> 5 Mar '08

SPECIFICATIONS

Model	5 lights	WE-502FB			WEP-502FB		
	4 lights	WE-402FB			WEP-402FB		
	3 lights	WE-302FB			WEP-302FB		
Surface of cover		Chromium plating			Not plating (Light gray)		
Rated voltage		24V AC/DC (50/60Hz)					
Operating voltage		Rated voltage±10%					
Current consumption	Typ.	Per light					Buzzer
		Red	Amber	Green	Blue	White	
		24 mA		17 mA			
	Max.	28 mA	27 mA	23 mA		50 mA (Rush current : 250mA)	
Operating temperature range (Relative humidity)		- 30°C ~ + 60°C (Less than 90%)					
Mounting place		Indoor only					
Mounting direction		Upright, Updown, Sideways					
Protection rating		IP54 (Mounting direction : Upright)					
Vibration proof		19.6 m/s ² (30Hz)					
Insulation resistance		To be measured by an insulation measuring device of 500VDC between the terminals and the chassis. More than 1MΩ					
Withstand voltage		500VAC being applied between the terminals and the chassis for 1 minute. Not braking insulation					
Flashing cycle		60±12 flashes per minute					
Buzzer	Sound level	90dB (at 1m)					
	Tone	Buzzer1 : pipipi Buzzer2 : beep beep					
Luminous intensity	Red	Amber	Green	Blue	White		
	600 mcd or more	800 mcd or more	2000 mcd or more	600 mcd or more	1800 mcd or more		
Mass	3 lights		4 lights		5 lights		
	0.30 kg		0.33 kg		0.35 kg		
No. WE-502FB-A18A-1/2 ● This product confirms to the CE requirements and CE Marking is indicated. ● Recognized as UL standard. (Standard No.UL508, File No. E215660) ● This product complies with the RoHS Directive(DIRECTIVE 2002/95/EC)							
PATLITE Corporation				App.by	Chk.by	Drn.by	
				<i>H. Enji</i> 6 Mar. '08	/	<i>N. Ogawa</i> 5 Mar. '08	

