

# PATLITE

## ■ LME-L / 60mm



The LME-L Series, with a steel pole, provides the latest in LED technology.



Steel pole option replaces aluminum pole!

<b>SIZE:</b>	60mm diameter
<b>INPUT VOLTAGE</b>	- AC/DC24V
<b>OPTIONS:</b>	- AC120V
<b>FUNCTIONS</b>	- Continuous only
<b>AVAILABLE:</b>	- Continuous, Flashing, Alarms
<b>MOUNTING OPTIONS:</b>	- Pole mount: with 300mm steel pole, SZ-013 angle bracket, 2 nuts, 2 washers
<b>BODY STYLE:</b>	- Pre-assembled, pre-wired, - Interchangeable and stackable after purchase
<b>BODY COLOR:</b>	Beige
<b>TIERS:</b>	1-5 modules can be stacked
<b>MODULE COLORS:</b>	Red / Amber / Green / Blue / Clear
<b>ALARMS (FB STYLE ONLY):</b>	- Alarm 1: selectable, single-tone, intermittent (fast beep) alarm, 85dB (at 1m) - Alarm 2: selectable, single tone, intermittent (slow beep) alarm, 85dB (at 1m)
<b>RATINGS:</b>	- CE - <a href="#">UL Component Recognition (US)</a> - <a href="#">UL Component Recognition (Canada)</a> - RoHS
<b>PROTECTION:</b>	IP-54
<b>CONTROL OPTIONS:</b>	- Dry contact closure such as switches or relay contacts - Open-collector transistor (NPN or PNP for DC24V, NPN for AC120V) - Direct voltage control for DC24V, continuous and alarm functions only

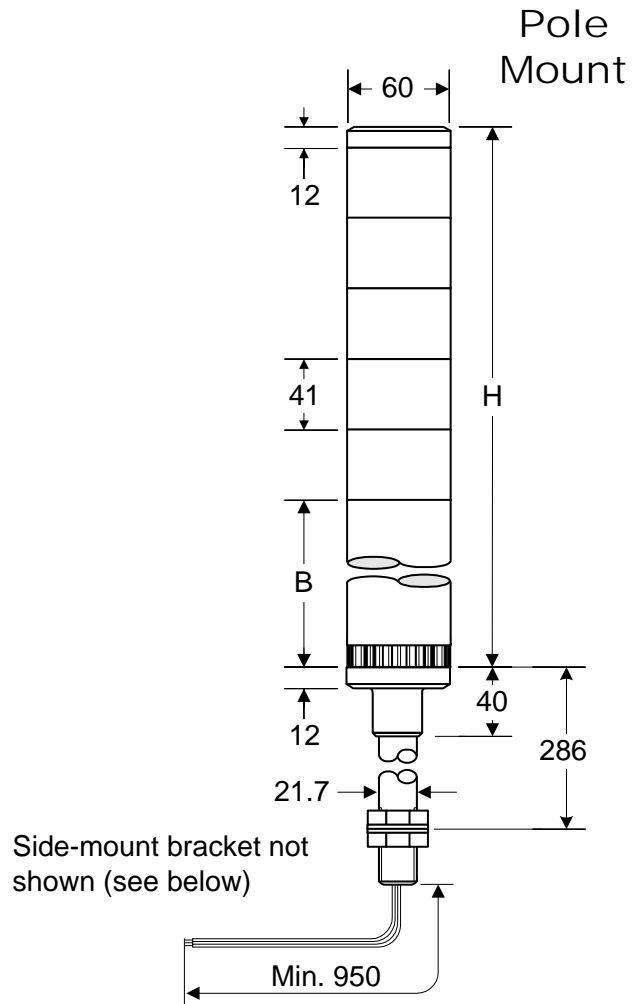
### PART NUMBER GUIDE

<p style="text-align: right;">Top to Bottom →</p> <p style="text-align: center;"><b>L M E - 5 0 2 F B L - R Y G B C</b></p>	
<p><b>1. Series</b> LME : 60mm diameter</p> <p><b>2. No. of Modules Stacked</b> 1 to 5</p> <p><b>3. Rated Voltage</b> 02 : AC/DC24V 12 : AC120V</p>	<p><b>4. Options</b> Blank : Continuous only FB : Continuous / Flashing / Alarms</p> <p><b>5. Pole Options</b> L : Steel pole</p> <p><b>6. Lens Color</b> R : Red Y : Yellow G : Green B : Blue C : Clear</p>

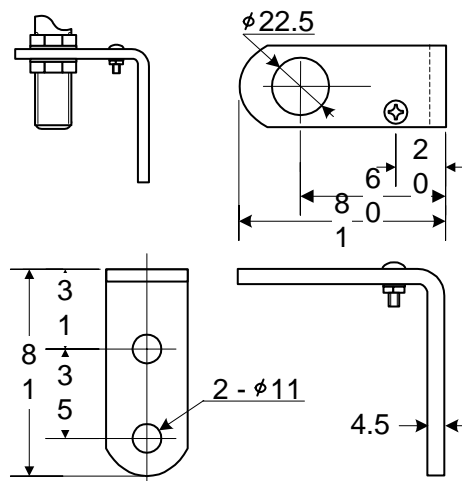
Tower Height [H]	
AC/DC24V	AC120V
1 Light : 150	1 Light : 206
2 Lights : 191	2 Lights : 247
3 Lights : 232	3 Lights : 288
4 Lights : 273	4 Lights : 329
5 Lights : 314	5 Lights : 370

Base Height [B]	
AC/DC24V	AC120V
97	153

Wire Size Chart	
24V: Signal Wires	AWG22
24V: Power Wires	AWG22
120V: Signal Wires	AWG22
120V: Power Wires	AWG18
120V: Ground Wire	AWG18



Side-mount Bracket (Supplied)



# Specifications

# LME-L

Input Voltage		Options		AC/DC24V		AC120V					
		Rated Voltage		AC/DC24V (50-60 Hz)		AC120V (50-60 Hz)					
		Operating Voltage		Rated Voltage + or - 10%							
Operating temperature Range		-30°C ~ +60°C									
Relative Humidity		Less than 90%									
Flashing Cycle ("FB" styles only)		60 + or - 12 flashes per minute									
Alarm Sound Level ("FB" styles only, measured from the front direction, characteristic : A)		Alarm 1		Max: 84 + or - 4dB (at 1m)		Min: 64 + or - 4dB (at 1m)					
		Alarm 2		Max: 86 + or - 4dB (at 1m)		Min: 66 + or - 4dB (at 1m)					
Alarm Sound Description ("FB" styles only)		Intermittent, single-tone; Alarm 1: fast beep, Alarm 2: slow beep									
Mounting Location Options		Indoor use only									
Mounting Direction Options		Upright only									
Protection Rating		IP-54									
Vibration		19.6m/s <sup>2</sup> (30Hz) (2 hours each: front-back, right-left, up-down)									
Insulation Resistance		More than 1 Megohm between terminals and chassis at DC500V									
Withstand Voltage (AC/DC24V)		AC500V applied between terminals and chassis for 1 minute without breaking insulation									
Dielectric Voltage (AC120V)		AC500V applied between terminals and chassis for 1 minute without breaking insulation									
Luminous Intensity (mcd = millicandela)		Red		Amber		Green		Blue		Clear	
		350mcd		580mcd		1300mcd		340mcd		1200mcd	
Applicable Standards		CE		EN60958-1: 1993							
		UL		UL Component Recognition per UL-508 (File No. E215660)							
		RoHS		RoHS Directive 2005/95/EC							
Power Consumption		LED Modules					Alarm 1		Alarm 2		
		Red	Amber	Green	Blue	Clear	Steady	Inrush	Steady	Inrush	
AC/DC24V	Current (mA @ 24V)	53	53	20	20	20	40	250	40	250	
	Watts	1.3	1.3	0.5	0.5	0.5	1.0	-----	1.0	-----	
AC120V	Watts	2.0	2.0	0.8	0.8	0.8	1.4	-----	1.4	-----	
	Standby Power	1.7W @ AC120V									
Contact Capacity (I <sub>s</sub> = current capacity; V <sub>s</sub> = withstand voltage; V <sub>c</sub> = dielectric breakdown voltage; I <sub>L</sub> = leakage current)											
AC/DC24V			Contact Capacity				Transistor Capacity (NPN and PNP)				
	LED Light Module		I <sub>s</sub> >= 100mA; V <sub>s</sub> >= AC35V				I <sub>c</sub> >= 100mA; V <sub>c</sub> >= 35V				
	Alarm		I <sub>s</sub> >= 300mA; V <sub>s</sub> >= AC35V				I <sub>c</sub> >= 300mA; V <sub>c</sub> >= 35V				
	Power Supply		I <sub>s</sub> >= 500mA; V <sub>s</sub> >= AC35V								
AC120V			Contact Capacity				Transistor Capacity (NPN)				
	LED Light Module (Signal wire)		I <sub>s</sub> >= 100mA; V <sub>s</sub> >= AC35V				I <sub>c</sub> >= 100mA; V <sub>c</sub> >= 35V				
	Alarm (Signal wire)		I <sub>s</sub> >= 300mA; V <sub>s</sub> >= AC35V				I <sub>c</sub> >= 300mA; V <sub>c</sub> >= 35V				
	Power Supply		I <sub>s</sub> >= 150mA; V <sub>s</sub> >= AC125V								
Leakage Current		I <sub>L</sub> = 0.1mA or less									
Fuse (not included)		1A (250V)									