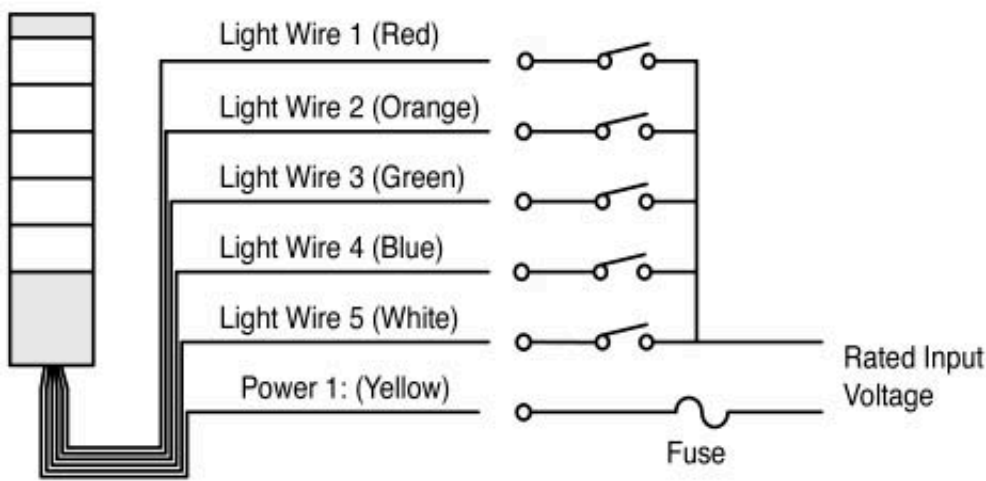




Patlite (U.S.A.) Corporation
3860 Del Amo Blvd. Suite 401
Torrance, CA 90503
Phone: 310-214-3222
Fax: 310-214-9999

LME Series Wiring Diagrams

Diagram #1 - Continuous Only (24V AC/DC)



Please Note: The Yellow Wire is for Power, and the Orange Wire is for the Yellow Light.

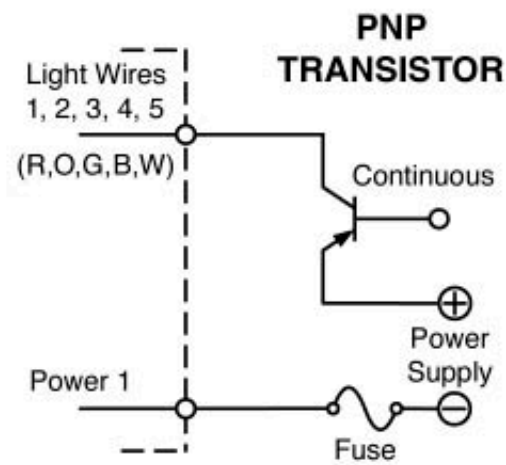
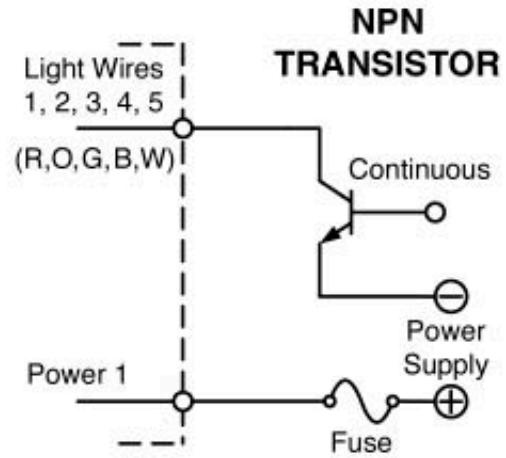
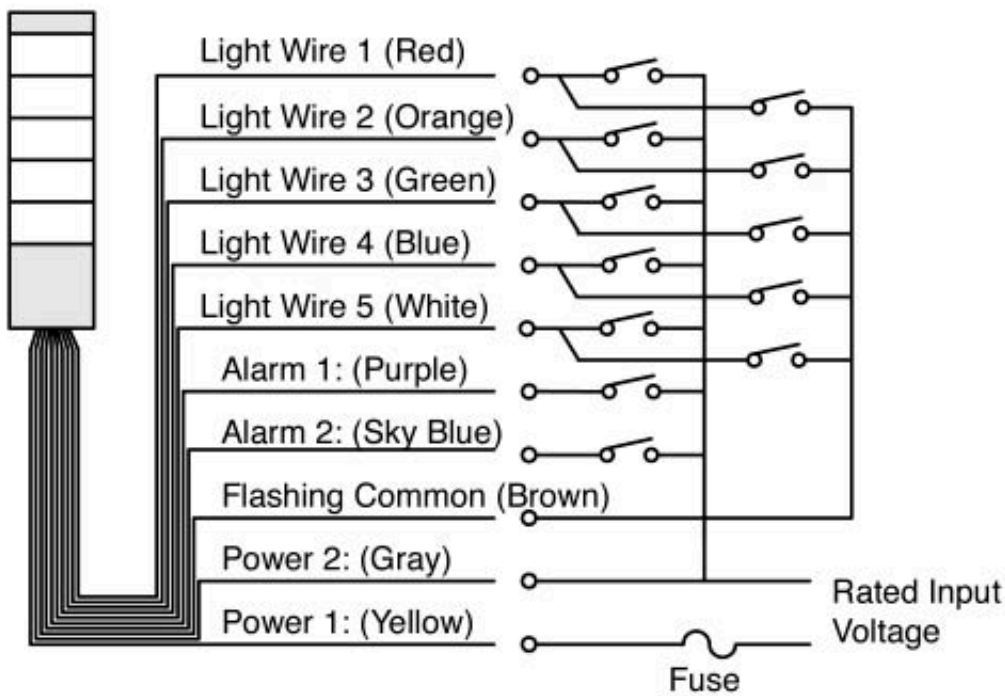


Diagram #2 - Continuous and Flashing with Alarm(s) (24V AC/DC)



Please Note: The Yellow Wire is for Power, and the Orange Wire is for the Yellow Light.

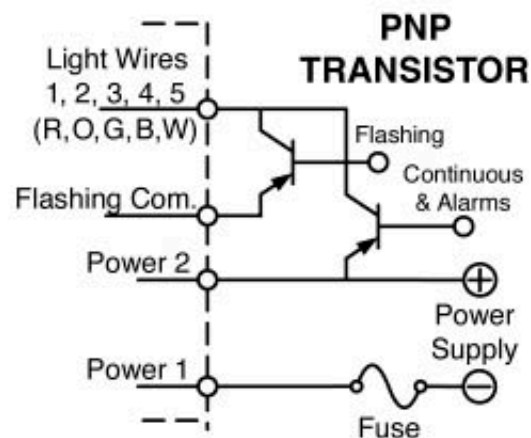
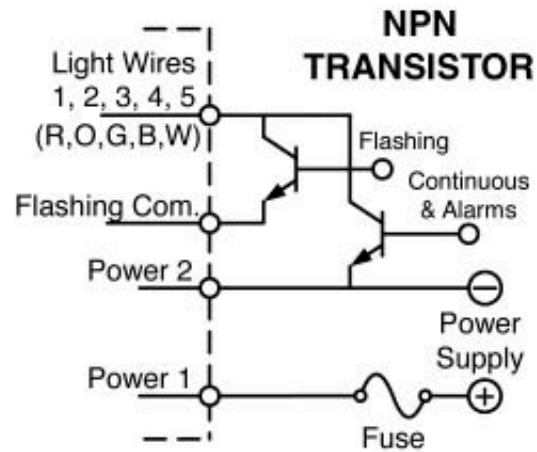
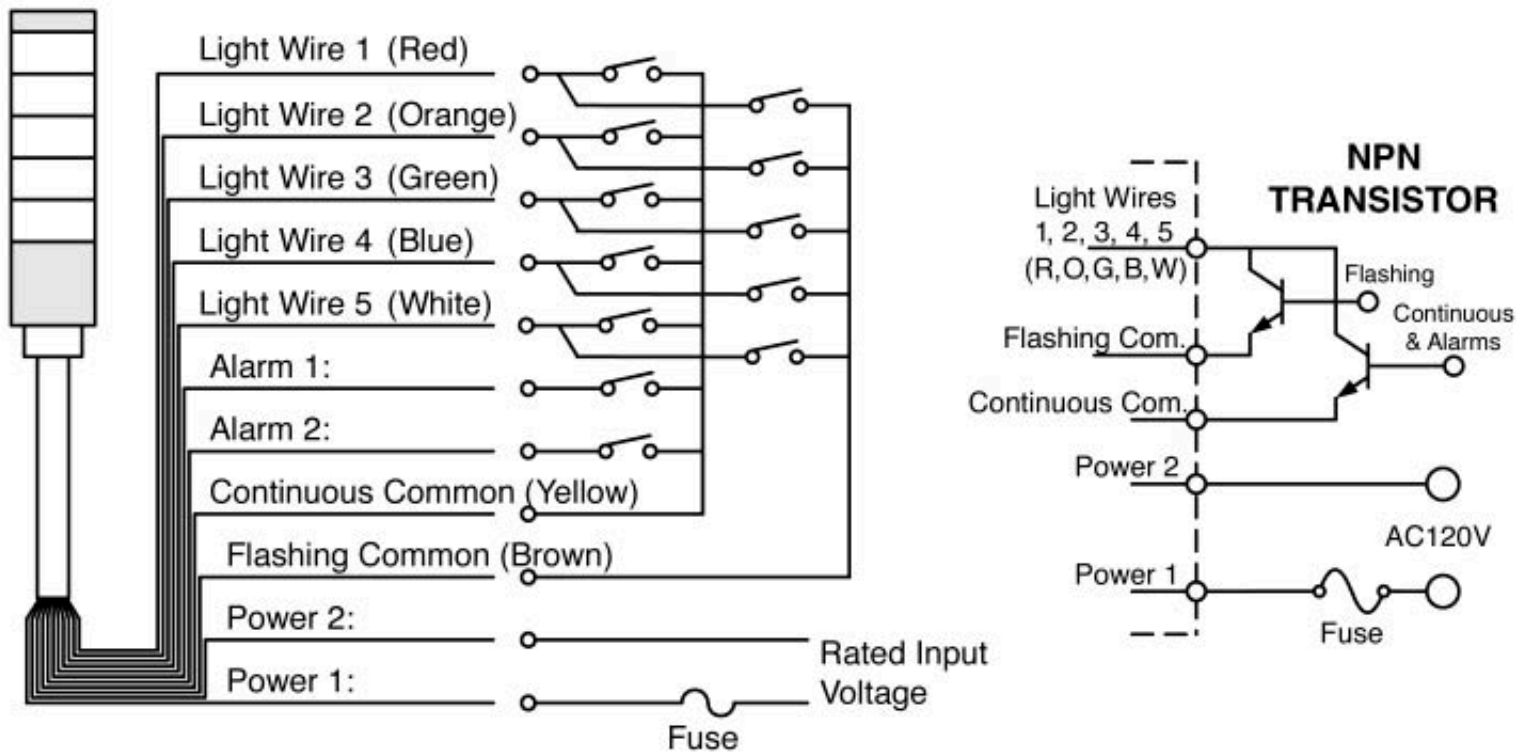


Diagram #3 - Continuous or Continuous and Flashing with Alarm(s) (120V AC)



Model	Wire Colors: Power	Wire Colors: Alarms
LME	Power 1: Black Power 2: Gray	Alarm 1: None Alarm 2: None
LME-FB	Power 1: Black Power 2: Gray	Alarm 1: Purple Alarm 2: Sky Blue

Please Note: The Yellow Wire is the Continuous Common, and the Orange Wire is for the Yellow Light.

NOTES:

- 1) For 120V AC version, the Continuous Only version does not include the Flashing Common (Brown) wire.
- 2) Transistors, switches, and fuses shown are to be supplied by the customer.
- 3) Fuse rating is 1A.
- 4) Never connect Brown to Gray.
- 5) All 5 light wires are supplied even if not all colors are used.
- 6) Lead wire colors shown correspond to LED module colors, except that the Orange wire is for the Yellow light.



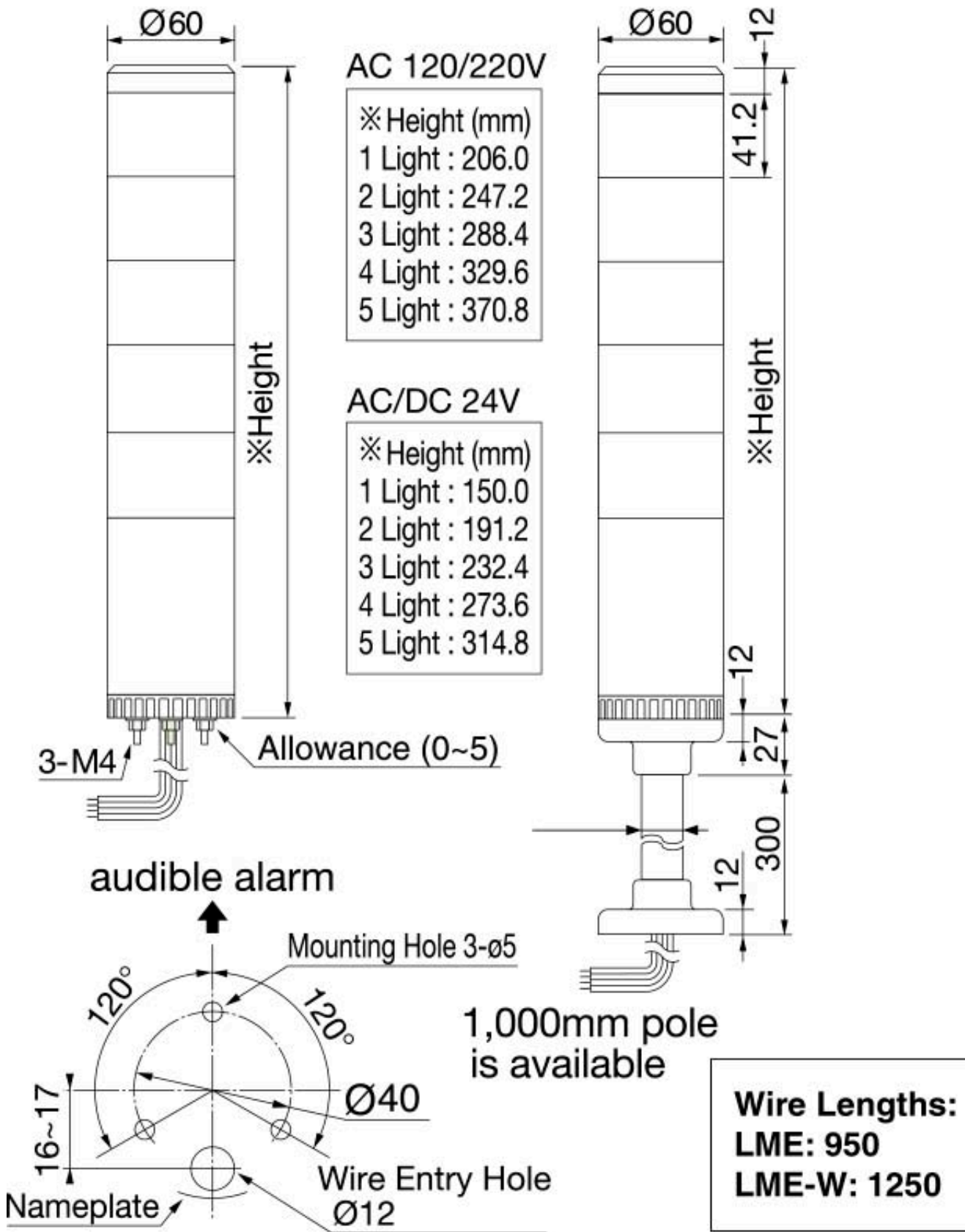
Patlite (U.S.A.) Corporation
 3860 Del Amo Blvd. Suite 401
 Torrance, CA 90503
 Phone: 310-214-3222
 Fax: 310-214-9999

LME Series Mechanical Diagrams

(Dimensions in mm)

Direct Mount

Pole Mount



Comments & Suggestions: webmaster@patlite.com
 Copyright © 1999 The Web Presence Group.