

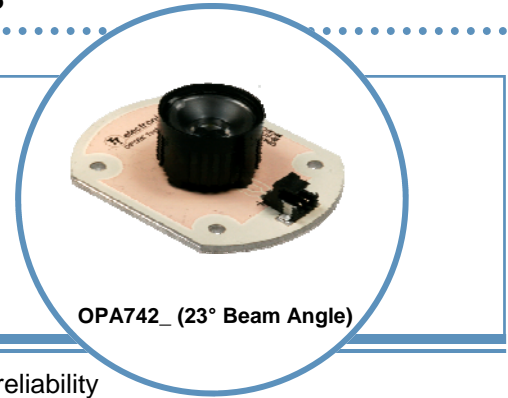
| Part Number | Package | Material | Color | Dominant λ D | Lens Color | I_v at $I_f=mA/Typ$ | Viewing Angle (Degrees) | V_f (Typ) | RoHS |
|-------------|----------------------|----------|-------|----------------------|------------|-----------------------|-------------------------|-------------|------|
| OPA742W23 | 1W Light Spot w/Lens | InGaN | White | 5000°K to 7000°K | Clear | 41/3.6 lm | 23° | 3.6 | √ |

OPA742 Series

1 Watt Light Spot on OptoTherm Linear Heat Spreader with Lens

OPA742 Series

- 1 watt LED on round substrate
- Mono-color per strip (Blue, Green, Red, Yellow, White)
- Component beam angle option 23°
- Universal connector (Tyco 2-292173-2 mates with 173977-2)
- RoHS Compliant



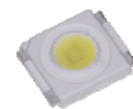
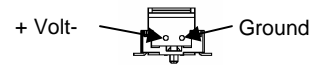
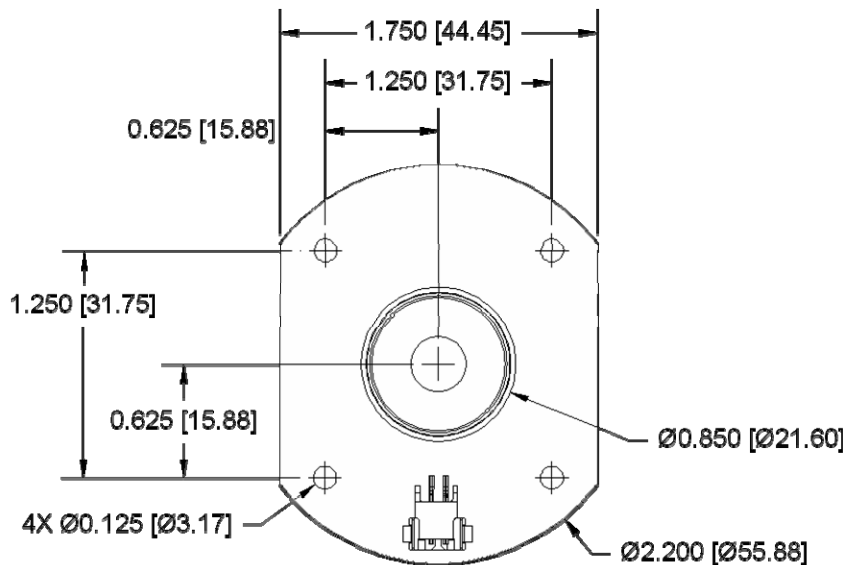
OPA742_ (23° Beam Angle)

The **OPA742** Series are designed for areas where lighting intensity and reliability are essential. The light beam angle of 23° is ideal for illuminating areas close or a long distances from the device while requiring minimal space. A High Performance Heat Spreader (HPHS) is used to ensure the best heat dissipation of any light assembly in the industry.

For custom colors and design contact your OPTEK representative.

Electrical / Optical Characteristics: $T_A=25^\circ\text{C}$, $I_F=350\text{mA}$

| Part Number | Typical Forward Voltage (V) | Luminous Flux (lm) | Beam Angle | Color | Dominant Wavelength |
|-------------|-----------------------------|--------------------|------------|--------|---------------------|
| OPA742Y23 | 2.5 | 22 | 23° | Yellow | 587 nm |
| OPA742B23 | 3.6 | 8 | | Blue | 470 nm |
| OPA742G23 | 3.6 | 41 | | Green | 530 nm |
| OPA742R23 | 2.5 | 30 | | Red | 625 nm |
| OPA742W23 | 3.6 | 41 | | White | 6,500°K |

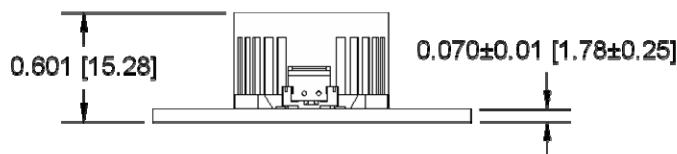


OPA742_

See OVSP_BCR4 for component specifications



RoHS



DO NOT LOOK DIRECTLY AT LED WITH UNSHIELDED EYES OR DAMAGE TO RETINA MAY OCCUR.

OPTEK reserves the right to make changes at any time in order to improve design and to supply the best product possible.