



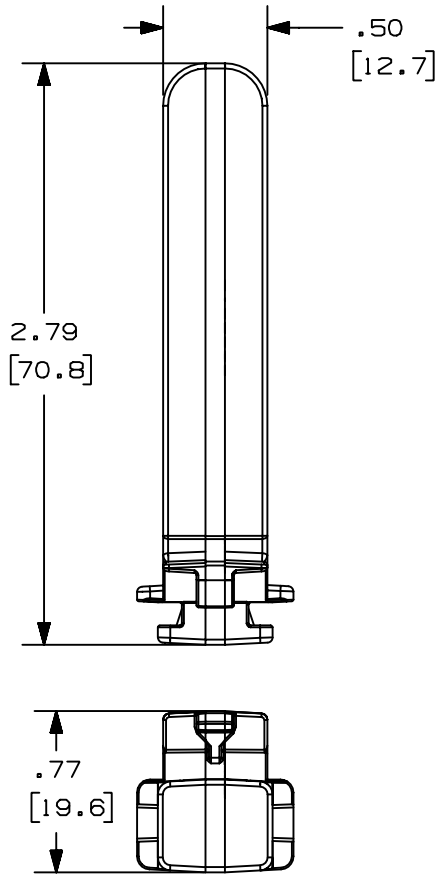
## WR3-C

- Insert between fingers of type G wiring duct to contain wiring when cover is removed
- Adjustable height

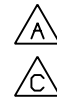


■ Part Number	WR3-C
■ RoHS Compliancy Status	Compliant
■ Part Description	Wire retainer for use with Type G Wiring Duct.
■ Material	ABS
■ For Duct Height Inches (mm)	2.00 – 4.00 (50.8 – 101.6)
■ For Duct Size Width and Height (In.)	3.0x4.0 or Under
■ For Duct Size Width and Height (mm)	76.2x101.6 or Under
■ For Duct Width Inches (mm)	3.00 (76.2)
■ Pricing Description	Duct Wire Retainer, Type E & G, 3"
■ Min. Order UOM	PC
■ Min. Order Qty.	100
■ BOM Qty. (# of Pkgs.)	

THIS COPY IS PROVIDED ON A RESTRICTED BASIS AND IS NOT TO BE USED IN ANY WAY DETRIMENTAL TO THE INTERESTS OF PANDUIT CORP.

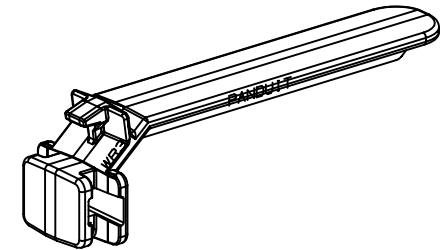
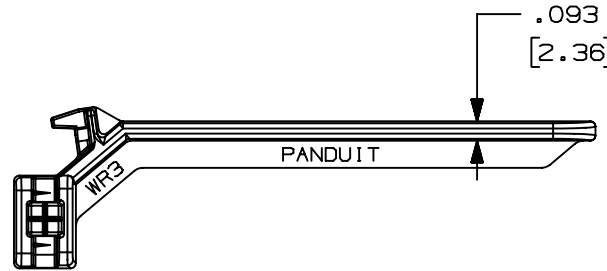


PANDUIT P/N	WEIGHT
WR3	.890 LB/ 100PCS. (405g/ 100PCS.)



NOTES:

1. SEE CURRENT CATALOG FOR ADDITIONAL PART SUFFIXES TO INDICATE COLOR AND OR PACKAGE QUANTITY.
2. THIS WIRE RETAINER IS TO BE USED TO RETAIN WIRES IN "G" DUCT SIZES 3" X 1" THRU 3" X 4".
3. DIMENSIONS IN PARENTHESIS ARE METRIC.



CAD FILENAME/LAYERS D35541DI\_DC\_WR3\_03C.PRT

**PANDUIT** CORP. TINLEY PARK, ILLINOIS  
 WIRING DUCT AND CABLE MANAGEMENT  
 WIRE RETAINER(WR3)  
 FOR USE WITH TYPE "G" DUCT - CUSTOMER DRAWING

UNLESS OTHERWISE SPECIFIED,  
 DIMENSIONAL TOLERANCES ARE:  
 (.X) ± (.XXX) ±  
 (.XX) ±.03(.8) ANGLES ±

UNLESS OTHERWISE SPECIFIED,  
 ALL DIMENSIONS ARE GIVEN  
 IN INCHES, THIRD ANGLE PROJECTION.

SCALE NONE

DRAWING NO. 35541-61

DWG SIZE A

REV	DATE	BY	CHK	DESCRIPTION	ECN	R	CUST	SUP
2	3/9/04	JCST	JKG	C. CHANGED NOTES B. CHANGED TITLE	35541-61		HIW	HIW
1	8-29-00	JHNU	HIW	A. REVISED AND REDRAWN.	35541-61		HIW	HIW
R	3-13-97	RCA	CEF	RELEASED TO PRODUCTION	35541-61		CEF	CEF

DRAWN BY RCA  
 DATE 3-13-97  
 CHK'D CEF

MAT'L: ABS