



## WR2-C

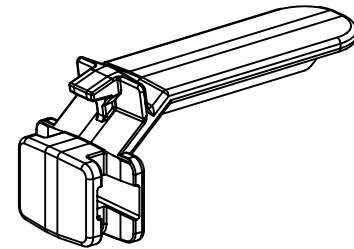
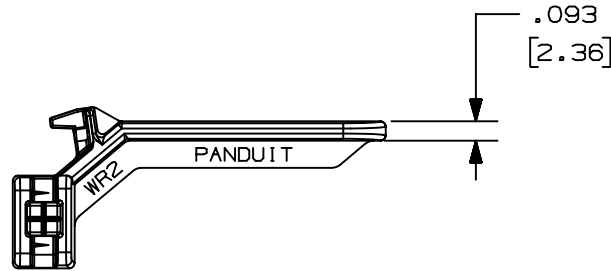
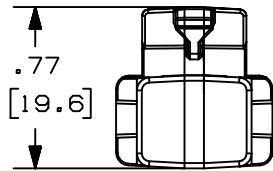
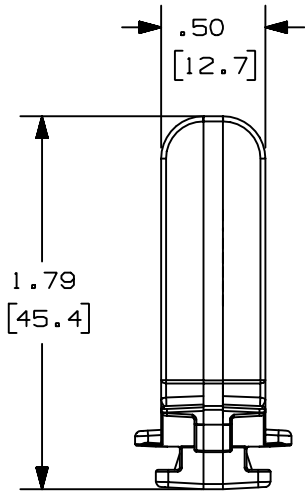
- Insert between fingers of type G wiring duct to contain wiring when cover is removed
- Adjustable height



■ Part Number	WR2-C
■ RoHS Compliancy Status	Compliant
■ Part Description	Wire retainer for use with Type G Wiring Duct.
■ Material	ABS
■ For Duct Height Inches (mm)	2.00 – 4.00 (50.8 – 101.6)
■ For Duct Size Width and Height (In.)	2.0x4.0 or Under
■ For Duct Size Width and Height (mm)	50.8x101.6 or Under
■ For Duct Width Inches (mm)	2.00 (50.8)
■ Pricing Description	Duct Wire Retainer, Type E & G, 2"
■ Min. Order UOM	PC
■ Min. Order Qty.	100
■ BOM Qty. (# of Pkgs.)	

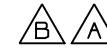
THIS COPY IS PROVIDED ON A RESTRICTED BASIS AND IS NOT TO BE USED IN ANY WAY DETRIMENTAL TO THE INTERESTS OF PANDUIT CORP.

PANDUIT P/N	WEIGHT
WR2	.506 LB/ 100PCS. (230g/ 100PCS.)



NOTES:

1. SEE CURRENT CATALOG FOR ADDITIONAL PART SUFFIXES TO INDICATE COLOR AND OR PACKAGE QUANTITY.
2. THIS WIRE RETAINER IS TO BE USED TO RETAIN WIRES IN "G" DUCT SIZES 2" X 1" THRU 2" X 4".
3. DIMENSIONS IN PARENTHESIS ARE METRIC.



CAD FILENAME/LAYERS D35541DH\_DC\_WR2\_03C.PRT

**PANDUIT** CORP. TINLEY PARK, ILLINOIS  
 WIRING DUCT AND CABLE MANAGEMENT  
 WIRE RETAINER (WR2)  
 FOR USE WITH TYPE "G" DUCT - CUSTOMER DRAWING

UNLESS OTHERWISE SPECIFIED,  
 DIMENSIONAL TOLERANCES ARE:  
 (.X) ± (.XXX) ±  
 (.XX) ±.03 (.8) ANGLES ±

UNLESS OTHERWISE SPECIFIED,  
 ALL DIMENSIONS ARE GIVEN  
 IN INCHES, THIRD ANGLE PROJECTION.

SCALE NONE

MAT'L: ABS

DRAWING NO. 35541-60

DWG SIZE A

REV	DATE	BY	CHK	DESCRIPTION	ECN	R	CUST	SUP
2	3/9/04	JCST	JKG	C. CHANGED NOTES B. CHANGED TITLE	35541-60	HIW	HIW	
1	8-29-00	JHNU	HIW	A. REVISED AND REDRAWN.	35541-60	HIW	HIW	
R	3-13-97	RCA	CEF	RELEASED TO PRODUCTION	35541-60	CEF	CEF	

DRAWN BY RCA
DATE 3-13-97
CHK'D CEF