



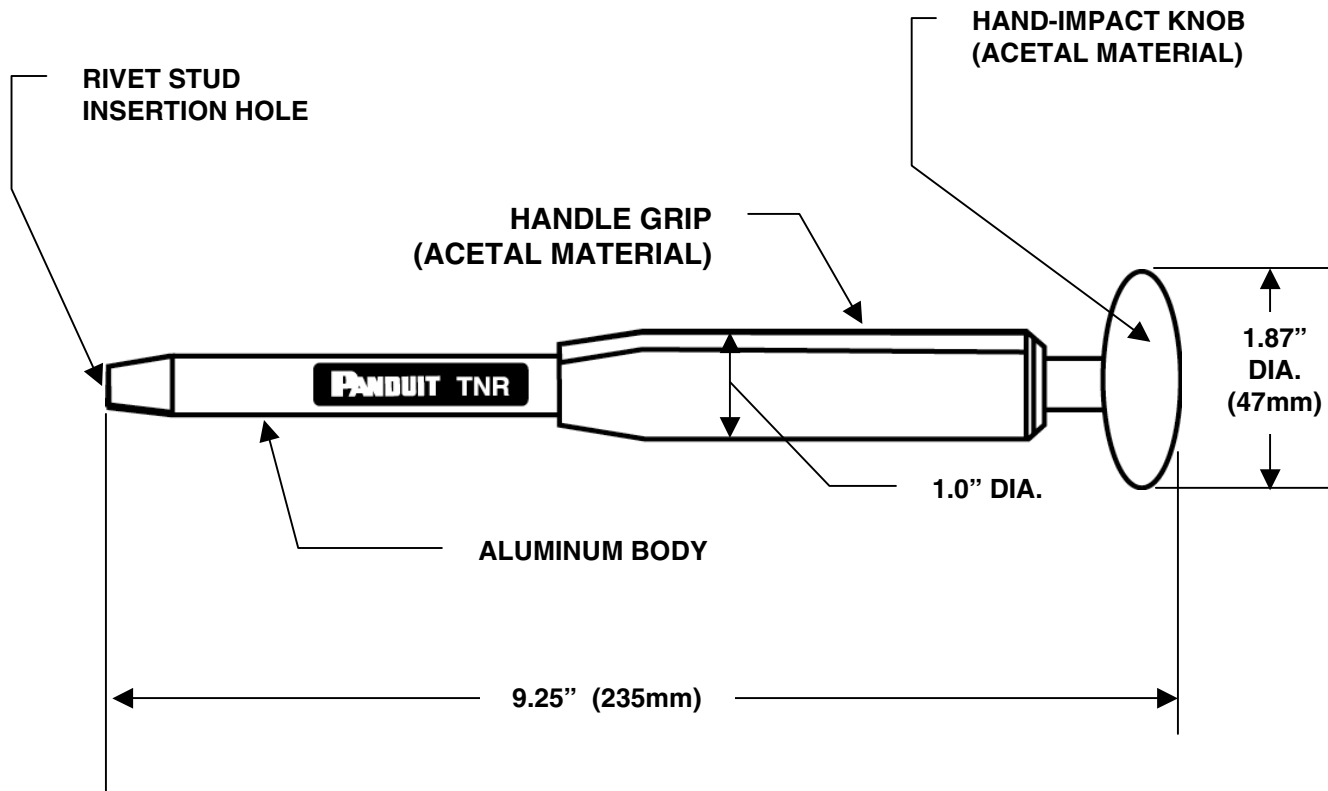
TNR



- An easy to use hand held tool to install Nylon rivets.
- Installs *PANDUIT*® Nylon Rivets (NR1) quickly and easily

▪ Part Number	TNR
▪ RoHS Compliancy Status	RoHS directive is not applicable
▪ Part Description	Hand-held nylon rivet installation tool.
▪ Pricing Description	NYLON RIVET INSTALLATION TOOL
▪ Tool Type	Nylon Rivet
▪ Min. Order UOM	PC
▪ Min. Order Qty.	1
▪ BOM Qty. (# of Pkgs.)	

THIS COPY IS PROVIDED ON A RESTRICTED BASIS AND IS NOT TO BE USED IN ANY WAY DETRIMENTAL TO THE INTERESTS OF PANDUIT CORP.




NOTES:

For use with *PANDUIT* NR1 Nylon Push Rivets and *PANDUIT* KIMS low profile mounts.

DIMENSIONS ARE FOR REFERENCE ONLY.

WEIGHT: 5.1 oz.
(145.5 gr.)

F:/rvusers/engdocsnew/custdwg/
TNR-09124A-CD_01 TNR CD.doc

										CORP. TINLEY PARK, ILLINOIS	
								TNR NYLON PUSH-RIVET TOOL CUSTOMER DRAWING			
								UNLESS OTHERWISE SPECIFIED, DIMENSIONAL TOLERANCES ARE:		UNLESS OTHERWISE SPECIFIED, ALL DIMENSIONS ARE GIVEN IN INCHES, THIRD ANGLE PROJECTION.	
								(.x) ± --- (.xxx) ± ---			
								(.xx) ± --- ANGLES ± ---			
01	3-17-05	BLR	MBR	REDRAWN; ADD WEIGHTS & (DIMS)	4153	--	DLWE	DRAWN BY: BLR	MATL: -----	SCALE NONE	
R	2-20-81	MDE	RJB	RELEASED	09124	R	----	DATE: 3-17-05		DRAWING NO. TNR-09124A-CD	
REV	DATE	BY	CHK'D	DESCRIPTION	ECN	-R	CUST	SUP	CHK'D: MBR		DWG A SIZE