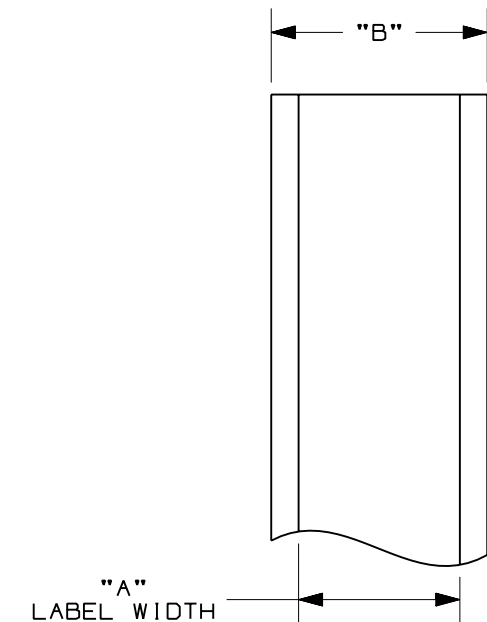
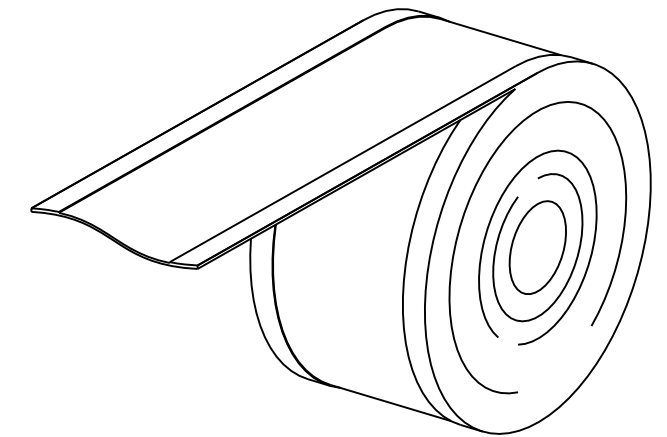


PART NO.	LABEL "A"	LINER WIDTH "B"	COLOR	MATERIAL	ROLL LENGTH
T024X000FJC-BK	0.236 (5.99)	0.63 (16.00)	WHITE	GMPO	300.0" +10.0"/-0.0" (7620 mm +254 mm/ -0.0 mm)
T031X000FJC-BK	0.310 (7.87)	0.63 (16.00)	WHITE	GMPO	300.0" +10.0"/-0.0" (7620 mm +254 mm/ -0.0 mm)
T038X000FJC-BK	0.380 (9.65)	0.63 (16.00)	WHITE	GMPO	300.0" +10.0"/-0.0" (7620 mm +254 mm/ -0.0 mm)
T038X000VPC-BK	0.380 (9.65)	0.63 (16.00)	WHITE	GMV14	300.0" +10.0"/-0.0" (7620 mm +254 mm/ -0.0 mm)
T038X000YKC-BK	0.380 (9.65)	0.63 (16.00)	CLEAR	GMV4-C	300.0" +10.0"/-0.0" (7620 mm +254 mm/ -0.0 mm)
T038X000VYC-WH	0.380 (9.65)	0.63 (16.00)	BLACK	GMV14	300.0" +10.0"/-0.0" (7620 mm +254 mm/ -0.0 mm)
T050X000VPC-BK	0.500 (12.70)	0.85 (21.59)	WHITE	GMV14	300.0" +10.0"/-0.0" (7620 mm +254 mm/ -0.0 mm)
T050X000YKC-BK	0.500 (12.70)	0.85 (21.59)	CLEAR	GMV4-C	300.0" +10.0"/-0.0" (7620 mm +254 mm/ -0.0 mm)
T050X000VXC-BK	0.500 (12.70)	0.85 (21.59)	YELLOW	GMV14	300.0" +10.0"/-0.0" (7620 mm +254 mm/ -0.0 mm)
T050X000VUC-BK	0.500 (12.70)	0.85 (21.59)	ORANGE	GMV14	300.0" +10.0"/-0.0" (7620 mm +254 mm/ -0.0 mm)
T050X000VWC-BK	0.500 (12.70)	0.85 (21.59)	RED	GMV14	300.0" +10.0"/-0.0" (7620 mm +254 mm/ -0.0 mm)
T050X000VSC-BK	0.500 (12.70)	0.85 (21.59)	GREEN	GMV14	300.0" +10.0"/-0.0" (7620 mm +254 mm/ -0.0 mm)
T050X000VOC-BK	0.500 (12.70)	0.85 (21.59)	BLUE	GMV14	300.0" +10.0"/-0.0" (7620 mm +254 mm/ -0.0 mm)
T050X000VYC-WH	0.500 (12.70)	0.85 (21.59)	BLACK	GMV14	300.0" +10.0"/-0.0" (7620 mm +254 mm/ -0.0 mm)
T075X000VPC-BK	0.750 (19.05)	1.13 (28.70)	WHITE	GMV14	300.0" +10.0"/-0.0" (7620 mm +254 mm/ -0.0 mm)
T075X000YKC-BK	0.750 (19.05)	1.13 (28.70)	CLEAR	GMV4-C	300.0" +10.0"/-0.0" (7620 mm +254 mm/ -0.0 mm)
T100X000VPC-BK	1.000 (25.40)	1.13 (28.70)	WHITE	GMV14	300.0" +10.0"/-0.0" (7620 mm +254 mm/ -0.0 mm)
T100X000YKC-BK	1.000 (25.40)	1.13 (28.70)	CLEAR	GMV4-C	300.0" +10.0"/-0.0" (7620 mm +254 mm/ -0.0 mm)
T100X000VXC-BK	1.000 (25.40)	1.13 (28.70)	YELLOW	GMV14	300.0" +10.0"/-0.0" (7620 mm +254 mm/ -0.0 mm)
T100X000VUC-BK	1.000 (25.40)	1.13 (28.70)	ORANGE	GMV14	300.0" +10.0"/-0.0" (7620 mm +254 mm/ -0.0 mm)
T100X000VWC-BK	1.000 (25.40)	1.13 (28.70)	RED	GMV14	300.0" +10.0"/-0.0" (7620 mm +254 mm/ -0.0 mm)
T100X000VSC-BK	1.000 (25.40)	1.13 (28.70)	GREEN	GMV14	300.0" +10.0"/-0.0" (7620 mm +254 mm/ -0.0 mm)
T100X000VOC-BK	1.000 (25.40)	1.13 (28.70)	BLUE	GMV14	300.0" +10.0"/-0.0" (7620 mm +254 mm/ -0.0 mm)
T100X000VYC-WH	1.000 (25.40)	1.13 (28.70)	BLACK	GMV14	300.0" +10.0"/-0.0" (7620 mm +254 mm/ -0.0 mm)
T100X000VXC-WH	1.000 (25.40)	1.13 (28.70)	YELLOW	GMV14	300.0" +10.0"/-0.0" (7620 mm +254 mm/ -0.0 mm)
T100X000VUC-WH	1.000 (25.40)	1.13 (28.70)	ORANGE	GMV14	300.0" +10.0"/-0.0" (7620 mm +254 mm/ -0.0 mm)
T100X000VWC-WH	1.000 (25.40)	1.13 (28.70)	RED	GMV14	300.0" +10.0"/-0.0" (7620 mm +254 mm/ -0.0 mm)
T100X000VSC-WH	1.000 (25.40)	1.13 (28.70)	GREEN	GMV14	300.0" +10.0"/-0.0" (7620 mm +254 mm/ -0.0 mm)
T100X000VOC-WH	1.000 (25.40)	1.13 (28.70)	BLUE	GMV14	300.0" +10.0"/-0.0" (7620 mm +254 mm/ -0.0 mm)



NOTE:

1. SEE MFG. DWG. NO. A61302.
2. DIMENSIONS IN [] ARE IN MILLIMETERS.

CAD FILENAME/LAYERS 100743LY_C10411_TxxxX000xxx_00.prt									
<h1>PANDUIT</h1> CORP TINLEY PARK, ILLINOIS CUSTOMER DRAWING LS8 CONTINUOUS TAPE T***X000***									
UNLESS OTHERWISE SPECIFIED, DIMENSIONAL TOLERANCES ARE: (.X) ± (.XXX) ± .015 (.XX) ± .030 ANGLES ±					UNLESS OTHERWISE SPECIFIED, ALL DIMENSIONS ARE GIVEN IN INCHES, THIRD ANGLE PROJECTION				
DRAWN BY RVU		MAT'L: SEE TABLE.		SCALE NTS					
A	5-11-06	RVU		DRAWING RELEASE	4503	R		DATE 5-11-06	DWG C10411
REV	DATE	BY	CHK	DESCRIPTION	ECN	R	CUST	SUP	DWG SIZE B