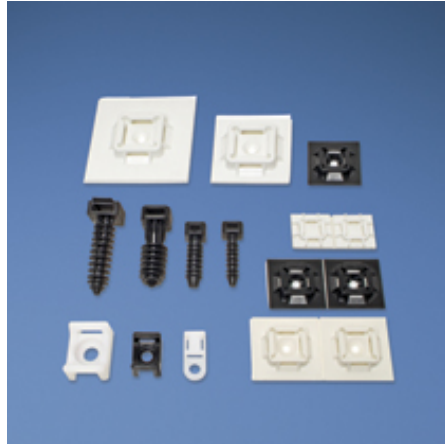




SGABM30-A-C

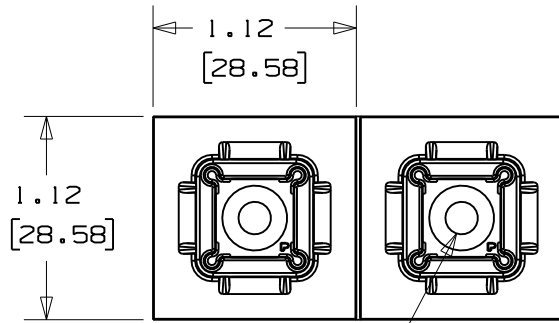


- Low profile design keeps bundle close to mounting surface
- Small overall size allows use where space is limited
- Cable tie cross section sizes: SGM = Super-Grip™ Miniature, SGI = Super-Grip™ Intermediate, SGS = Super-Grip™ Standard, SGLH = Super-Grip™ Light Heavy, SGH = Super-Grip™ Heavy.

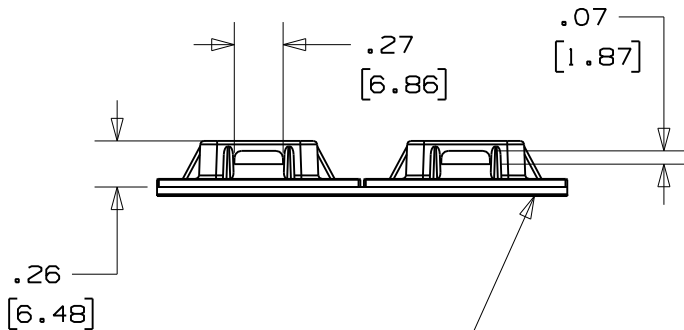
Part Number	SGABM30-A-C
RoHS Compliancy Status	Compliant
Part Description	Super-Grip™ 4-Way Adhesive Backed Cable Tie Mount
Product Type	Cable Tie Mounts - Adhesive Backed
Material	Nylon 6.6
Color	White
Height (In.)	.16
Height (mm)	.1
Length (In.)	1.12
Length (mm)	28.6
Width (In.)	1.12
Width (mm)	28.6
Adhesive Type	Rubber
Cable Tie Width (In.)	.225
Cable Tie Width (mm)	5.7
Environment	Indoor Use
Mounting Method	Rubber
Pricing Description	Super Grip Adhesive Mount, Adh., 1.12" x 1.12" (28.5mm x 28.5mm), NAT
Screw Size	#6 (M3)
Screw Size Metric	M3
Used With Cable Ties	SGM,SGI,SGS
Min. Order UOM	PC
Min. Order Qty.	100
BOM Qty. (# of Pkgs.)	
Add to Favorite Product List	

THIS COPY IS PROVIDED ON A RESTRICTED BASIS AND IS NOT TO BE USED IN ANY WAY DETRIMENTAL TO THE INTERESTS OF PANDUIT CORP.

NO WARRANTY, EXPRESSED OR IMPLIED IS MADE BY PANDUIT WITH RESPECT TO ADHESIVE BOND PERFORMANCE. AMONG OTHER THINGS, THE CONDITIONS UNDER WHICH THESE MOUNTS MAY BE APPLIED AND / OR THE SURFACE TO WHICH THEY MAY BE APPLIED ARE BEYOND PANDUIT'S CONTROL.



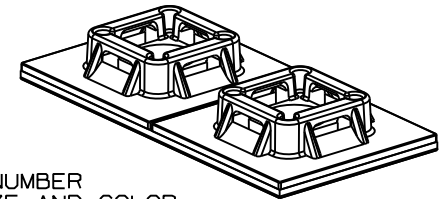
SEE NOTE 3



ADHESIVE BACKING:

- *[-A] RUBBER BASED ADHESIVE PRESSURE SENSITIVE FOAM TAPE 0.04 (1.0) THICK WITH A PROTECTIVE LINER. MOUNT IS DESIGNED TO SUPPORT 0.63 lbs (287g) MAX. WEIGHT ON A CLEAN DRY SMOOTH SURFACE.
- *[-AT] ACRYLIC BASED ADHESIVE PRESSURE SENSITIVE FOAM TAPE 0.04 (1.0) THICK WITH A PROTECTIVE LINER. MOUNT IS DESIGNED TO SUPPORT 0.63 lbs (287g) MAX. ON A CLEAN DRY SMOOTH SURFACE.

PANDUIT PART NO. *	RECOMMENDED FASTENER	USE WITH THESE CABLE TIE CROSS SECTIONS	WEIGHT LBS / 100 (g) / PCS
SGABM30-A- --- ABM30	RUBBER ADHESIVE	M, I, S,	0.42 (188.4)
SGABM30-AT- --- ABM30B	ACRYLIC ADHESIVE	SG100M, SG150I, SG200S, SG250S, SG300S, SG370S	



NOTES

1. SEE CURRENT PRICE SHEET FOR PART NUMBER SUFFIX DESIGNATION FOR PACKAGE SIZE AND COLOR.
2. PRODUCT IS SUPPLIED IN STRIPS OF TWO.
3. HOLE FOR STANDARD #8 FLAT HEAD SCREW.
4. -A HAS A CONTINUOUS OPERATING TEMPERATURE OF 120°F (49°C).
-AT HAS A CONTINUOUS OPERATING TEMPERATURE OF 180°F (82°C).

DIMENSIONS IN BRACKETS ARE METRIC [mm]

CAD FILENAME/LAYERS G03150FD_PB_SGABM30_01

PANDUIT CORP. TINLEY PARK, ILLINOIS

ADHESIVE BACKED MOUNT -SUPER GRIP COMPATIBLE (SGABM30- ---) & ABM30, ABM30B

UNLESS OTHERWISE SPECIFIED, DIMENSIONAL TOLERANCES ARE:
(.X) ±0.05 (1.3) (.XXX) ±0.010 (0.25)
(.XX) ±0.02 (0.5) ANGLES ±5°

UNLESS OTHERWISE SPECIFIED, ALL DIMENSIONS ARE GIVEN IN INCHES, THIRD ANGLE PROJECTION.

DRAWN BY JAD

MAT'L:

SCALE FULL

DATE 3/30/06

NYLON 6/6

DRAWING NO. GB3150FD

DWG

1	6/12/06	JAD		UPDATTE CABLE TIE CROSS-SECTION CALLOUTS	GB3150FD	1			
---	---------	-----	--	--	----------	---	--	--	--

REV	DATE	BY	CHK	DESCRIPTION	ECN	R	CUST	SUP	
-----	------	----	-----	-------------	-----	---	------	-----	--

A

SIZE