



## SD2H6



- The wiring duct divider wall is mounted inside any PVC wiring duct in order to create multiple channels within the wiring duct. Simply use the mounting bases when installing the duct and the divider wall will "snap" on.
- Wiring duct divider wall can be mounted inside any type of Panduit® PVC wiring duct to create multiple channels
  - Simply install the divider wall base when mounting the duct and snap the divider wall onto the mounting base, DB-C
  - All versions snap onto DB-C mounting base
  - Divider wall heights 2" and greater have a scoreline feature allowing sections to be removed leaving a smooth edge
  - Meets UL508/508A insulation material requirement for barrier between conductors
  - UL 94 flammability rating of V-0

■ Part Number	SD2H6
■ RoHS Compliancy Status	Compliant
■ Part Description	Slotted divider wall.
■ Material	Lead-free PVC
■ Color	Light Gray
■ Length (ft.)	6
■ For Nominal Duct Height (In.)	2.00
■ For Nominal Duct Height (mm)	50
■ Pricing Description	SLOTTED DUCT DIVIDER WALL, PVC, 2"H X 6'
■ Min. Order UOM	FT
■ Min. Order Qty.	6
■ BOM Qty. (# of Pkgs.)	

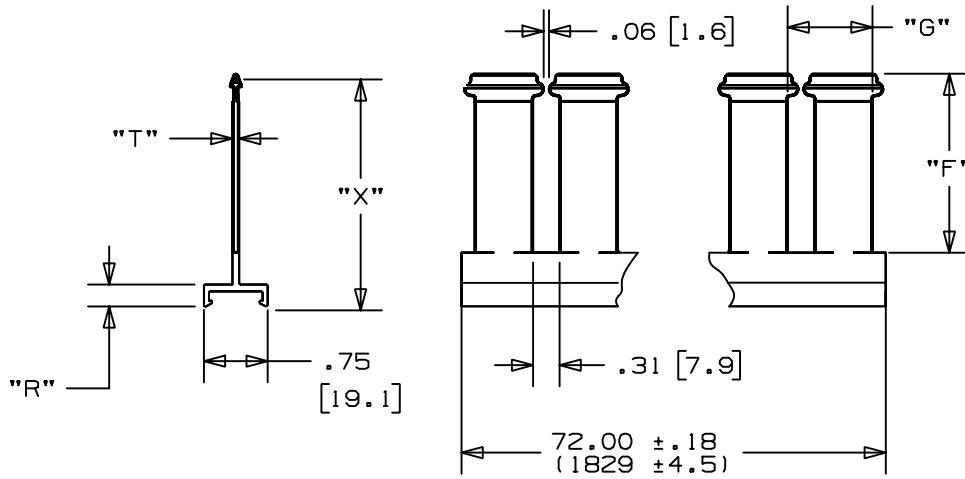
THIS COPY IS PROVIDED ON A RESTRICTED BASIS AND IS NOT TO BE USED IN ANY WAY DETRIMENTAL TO THE INTERESTS OF PANDUIT CORP.

△ B

PANDUIT P/N	"X"	"T"	"R"	"F"	"G"	WEIGHT
SD2H6	1.79 ±.03 (45.3 ±.8)	.07 ±.01 (1.7 ±.3)	.24 ±.03 (6.0 ±.7)	1.18 ±.03 (29.9 ±.8)	.8 ±.04 (2.0 ±1.0)	.077 LB/FT (.115 Kg/M)
SD3H6	2.74 ±.05 (69.7 ±1.3)	.09 ±.02 (2.1 ±.4)	.26 ±.03 (6.5 ±.7)	2.11 ±.03 (55.4 ±.8)	1.0 ±.04 (25.4 ±1.0)	.132 LB/FT (.197 Kg/M)
SD4H6	3.53 ±0.06 (89.8 ±1.5)	.11 ±.02 (2.8 ±.5)	.26 ±.03 (6.5 ±.7)	2.90 ±.03 (73.7 ±.8)	1.0 ±.04 (25.4 ±1.0)	.288 LB/FT (.429 Kg/M)

NOTES:

1. SEE CURRENT CATALOG FOR ADDITIONAL PART SUFFIXES TO INDICATE COLOR AND OR PACKAGE QUANTITY.
- △ 2. THIS PART IS INTENDED TO BE USED WITH MOUNTING BASE DB-C OR DBM-C IN ORDER TO SUCCEED AS A DIVIDER WALL APPLICATION.
3. DIMENSIONS IN PARENTHESES ARE METRIC.



△ C

CAD FILENAME/LAYERS D36089BG\_DC\_SDW\_02A.prt

PANDUIT CORP. TINLEY PARK, ILLINOIS  
 SLOTTED DIVIDER WALL FOR  
 WIRING DUCT (SD2H6, SD3H6, SD4H6)  
 CUSTOMER DRAWING

UNLESS OTHERWISE SPECIFIED,  
 DIMENSIONAL TOLERANCES ARE:  
 (.X) ± (.XXX) ±  
 (.XX) ±.03 (.8) ANGLES ±

UNLESS OTHERWISE SPECIFIED,  
 ALL DIMENSIONS ARE GIVEN  
 IN INCHES, THIRD ANGLE PROJECTION.

REV	DATE	BY	CHK	DESCRIPTION	ECN	CHK	CUST	SUP
2	4/12/04	JCST	JKG	C. MODIFIED TITLE B. MODIFIED CHART	36089-07	HIW	HIW	
1	12-10-98	DW	HIW	A. ADDED DBM-C TO NOTE 2.	36089-07	HIW	HIW	
R	7-23-97	DW	HIW	RELEASED TO PRODUCTION.	36089-07	HIW	HIW	

DRAWN BY DW	MAT'L: PVC
DATE 7-23-97	
CHECKED BY HIW	

SCALE NONE	DRAWING NO. 36089-07	DWG A
SIZE		