



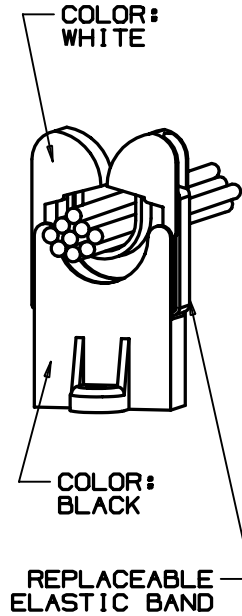
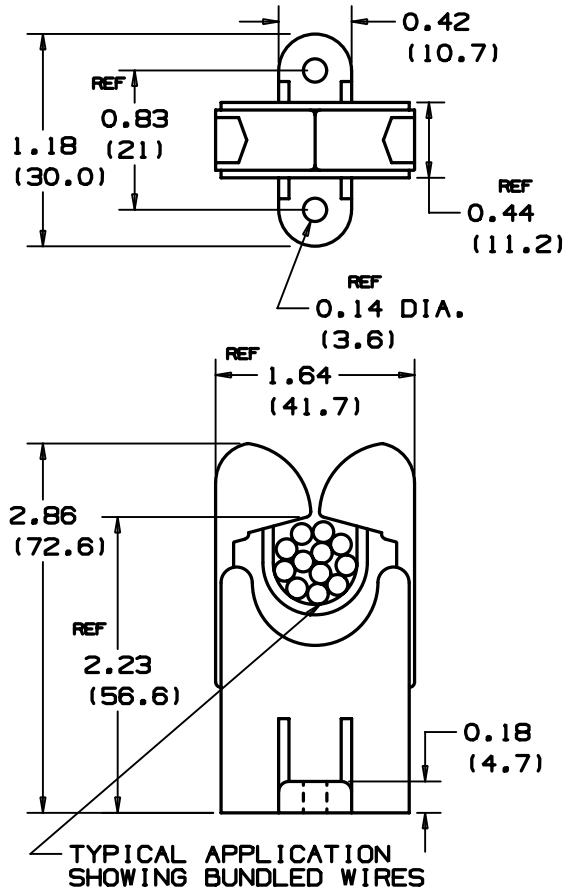
RER1.25-S6-X



- As wires are individually inserted, the bundle is pre-formed. When harness is complete it can be easily snapped out. Three sizes available for 1/2" (12.7mm) 3/4" (19.0mm) and 1 1/4" (31.7mm) bundles.

■ Part Number	RER1.25-S6-X
■ RoHS Compliancy Status	RoHS directive is not applicable
■ Part Description	Harness Board Elastic Bundle Retainer
■ Product Type	Harness Board Accessories
■ Material	Nylon 6.6
■ Color	Black Base, White Arm
■ Height (In.)	2.86
■ Height (mm)	72.6
■ Length (In.)	1.18
■ Length (mm)	30.0
■ Width (In.)	1.64
■ Width (mm)	41.7
■ Arm Color	White
■ Arm Material	Acetal
■ Base Color	Black
■ Base Material	Nylon
■ Environment	Indoors
■ Hole Space (In.)	.83
■ Max. Bundle Diameter (In.)	1.25
■ Max. Bundle Diameter (mm)	31.8
■ Mounting Method	Two #6 (M3) Screws
■ Pricing Description	Elastic Retainer, Rep, 1.25" (31.8mm) Bundle, #6 Screw (M3)
■ Screw Size	#6 (M3)
■ Screw Size Metric	M3
■ Min. Order UOM	PC
■ Min. Order Qty.	10

THIS COPY IS PROVIDED ON A RESTRICTED BASIS AND IS NOT TO BE USED IN ANY WAY DETRIMENTAL TO THE INTERESTS OF PANDUIT CORP.



PANDUIT PART NO.	MAX. BUNDLE DIA. in/mm	RECM. FASTENER	WEIGHT lb/g/100 pcs
RER1.25-S6	1.25 (31.8)	#6 SCRW. (M3)	3.4 (1529)

NOTES:
1. SEE CURRENT PRICE SHEET FOR PART NUMBER SUFFIX DESIGNATION FOR PACKAGE SIZE

(DIMENSIONS IN PARENTHESES ARE IN METRIC.)

CAD FILENAME/LAYERS

G0023910_PB_RER1.25_01

PANDUIT

CORP.

TINLEY PARK, ILLINOIS

ELASTIC RETAINER, RER1.25-S6

UNLESS OTHERWISE SPECIFIED,
DIMENSIONAL TOLERANCES ARE:
(.X) ± N/A (.XXX) ± N/A
(.XX) ± .020(.5) ANGLES ± 5°

UNLESS OTHERWISE SPECIFIED,
ALL DIMENSIONS ARE GIVEN
IN INCHES, THIRD ANGLE PROJECTION.

REV	DATE	BY	CHK	DESCRIPTION	ECN	R	CUST	SUP	DRWN BY	DATE	CHK'D	MAT'L	DWG NO.	DWG SIZE
1	7/21/03	JAD		REVISED ARM MATERIAL	G8023910	I			LGG	4/19/01		NYLON BASE & RUBBER MODIFIED NYLON 6/6 ARM	GB023910	A
R	6/19/01	LGG		INITIAL RELEASE-REPLACED SS-8227	G8023910	R								

SCALE FULL

DRAWING NO.

GB023910

DWG

SIZE