



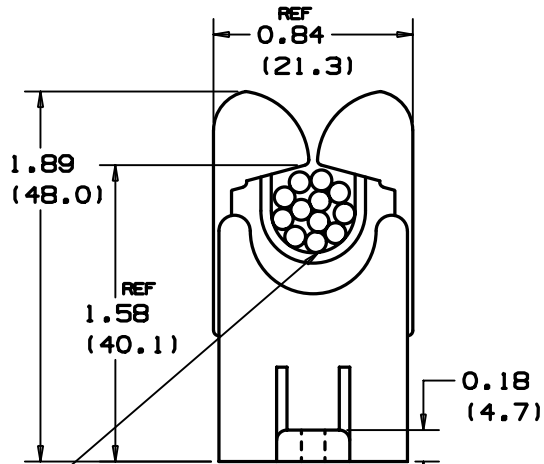
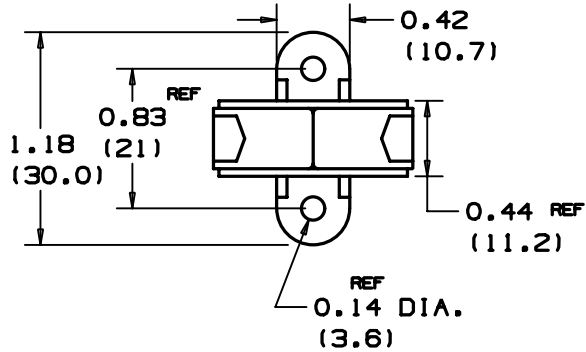
RER.5-S6-X



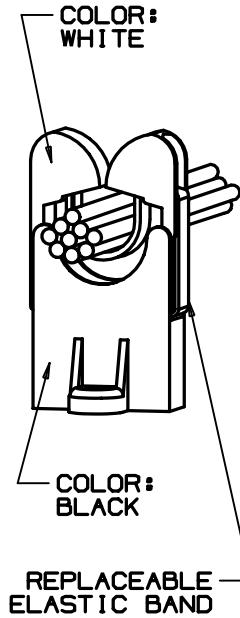
- As wires are individually inserted, the bundle is pre-formed. When harness is complete it can be easily snapped out. Three sizes available for 1/2" (12.7mm) 3/4" (19.0mm) and 1 1/4" (31.7mm) bundles.

■ Part Number	RER.5-S6-X
■ RoHS Compliancy Status	RoHS directive is not applicable
■ Part Description	Harness Board Elastic Bundle Retainer
■ Product Type	Harness Board Accessories
■ Material	Nylon 6.6
■ Color	Black Base, White Arm
■ Height (In.)	1.89
■ Height (mm)	48.0
■ Length (In.)	1.18
■ Length (mm)	30.0
■ Width (In.)	.84
■ Width (mm)	21.3
■ Arm Color	White
■ Arm Material	Acetal
■ Base Color	Black
■ Base Material	Nylon
■ Environment	Indoors
■ Max. Bundle Diameter (In.)	.50
■ Max. Bundle Diameter (mm)	12.7
■ Mounting Method	Two #6 (M3) Screws
■ Pricing Description	Elastic Retainer, Rep, .50" (12.7mm) Bundle, #6 Screw (M3)
■ Screw Size	#6 (M3)
■ Screw Size Metric	M3
■ Min. Order UOM	PC
■ Min. Order Qty.	10
■ BOM Qty. (# of Pkgs.)	

THIS COPY IS PROVIDED ON A RESTRICTED BASIS AND IS NOT TO BE USED IN ANY WAY DETRIMENTAL TO THE INTERESTS OF PANDUIT CORP.



TYPICAL APPLICATION SHOWING BUNDLED WIRES



PANDUIT PART NO.	MAX. BUNDLE DIA. in/mm	RECM. FASTENER	WEIGHT lb/g/100 pcs
RER.5-S6	0.5 (12.7)	#6 SCRW. (M3)	1.6 (720)

NOTES:
1. SEE CURRENT PRICE SHEET FOR PART NUMBER SUFFIX DESIGNATION FOR PACKAGE SIZE

(DIMENSIONS IN PARENTHESES ARE IN METRIC.)

CAD FILENAME/LAYER

G00239HW_PB_RER.5_01

PANDUIT

CORP.

TINLEY PARK, ILLINOIS

ELASTIC RETAINER, RER.5-S6

UNLESS OTHERWISE SPECIFIED,
DIMENSIONAL TOLERANCES ARE:
(.X) ±N/A (.XXX) ±N/A
(.XX) ±.020(.5) ANGLES ±5°

UNLESS OTHERWISE SPECIFIED,
ALL DIMENSIONS ARE GIVEN
IN INCHES, THIRD ANGLE PROJECTION.

1	7/21/03	JAD		UPDATE ARM MATERIAL	G80239HM	1				DRAWN BY	LGG	MAT'L:		SCALE	FULL
R	6/19/01	LGG		INITIAL RELEASE REPLACED SS-15049	G80239HM	R				DATE	6/19/01	NYLON BASE & RUBBER MODIFIED NYLON 6/6 ARM		DRAWING NO.	G80239HM
REV	DATE	BY	CHK	DESCRIPTION	ECN	R	CUST	SUP		DRW'D				DWG SIZE	A