

Current refinements (click to remove)

[Search Tips](#) 
 Region [USA](#) Product Family [Locking Fork Terminal, Vinyl Insulated – Funnel Entry](#) Text Search: 'PV18-10LF-CY'

Your search criteria matched only one product, shown below.


- Locks in place for secure connection
- Fork design provides for fast and easy installation, without the need to remove fastener
- Insulation support helps to prevent wire damage in bending applications
- UL Flammability UL 94V-0, maximum insulation temperature 221°F (105°C)
- Internal barrel serrations assure good wire contact and maximum tensile strength
- UL and CSA rated to 600 V per UL 486

‡UL and CSA approved tooling/product combinations.

Part Number:	PV18-10LF-CY
RoHS Compliancy Status:	Compliant
Note:	PV18-10LF-CY replaces PV18-10LF-C
Part Description:	Locking Fork Terminal, vinyl insulated, funnel entry, 22 – 18 AWG, #10 stud size.
Product Type:	Terminals
CSA Certified:	Yes
UL Listed:	Yes
Length (In.):	.97
Width (In.):	.33
Clearance:	.25
Max. Ins.:	.150
Panduit Color Code:	Red
Stock:	.03
Stud Size:	#10
Tool:	CT-100A‡, CT-600-A‡, CT-1550‡, CT-1551‡, CT-2500‡
Wire Range:	22 – 18 AWG
Min. Order UOM:	PC
Min. Order Qty.:	100
BOM Qty. (# of Pkgs.)	

[Add to My Catalog](#)

 Please [register](#) to utilize the 'Bill of Materials', 'Submit Quotes' and 'My Catalog' features.

PART NUMBER		STUD SIZE	DIMENSIONS in.				
PREFIX	PK		A ^{±.03}	W ^{±.01}	C ^{±.02}	M ^{±.03}	H ^{±.01}
PV18-6LF	-C -M -MY	#6	.90 (22,9)	.27 (6,9)	.22 (5,6)	.68 (17,3)	.14 (3,6)
PV18-6LFW	-C -M -MY	#6	.90 (22,9)	.29 (7,4)	.22 (5,6)	.68 (17,3)	.14 (3,6)
PV18-8LF	-C -M -MY	#8	.97 (24,6)	.29 (7,4)	.25 (6,4)	.73 (18,5)	.16 (4,1)
PV18-10LF	-C -M -MY	#10	.97 (24,6)	.33 (8,4)	.25 (6,4)	.73 (18,5)	.19 (4,8)
PV18-10LFN*	-C -M	#10	.97 (24,6)	.29 (7,4)	.25 (6,4)	.73 (18,5)	.19 (4,8)

NOTES:

1. USED FOR:

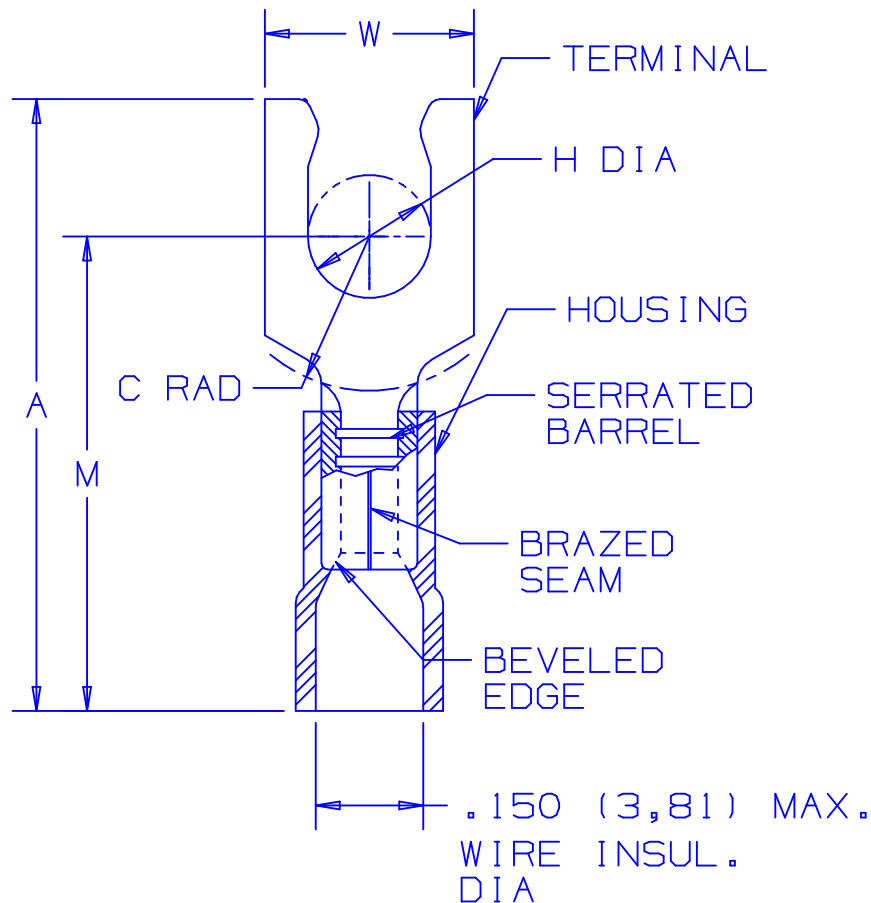
- A. 600 MAX. VOLTAGE RATING (1000V. MAX. IN SIGNS, FIXTURES & LUMINARIES)
- B. #22-18 AWG STRANDED COPPER WIRE RANGE, WITH CT-100, CT-1550, CT-1551 INSTALLATION TOOLS.
- C. 221°F (105°C) MAX TEMP RATING OF INSULATION MATERIAL. 167°F (75°C) MAX TEMP RATING WITH CT-100 INSTALLATION TOOL

2. WIRE STRIP LENGTH : 5/16 ^{+1/32} (7,9 ^{+0,8})

3. PACKAGE QUANTITY (SUFFIX TO BASIC PART NO.):
 A. STANDARD -C=100
 B. BULK -M=1000, -MY=1000

4. MATERIAL:
 A. STAMPING: .032 (.81) THICK TIN PLATED COPPER
 B. HOUSING; RED VINYL

5. DIMENSIONS IN BRACKETS ARE IN MILLIMETERS.



LISTED
587H
E52164



CERTIFIED
LR31212

*PV18-10LFN IS NOT UL LISTED OR CSA CERTIFIED.

11	5/05	JHNU		ADDED PACKAGING CODE "MY" TO DRAWING.				
10	1/01	RM	SKB	FILESPEC WAS N41288_09_PCD	08933	JAC	CCH	
9	10/00	EJS		REMOVED CT-500, CT-550, ADDED CT-1550, CT-1551 TO NOTE 1-B, MAX. WIRE INSULATION, UPDATED NOTE 1-A TO (1000V. MAX. IN SIGNS, FIXTURES & LUMINARIES)	08802			
				DIAMETER WAS .158, REMOVED PART PV18-10LFW, ADDED PART PV18-10LFN TO TABLE, ADDED 167°F (75°C) MAX TEMP RATING WITH CT-100 INSTALLATION TOOL				
8	6/95	MS	RLS	PV18-6LF DIM "W" WAS .25/6,35	03388	LA	KRS	
REV	DATE	BY	CHK	DESCRIPTION	ECN #	CUST	PM	

A41288_11

PANDUIT

CORP.

TINLEY PARK, ILLINOIS

#22-18 BARREL FUNNELED VINYL INSULATED LOCKING FORK, .150 (3,81) MAX. WIRE INSULATION DIAMETER

DRAWN BY MS CHK'D LA SCALE NONE DRAWING NO. A41288