

Current refinements (click to remove)

[Search Tips](#)
 Region USA Product Family Ring Terminal, Vinyl Insulated – Funnel Entry Text Search: 'PV10-6R-L'

Your search criteria matched only one product, shown below.


- Insulation support helps to prevent wire damage in bending applications
- Ring tongue design assures a secure connection in high vibration applications
- Brazed seam protects terminal barrel from splitting during the crimp process
- UL Flammability UL 94V-0, maximum insulation temperature 221°F (105°C)
- Internal barrel serrations assure good wire contact and maximum tensile strength
- UL and CSA rated up 600 V per UL 486

‡UL and CSA approved tooling/product combinations.

Note: Wire sizes #26 – #22 AWG, are not UL Listed or CSA Certified.

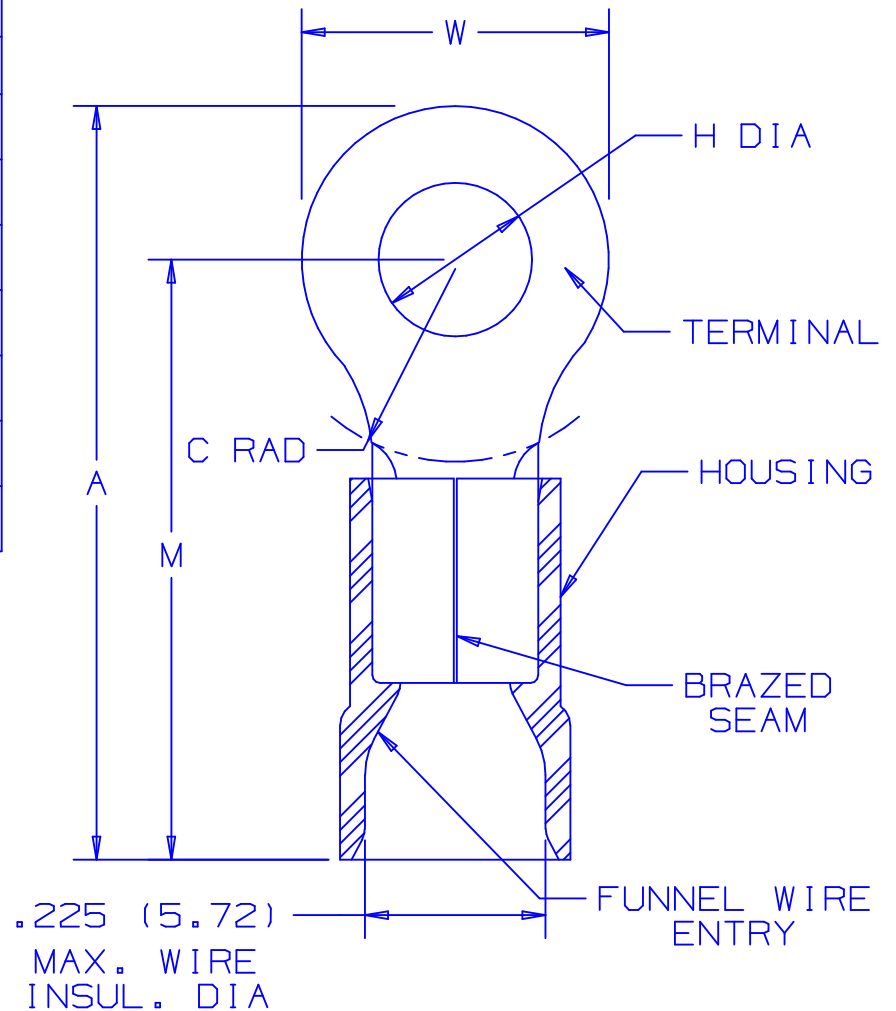
Part Number:	PV10-6R-L
RoHS Compliance Status:	Compliant
Part Description:	Ring Terminal, 12 – 10 AWG, #6 stud size, vinyl insulated, funnel entry.
Product Type:	Terminals
CSA Certified:	Yes
UL Listed:	Yes
Length (In.):	1.05
Length (mm):	26.7
Width (In.):	.31
Width (mm):	7.87
Clearance:	.31
Max. Ins.:	.225
Panduit Color Code:	Yellow
Stock:	.04
Stud Size:	#6
Tool:	CT-100A‡, CT-600-A‡, CT-1550‡, CT-1551‡, CT-2500‡
Wire Range:	12 – 10 AWG
Min. Order UOM:	PC
Min. Order Qty.:	50
BOM Qty. (# of Pkgs.)	
Add to My Catalog	

 Please [register](#) to utilize the 'Bill of Materials', 'Submit Quotes' and 'My Catalog' features.

PANDUIT PART NUMBER		STUD SIZE	DIMENSIONS in.				
			A ±.03	W ±.01	C ±.02	M ±.03	H ±.01
PV10-6R	-L -D	#6	1.05 (26.7)	.31 (7.9)	.31 (7.9)	.89 (22.6)	.15 (3.8)
PV10-8R	-L -D	#8	1.05 (26.7)	.31 (7.9)	.31 (7.9)	.89 (22.6)	.17 (4.3)
PV10-10R	-L -D	#10	1.05 (26.7)	.31 (7.9)	.31 (7.9)	.89 (22.6)	.20 (5.1)
PV10-14R	-L -D	1/4"	1.23 (31.2)	.52 (13.2)	.38 (9.7)	.97 (24.6)	.27 (6.9)
PV10-56R	-L -D	5/16"	1.23 (31.2)	.52 (13.2)	.38 (9.7)	.97 (24.6)	.33 (8.4)
PV10-38R	-L -D	3/8"	1.31 (33.3)	.58 (14.7)	.41 (10.4)	1.02 (25.9)	.39 (9.9)
PV10-12R	-L	1/2"	1.46 (37.1)	.72 (18.3)	.53 (13.5)	1.10 (27.9)	.52 (13.2)

NOTES:

- UL LISTED AND CSA CERTIFIED FOR:
 - 600V. MAX. BLDG WIRE
(1000 V. MAX IN SIGNS, FIXTURES & LUMINAIRES), AND 14-10 AWG SOLID OR STRANDED COPPER WIRE, & 221°F (105°C MAX) TEMP RATING WITH THE CT-550 INSTALLATION TOOL #12 STR OR SOL & #10 STR W/ CT-1550, CT-1551 INSTALLATION TOOLS.
 - 300 V. MAX BLDG WIRE, 12-10 AWG SOLID OR STRANDED COPPER WIRE, & 167°F (75°C) MAX TEMP RATING WITH THE CT-100 INSTALLATION TOOLS.
- MATERIAL:
 - STAMPING - .04" (1.0) THK COPPER, TIN PLATED
 - HOUSING - VINYL, YELLOW
- STRIP LENGTH - 5/16 +1/32-.0
- PACKAGE QTY:
 - STD PKG. -L=50
 - BULK PKG. -D=500
- DIMENSIONS IN BRACKETS ARE IN MILLIMETERS



CERTIFIED
LR31212



LISTED
587H
E52164

A41187_05

05	2/02	SAC		FOR PV10-12R DIM A WAS 1.47 & DIM M WAS 1.11				
04	5/02	SRB	SKB	CHANGED (DIMS) TO 1 PL DECIMAL	10231	LA	TRO	
03	4/02	SRB	SKB	ADDED PV10-12R	10171	LA	TRO	
REV	DATE	BY	CHK	DESCRIPTION	ECN #	CUST	PM	

PANDUIT CORP.

TINLEY PARK, ILLINOIS

2PC. VINYL INSULATED,
#12-10 BARREL, RINGS

DRAWN BY FES	CHK'D	SCALE NONE	DRAWING NO. A41187
-----------------	-------	---------------	-----------------------