

Current refinements (click  to remove)

[Search Tips](#)
 [Region](#)  [USA](#)  [Product Family](#)  [Multiple Stud Terminal, Vinyl Insulated – Funnel Entry](#)  [Text Search: 'PV10-610R-L'](#)
**Your search criteria matched only one product, shown below.**


- Teardrop shaped mounting hole of multiple stud terminals permits use with #6, #8, or #10 size studs
- Ring tongue design assures a secure connection in high vibration applications
- Insulation support helps to prevent wire damage in bending applications
- Brazed seam protects terminal barrel from splitting during the crimp process
- UL Flammability UL 94V-0, maximum insulation temperature 221°F (105°C)
- Internal barrel serrations assure good wire contact and maximum tensile strength
- UL and CSA rated up to 600 V per UL 486

‡UL and CSA approved tooling/product combinations.

Part Number:	PV10-610R-L
RoHS Compliancy Status:	Compliant
Part Description:	Ring Terminal, 12 – 10 AWG, Multi Stud #6, #8, #10, vinyl insulated, funnel entry.
Product Type:	Terminals
CSA Certified:	Yes
UL Listed:	Yes
Length (In.):	1.17
Width (In.):	.37
Clearance:	.31
Max. Ins.:	.225
Panduit Color Code:	Yellow
Stock:	.04
Stud Size:	#6, #8, #10
Tool:	CT-100A, CT-600-A‡, CT-1550‡, CT-1551‡, CT-2500‡
Wire Range:	12 – 10 AWG
Min. Order UOM:	PC
Min. Order Qty.:	50

BOM Qty. (# of Pkgs.)

[Add to My Catalog](#)

 Please [register](#) to utilize the 'Bill of Materials', 'Submit Quotes' and 'My Catalog' features.

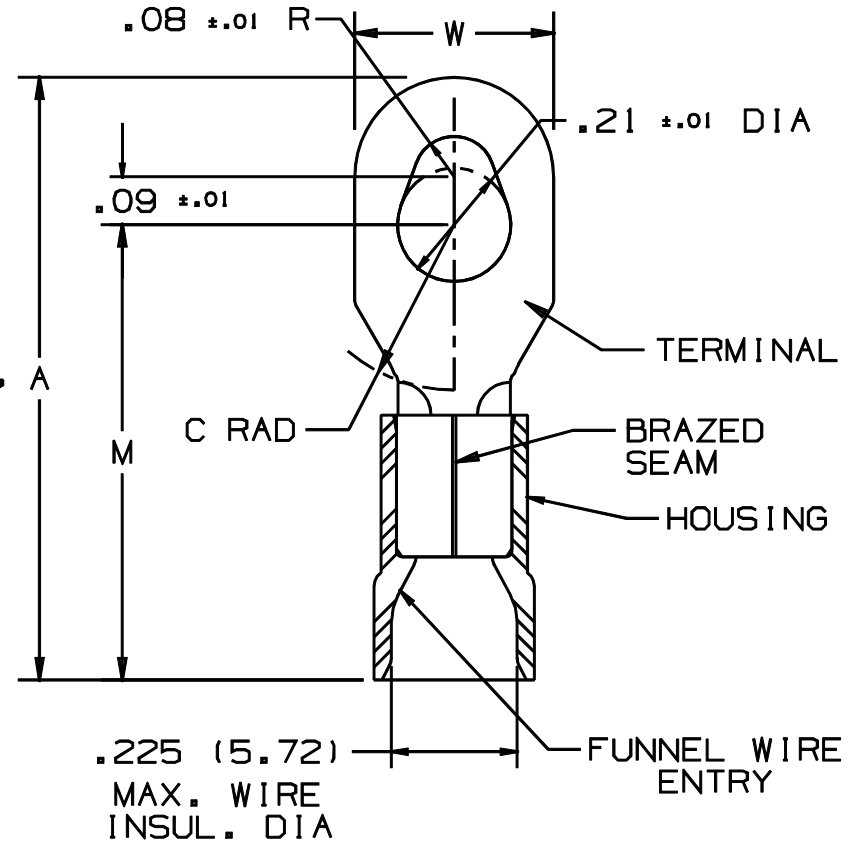
THIS COPY IS PROVIDED ON A RESTRICTED BASIS AND IS NOT TO BE USED IN ANY WAY DETRIMENTAL TO THE INTERESTS OF PANDUIT CORP.

PANDUIT PART NUMBER	STUD SIZE	DIMENSIONS in.			
		A $\pm .04$	W $\pm .01$	C $\pm .02$	M $\pm .04$
PV10-610R	#6, #8, #10	1.17 (29.7)	.37 (9.4)	.31 (7.9)	.89 (22.6)

NOTES:

- UL LISTED AND CSA CERTIFIED FOR:
  - 600V. MAX. BLDG WIRE (1000 V. MAX IN SIGNS, FIXTURES & LUMINAIRES), AND 14-10 AWG SOLID OR STRANDED COPPER WIRE, & 221°F (105°C MAX) TEMP RATING WITH THE CT-550, CT-1550\* & CT-1551\* INSTALLATION TOOL.
  - 300 V. MAX BLDG WIRE, 12-10 AWG SOLID OR STRANDED COPPER WIRE, & 167°F (75°C ) MAX TEMP RATING WITH THE CT-100 & CT-250 INSTALLATION TOOLS.
- MATERIAL:
  - STAMPING - .04" (1.02) THK COPPER, TIN PLATED
  - HOUSING - VINYL, YELLOW
- STRIP LENGTH - 5/16  $\pm 1/32$  (7.9  $\pm .8$ )
- PACKAGE QTY:
  - L=50
  - D=500
- DIMENSIONS IN BRACKETS ARE IN MILLIMETERS

\* USE ONLY #12 AWG SOL/STR OR #10 AWG STR COPPER WIRE WITH THE CT-1550 & CT-1551 INSTALLATION TOOLS.



A41588\_01

				<b>PANDUIT</b> CORP. TINLEY PARK, ILLINOIS							
01	1/01	RM	FILESPEC WAS N41588AA_PCD_00			PV10-610R, VINYL INSULATED MULTI-STUD TERMINAL					
00	3/96	ED	RELEASED	04187							
REV	DATE	BY	CHK	DESCRIPTION	ECN #	CUST	PM	DRAWN BY EJD	CHK'D	SCALE NONE	DRAWING NO. A41588