

Current refinements (click to remove)

[Search Tips](#)
 Region USA Product Family Ring Terminal, Vinyl Insulated – Funnel Entry Text Search: 'PV10-10R-L'

Your search criteria matched only one product, shown below.


- Insulation support helps to prevent wire damage in bending applications
- Ring tongue design assures a secure connection in high vibration applications
- Brazed seam protects terminal barrel from splitting during the crimp process
- UL Flammability UL 94V-0, maximum insulation temperature 221°F (105°C)
- Internal barrel serrations assure good wire contact and maximum tensile strength
- UL and CSA rated up 600 V per UL 486

‡UL and CSA approved tooling/product combinations.

Note: Wire sizes #26 – #22 AWG, are not UL Listed or CSA Certified.

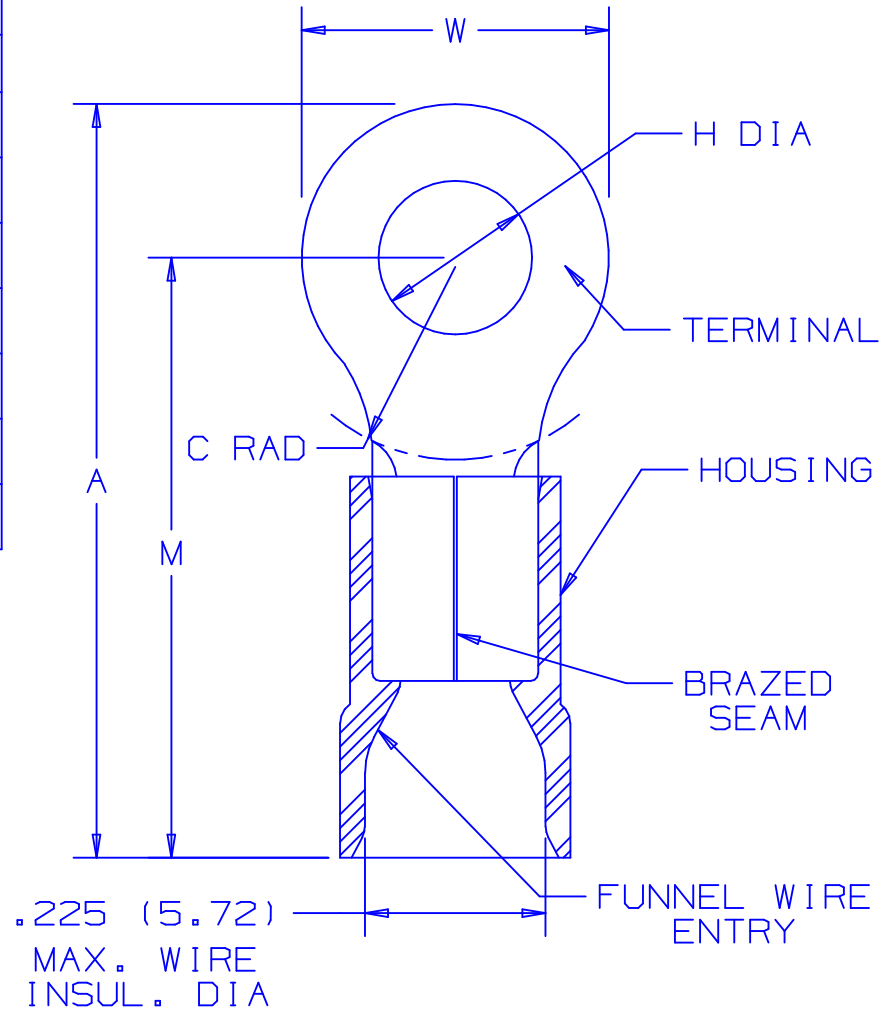
| | |
|-------------------------|---|
| Part Number: | PV10-10R-L |
| RoHS Compliance Status: | Compliant |
| Part Description: | Ring Terminal, 12 – 10 AWG, #10 stud size, vinyl insulated, funnel entry. |
| Product Type: | Terminals |
| CSA Certified: | Yes |
| UL Listed: | Yes |
| Length (In.): | 1.05 |
| Length (mm): | 26.7 |
| Width (In.): | .31 |
| Width (mm): | 7.87 |
| Clearance: | .31 |
| Max. Ins.: | .225 |
| Panduit Color Code: | Yellow |
| Stock: | .04 |
| Stud Size: | #10 |
| Tool: | CT-100A‡, CT-600-A‡, CT-1550‡, CT-1551‡, CT-2500‡ |
| Wire Range: | 12 – 10 AWG |
| Min. Order UOM: | PC |
| Min. Order Qty.: | 50 |
| BOM Qty. (# of Pkgs.) | |
| Add to My Catalog | |

 Please [register](#) to utilize the 'Bill of Materials', 'Submit Quotes' and 'My Catalog' features.

| PANDUIT PART NUMBER | | STUD SIZE | DIMENSIONS in. | | | | |
|---------------------|----------|-----------|----------------|---------------|---------------|----------------|---------------|
| | | | A ±.03 | W ±.01 | C ±.02 | M ±.03 | H ±.01 |
| PV10-6R | -L -D | #6 | 1.05 (26.7) | .31 (7.9) | .31 (7.9) | .89 (22.6) | .15 (3.8) |
| PV10-8R | -L -D | #8 | 1.05 (26.7) | .31 (7.9) | .31 (7.9) | .89 (22.6) | .17 (4.3) |
| PV10-10R | -L -D | #10 | 1.05 (26.7) | .31 (7.9) | .31 (7.9) | .89 (22.6) | .20 (5.1) |
| PV10-14R | -L -D | 1/4" | 1.23 (31.2) | .52 (13.2) | .38 (9.7) | .97 (24.6) | .27 (6.9) |
| PV10-56R | -L -D | 5/16" | 1.23 (31.2) | .52 (13.2) | .38 (9.7) | .97 (24.6) | .33 (8.4) |
| PV10-38R | -L -D | 3/8" | 1.31 (33.3) | .58 (14.7) | .41 (10.4) | 1.02 (25.9) | .39 (9.9) |
| PV10-12R | -L | 1/2" | 1.46 (37.1) | .72 (18.3) | .53 (13.5) | 1.10 (27.9) | .52 (13.2) |

NOTES:

- UL LISTED AND CSA CERTIFIED FOR:
 - 600V. MAX. BLDG WIRE
(1000 V. MAX IN SIGNS, FIXTURES & LUMINAIRES), AND 14-10 AWG SOLID OR STRANDED COPPER WIRE, & 221°F (105°C MAX) TEMP RATING WITH THE CT-550 INSTALLATION TOOL #12 STR OR SOL & #10 STR W/ CT-1550, CT-1551 INSTALLATION TOOLS.
 - 300 V. MAX BLDG WIRE, 12-10 AWG SOLID OR STRANDED COPPER WIRE, & 167°F (75°C) MAX TEMP RATING WITH THE CT-100 INSTALLATION TOOLS.
- MATERIAL:
 - STAMPING - .04" (1.0) THK COPPER, TIN PLATED
 - HOUSING - VINYL, YELLOW
- STRIP LENGTH - 5/16 +1/32-.0
- PACKAGE QTY:
 - STD PKG. -L=50
 - BULK PKG. -D=500
- DIMENSIONS IN BRACKETS ARE IN MILLIMETERS



CERTIFIED
LR31212



LISTED
587H
E52164

A41187_05

| | | | | | | | | |
|-----|------|-----|-----|--|-------|------|-----|--|
| 05 | 2/02 | SAC | | FOR PV10-12R DIM A WAS 1.47 & DIM M WAS 1.11 | | | | <p>TINLEY PARK, ILLINOIS</p> <p>2PC. VINYL INSULATED, #12-10 BARREL, RINGS</p> |
| 04 | 5/02 | SRB | SKB | CHANGED (DIMS) TO 1 PL DECIMAL | 10231 | LA | TRO | |
| 03 | 4/02 | SRB | SKB | ADDED PV10-12R | 10171 | LA | TRO | |
| REV | DATE | BY | CHK | DESCRIPTION | ECN # | CUST | PM | DRAWN BY FES CHK'D SCALE NONE DRAWING NO. A41187 |