

Current refinements (click to remove)

[Search Tips](#)
 Region [USA](#) Product Family [Fork Terminal, Nylon Insulated](#) Text Search: 'PN22-4F-M'

Your search criteria matched only one product, shown below.


- Fork design provides for fast and easy installation, without the need to remove fastener
- Metal insulation grip sleeve crimps to wire insulation, providing protection to the crimp joint during high vibration applications
- Internal barrel serrations assure good wire contact and maximum tensile strength
- UL Flammability UL 94V-2/HB, maximum insulation temperature 221°F (105°C)
- UL and CSA rated up to 600 V per UL 486

‡UL and CSA approved tooling/product combinations.

Note: Wire sizes #26 – #22 AWG, are not UL Listed or CSA Certified.

Part Number:	PN22-4F-M
RoHS Compliancy Status:	Compliant
Part Description:	Fork Terminal, nylon insulated, 26 – 22 AWG, #4 stud size.
Product Type:	Terminals
CSA Certified:	No
UL Listed:	No
Length (In.):	.67
Width (In.):	.20
Clearance:	.21
Max. Ins.:	.090
Panduit Color Code:	Yellow
Stock:	.02
Stud Size:	#4
Tool:	CT-100A, CT-600-A, CT-1525, CT-2500
Wire Range:	26 – 22 AWG
Min. Order UOM:	PC
Min. Order Qty.:	1000

BOM Qty. (# of Pkgs.)

[Add to My Catalog](#)

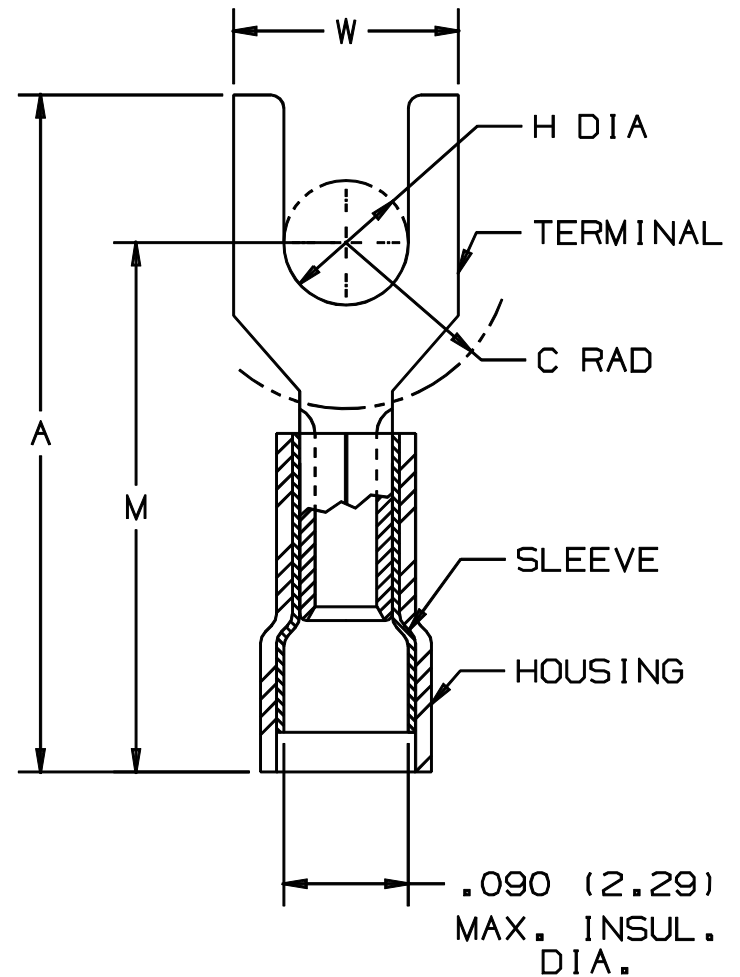
 Please [register](#) to utilize the 'Bill of Materials', 'Submit Quotes' and 'My Catalog' features.

THIS COPY IS PROVIDED ON A RESTRICTED BASIS AND IS NOT TO BE USED IN ANY WAY DETRIMENTAL TO THE INTERESTS OF PANDUIT CORP.

PANDUIT PART NUMBER	STUD SIZE	DIMENSIONS in.				
		A $\pm .03$	W $\pm .01$	C $\pm .02$	M $\pm .03$	H $\pm .01$
PN22-4F	#4	.67 (17.02)	.20 (5.08)	.21 (5.33)	.57 (14.49)	.12 (3.05)
PN22-6F	#6	.77 (19.56)	.25 (6.35)	.26 (6.60)	.63 (16.00)	.15 (3.81)

NOTES:

- RECOMMENDED FOR:
 - 300V. MAX. VOLTAGE RATING
 - #26-22 AWG SOLID OR STRANDED COPPER WIRE
 - 221° F (105° C) MAX. TEMP. RATING
- MATERIAL:
 - STAMPING - .020 (0.51) THK COPPER, TIN PLATED
 - HOUSING - NYLON, YELLOW
 - SLEEVE - BRASS, TIN PLATED
- PACKAGE QTY: STD. PKG. - C = 100
BULK PKG. - M = 1000
- DIMENSIONS IN BRACKETS ARE IN MILLIMETERS
- INSTALLATION TOOLS: CT-520
- WIRE STRIP LENGTH: $3/16" +1/32"_{-0} (4.8 +0.8_{-0})$.



A41235_06

06	1/01	KMD		CAD FILE SPEC. WAS N41235AA_PCD_05				PANDUIT CORP. TINLEY PARK, ILLINOIS #26-22 BARREL NYLON INSULATED FORK, .090 (2.29) MAX. WIRE INSUL. DIA.
05	2/96	ED		REVISIONS TO NOTES AND TABLE SPEC.S FILESPEC WAS: A41235A.PRT	04036			
04	7/88	DW		REDRAWN WITH REVISIONS				
REV	DATE	BY	CHK	DESCRIPTION	ECN #	CUST	PM	DRAWN BY DAW DATE SCALE NONE DRAWING NO. A41235