

Current refinements (click to remove)

[Search Tips](#) 
 [Region](#) [USA](#) [Product Family](#) [Fork Terminal, Nylon Insulated](#) [Text Search: 'PN22-2F-M'](#)
Your search criteria matched only one product, shown below.


- Fork design provides for fast and easy installation, without the need to remove fastener
- Metal insulation grip sleeve crimps to wire insulation, providing protection to the crimp joint during high vibration applications
- Internal barrel serrations assure good wire contact and maximum tensile strength
- UL Flammability UL 94V-2/HB, maximum insulation temperature 221°F (105°C)
- UL and CSA rated up to 600 V per UL 486

‡UL and CSA approved tooling/product combinations.

Note: Wire sizes #26 – #22 AWG, are not UL Listed or CSA Certified.

Part Number:	PN22-2F-M
RoHS Compliancy Status:	Compliant
Part Description:	Fork Terminal,nylon insulated, 26 – 22 AWG, #2 stud size.
Product Type:	Terminals
CSA Certified:	No
UL Listed:	No
Length (In.):	.66
Width (In.):	.20
Clearance:	.19
Max. Ins.:	.090
Panduit Color Code:	Yellow
Stock:	.02
Stud Size:	#2
Tool:	CT-100A, CT-600-A, CT-1525, CT-2500
Wire Range:	26 – 22 AWG
Min. Order UOM:	PC
Min. Order Qty.:	1000

BOM Qty. (# of Pkgs.)

[Add to My Catalog](#)

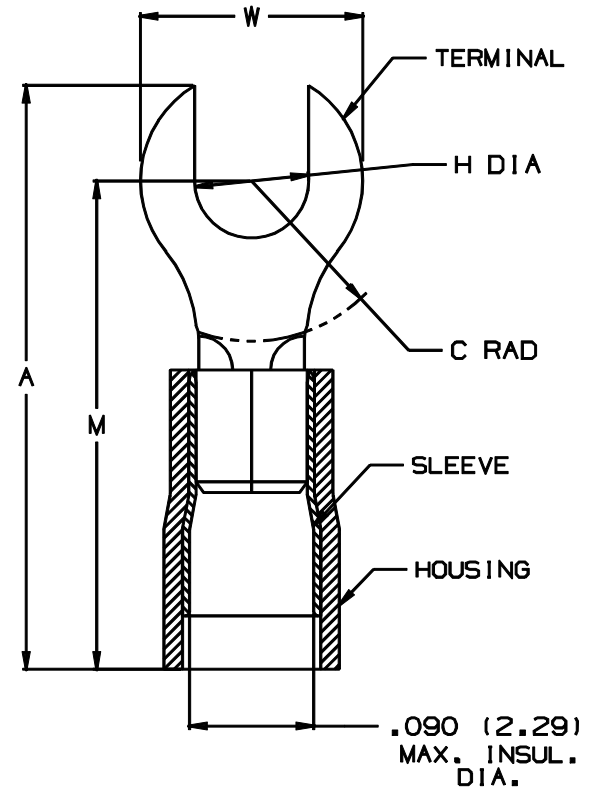
 Please [register](#) to utilize the 'Bill of Materials', 'Submit Quotes' and 'My Catalog' features.

THIS COPY IS PROVIDED ON A RESTRICTED BASIS AND IS NOT TO BE USED IN ANY WAY DETRIMENTAL TO THE INTERESTS OF PANDUIT CORP.

PART NUMBER	STUD SIZE	WIRE RANGE AWG	DIMENSIONS (in.)				
			A \pm .03	W \pm .01	C \pm .01	M \pm .02	H \pm .02
PN22-2F	#2	#26-22	.66 (16.76)	.20 (5.08)	.19 (4.85)	.56 (14.22)	.09 (2.28)

NOTES

- RECOMMENDED FOR:
 - A. 300V MAX. VOLTAGE RATING
 - B. #26-22 AWG SOLID OR STRANDED COPPER WIRE
 - C. 221°F (105°C) MAX TEMP. RATING
- MATERIAL:
 - A. STAMPING: .020 (0.51) THK COPPER, TIN PLATED.
 - B. HOUSING: YELLOW NYLON
 - C. SLEEVE: TIN PLATED BRASS
- PACKAGE QUANTITY:
 - C = 100
 - M = 1000
- DIMENSIONS IN BRACKETS ARE IN MILLIMETERS
- INSTALLATION TOOLS: CT-520, CT-1525
- WIRE STRIP LENGTH : $3/16 \text{ }^{+1/32}_{-.0}$ (4.76 $^{+0.8}_{-.0}$)



A41234_01

										PANDUIT CORP.		TINLEY PARK, ILLINOIS								
01		JKD		ADDED CT-1525 TOOL						#26-22 BARREL NYLON INSULATED FORK										
00	7/97	TM	RLS	RELEASED										06083	LCA	RM				
REV	DATE	BY	CHK	DESCRIPTION						ECN #	QA	CUST	PM	APP	DRAWN BY	CHK'D	SCALE	NONE	DRAWING NO.	A41234