

Current refinements (click to remove)

[Search Tips](#)
 [Region](#) [USA](#) [Product Family](#) [Fork Terminal, Nylon Insulated](#) [Text Search: 'PN18-6F-M'](#)
Your search criteria matched only one product, shown below.


- Fork design provides for fast and easy installation, without the need to remove fastener
- Metal insulation grip sleeve crimps to wire insulation, providing protection to the crimp joint during high vibration applications
- Internal barrel serrations assure good wire contact and maximum tensile strength
- UL Flammability UL 94V-2/HB, maximum insulation temperature 221°F (105°C)
- UL and CSA rated up to 600 V per UL 486

‡UL and CSA approved tooling/product combinations.

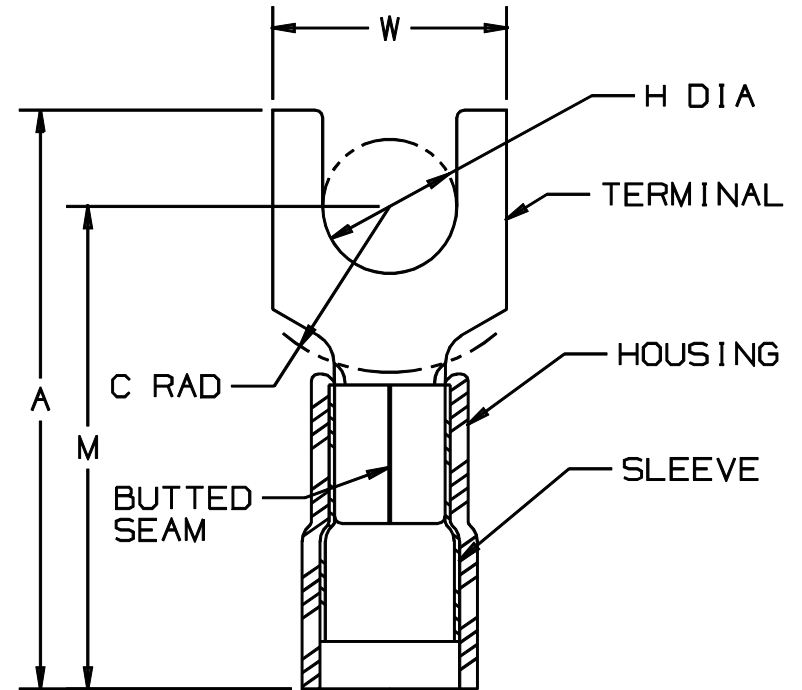
Note: Wire sizes #26 – #22 AWG, are not UL Listed or CSA Certified.

Part Number:	PN18-6F-M
RoHS Compliancy Status:	Compliant
Part Description:	Fork Terminal, nylon insulated, 22 – 18 AWG, #6 stud size.
Product Type:	Terminals
CSA Certified:	Yes
UL Listed:	Yes
Length (In.):	.78
Width (In.):	.30
Angle:	straight
Clearance:	.20
Max. Ins.:	.145
Panduit Color Code:	Red
Stock:	.03
Stud Size:	#6
Tool:	CT-100A‡, CT-600-A‡, CT-1550‡, CT-1551‡, CT-2500‡
Wire Range:	22 – 18 AWG
Wire Range (mm ²):	1.0 - 2.5
Min. Order UOM:	PC
Min. Order Qty.:	1000
BOM Qty. (# of Pkgs.)	
Add to My Catalog	

 Please [register](#) to utilize the 'Bill of Materials', 'Submit Quotes' and 'My Catalog' features.

THIS COPY IS PROVIDED ON A RESTRICTED BASIS AND IS NOT TO BE USED IN ANY WAY DETRIMENTAL TO THE INTERESTS OF PANDUIT CORP.

PANDUIT PART NUMBER		STUD SIZE	DIMENSIONS in.				
PREFIX	PK		A ^{±.03} (1.8)	W ^{±.01} (1.3)	C ^{±.02} (1.5)	M ^{±.03} (1.8)	H ^{±.01} (1.3)
PN18-6FN	-C -M	#6	.78 (19.8)	.24 (6.1)	.20 (5.1)	.64 (16.3)	.15 (3.8)
PN18-6F	-C -M	#6	.78 (19.8)	.30 (7.6)	.20 (5.1)	.64 (16.3)	.15 (3.8)
PN18-8F	-C -M	#8	.85 (21.6)	.32 (8.1)	.23 (5.8)	.68 (17.3)	.17 (4.3)
PN18-10F	-C -M	#10	.86 (21.8)	.35 (8.9)	.25 (6.3)	.70 (17.8)	.20 (5.1)
PN18-10FN	-C -M	#10	.86 (21.8)	.31 (7.9)	.25 (6.3)	.70 (17.8)	.20 (5.1)
PN18-14F	-C -M	1/4"	1.03 (26.2)	.44 (11.2)	.33 (8.4)	.78 (19.8)	.27 (6.9)



NOTES :

- UL LISTED AND CSA CERTIFIED FOR :
 - 600 V MAX. VOLTAGE RATING
 - 221°F (105°C) MAX. TEMP. RATING
 - #22-18 AWG SOLID OR STRANDED COPPER WIRE WITH CT-100 INSTALLATION TOOL
 - #22-16 AWG SOLID OR STRANDED COPPER WIRE WITH CT-500, CT-550 CT-1550, CT-1551, & CT-400 (UL ONLY) INSTALLATION TOOLS
- PANDUIT APPROVED (#22-18 AWG) WITH CT-160 & CT-260 INSTALLATION TOOLS
- WIRE STRIP LENGTH: $7/32 \begin{matrix} +1/32 \\ -0 \end{matrix}$ (5.6 $\begin{matrix} +.8 \\ -0 \end{matrix}$)
- MAX WIRE INSULATION DIA: .145 (3.68)
MIN WIRE INSULATION DIA: .080 (2.03)
- MATERIAL :
 - STAMPING : .03" (1.8) THK COPPER, TIN PLATED
 - HOUSING : RED NYLON
 - SLEEVE : TIN PLATED BRASS
- PACKAGING:
 - STD : -C = 100
 - BULK : -M = 1000
- DIMENSIONS IN BRACKETS ARE IN MILLIMETERS



LISTED
587H
E52164



CERTIFIED
LR31212

A41191_04

04	1/01	KMD		CAD FILE SPEC. WAS N41191AA_PCD_03					PANDUIT CORP. TINLEY PARK, ILLINOIS 3PC. NYLON INSULATED, 22-18 BARREL, FORKS		
03	12/96	JAMB		ADDED NOTE, "MIN WIRE INSUL. DIA."	05371						
02	5/96	TH	RLS	UPDATED NOTES & DIMENSIONS	04464	LA	DRH				
01	8/92	BK	RLS	UPDATED DIMENSIONS & FORMAT	01124	LA	JJMC				
REV	DATE	BY	CHK	DESCRIPTION	ECN #	CUST	PM	DRAWN BY FES	Ck'D RLS	SCALE NONE	DRAWING NO. A41191