

Current refinements (click  to remove)

[Search Tips](#)
 Region [USA](#)  Product Family [Fork Terminal, Nylon Insulated](#)  Text Search: 'PN14-10F-C'

**Your search criteria matched only one product, shown below.**


- Fork design provides for fast and easy installation, without the need to remove fastener
- Metal insulation grip sleeve crimps to wire insulation, providing protection to the crimp joint during high vibration applications
- Internal barrel serrations assure good wire contact and maximum tensile strength
- UL Flammability UL 94V-2/HB, maximum insulation temperature 221°F (105°C)
- UL and CSA rated up to 600 V per UL 486

‡UL and CSA approved tooling/product combinations.

Note: Wire sizes #26 – #22 AWG, are not UL Listed or CSA Certified.

|                         |   |
|-------------------------|---|
| Part Number:            | PN14-10F-C  |
| RoHS Compliancy Status: | Compliant   |
| Part Description:       | Fork Terminal, nylon insulated, 18 – 14 AWG, #10 stud size. |
| Product Type:           | Terminals   |
| CSA Certified:          | Yes   |
| UL Listed:              | Yes   |
| Length (In.):           | .87   |
| Width (In.):            | .34   |
| Clearance:              | .24   |
| Max. Ins.:              | .162  |
| Panduit Color Code:     | Blue  |
| Stock:                  | .03   |
| Stud Size:              | #10   |
| Tool:                   | CT-100A‡, CT-600, CT-1550‡, CT-1551‡, CT-2500‡              |
| Wire Range:             | 18 – 14 AWG   |
| Min. Order UOM:         | PC  |
| Min. Order Qty.:        | 100   |

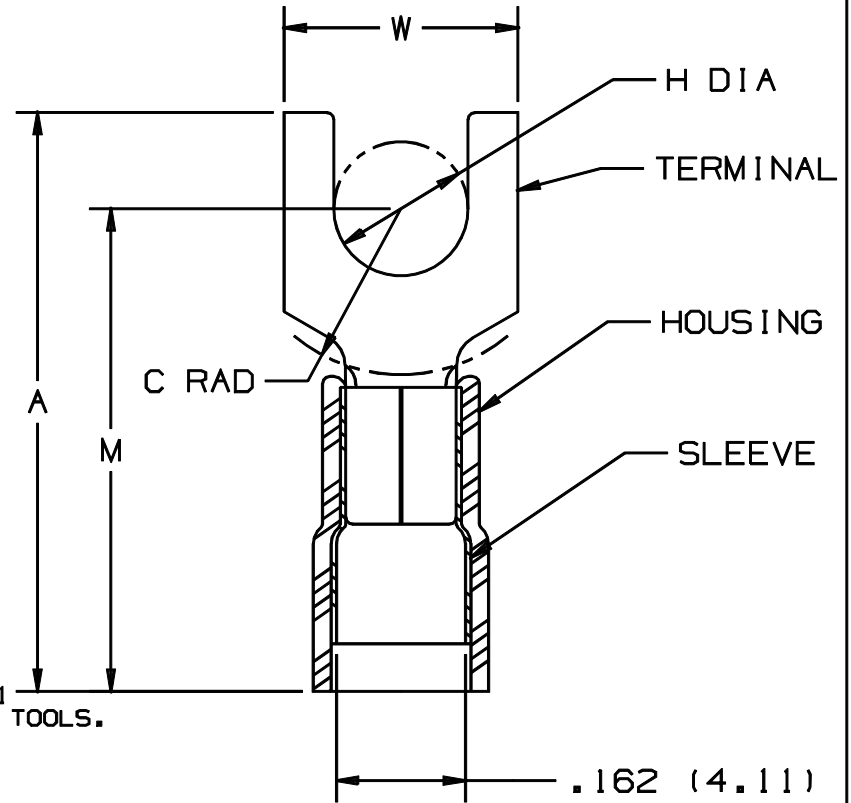
BOM Qty. (# of Pkgs.)

[Add to My Catalog](#)

 Please [register](#) to utilize the 'Bill of Materials', 'Submit Quotes' and 'My Catalog' features.

THIS COPY IS PROVIDED ON A RESTRICTED BASIS AND IS NOT TO BE USED IN ANY WAY DETRIMENTAL TO THE INTERESTS OF PANDUIT CORP.

| PANDUIT PART NUMBER | STUD SIZE | DIMENSIONS in.  |                |               |                |               |
|---------------------|-----------|-----------------|----------------|---------------|----------------|---------------|
|                     |           | A ±.03          | W ±.01         | C ±.02        | M ±.03         | H ±.01        |
| PN14-6FN            | #6        | .79<br>(20.07)  | .24<br>(6.10)  | .19<br>(4.83) | .65<br>(16.51) | .15<br>(3.81) |
| PN14-6F             | #6        | .79<br>(20.07)  | .28<br>(7.11)  | .19<br>(4.83) | .65<br>(16.51) | .15<br>(3.81) |
| PN14-8F             | #8        | .85<br>(21.59)  | .31<br>(7.87)  | .23<br>(5.84) | .67<br>(17.02) | .17<br>(4.32) |
| PN14-10F            | #10       | .87<br>(22.10)  | .34<br>(8.64)  | .24<br>(6.10) | .71<br>(18.03) | .20<br>(5.08) |
| PN14-10FN           | #10       | .87<br>(22.10)  | .31<br>(7.87)  | .24<br>(6.10) | .71<br>(18.03) | .20<br>(5.08) |
| PN14-14F            | 1/4"      | 1.02<br>(25.91) | .44<br>(11.18) | .32<br>(8.13) | .77<br>(19.56) | .27<br>(6.86) |



NOTES:

- UL LISTED AND CSA CERTIFIED FOR:
  - 600V. MAX. BLDG WIRE (1000 V. MAX IN SIGNS, FIXTURES & LUMINAIRES),
  - #18-14 AWG SOLID OR STRANDED COPPER WIRE WITH THE CT-550, CT-500, CT-1550, CT-1551 CT-460 (UL ONLY) AND CT-400 (UL ONLY) INSTALLATION TOOLS.
  - #16-14 AWG SOLID OR STRANDED COPPER WIRE WITH THE CT-100 AND CT-250 INSTALLATION TOOLS.
  - 221°F (105°C) MAX TEMP. RATING
- MATERIAL:
  - STAMPING - .032" (.81) THK COPPER, TIN PLATED
  - HOUSING - NYLON, BLUE
  - SLEEVE - BRASS, TIN PLATED

3. STRIP LENGTH - 7/32 ±.001

4. PACKAGE QTY:  
 -C=100  
 -M=1000

5. DIMENSIONS IN BRACKETS ARE IN MILLIMETERS



LISTED  
587H  
E52164



CERTIFIED  
LR31212

.162 (4.11)  
MAX WIRE  
INSUL DIA  
.080 (2.03)  
MIN. WIRE  
INSUL DIA.

A41192\_03

|     |      |      |     |   |       |      |     |  |             |               |                       |
|-----|------|------|-----|---|-------|------|-----|--|-------------|---------------|-----------------------|
| 03  | 1/01 | KMD  |     | CAD FILE SPEC. WAS N41192AA_PCD_02                  |       |      |     | <b>PANDUIT</b> CORP. TINLEY PARK, ILLINOIS   |             |               |                       |
| 02  | 1/97 | JAMB |     | ADDED DIM. "MIN. WIRE INSULATION DIA." UPDATE NOTES | 05380 |      |     |  |             |               |                       |
| 01  | 6/95 | MS   | RLS | UPDATED NOTES AND DIMENSIONS                        | 03405 | LA   | KRS | 3PC. NYLON INSULATED,<br>16-14 BARREL, FORKS |             |               |                       |
| 00  | 3/88 | FS   | LM  | RELEASED  |       | LA   | JB  |  |             |               |                       |
| REV | DATE | BY   | CHK | DESCRIPTION   | ECN#  | CUST | PM  | DRAWN BY<br>FES                              | CHK'D<br>LA | SCALE<br>NONE | DRAWING NO.<br>A41192 |