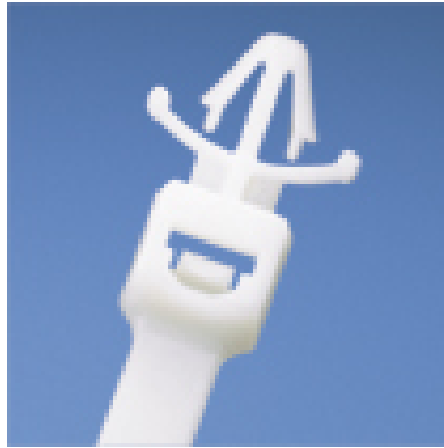


PLWP1SB-D

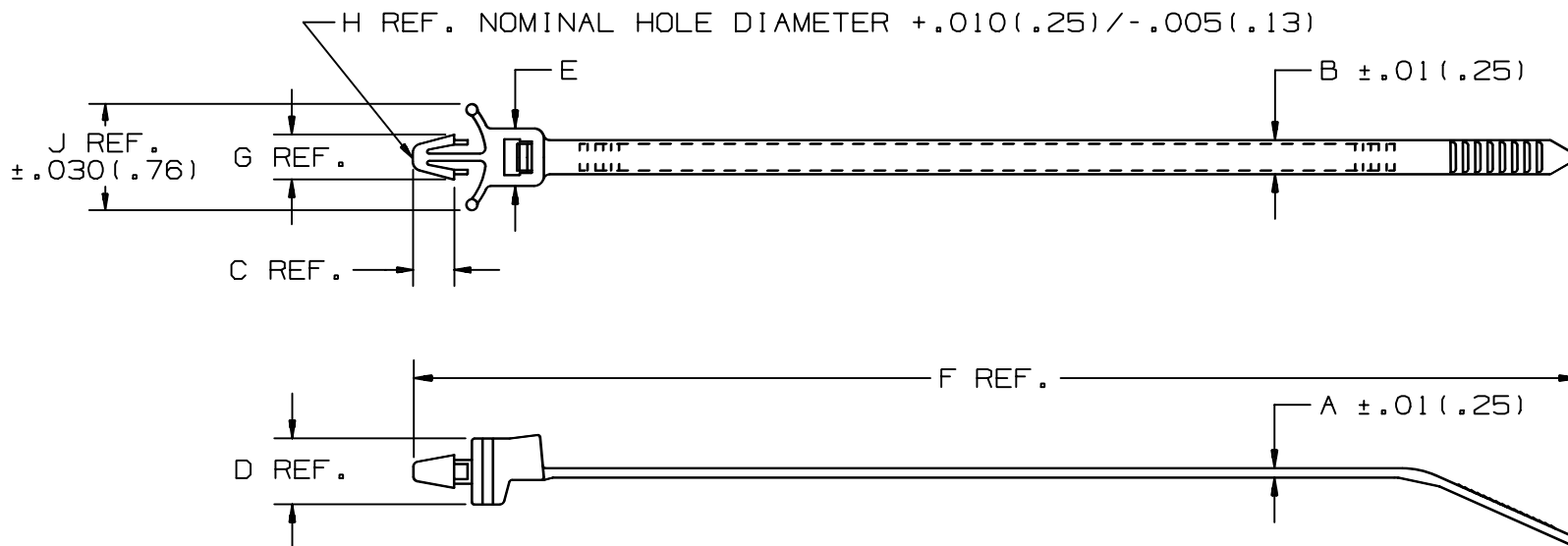


- For indoor use
- Cable tie, mount, and fastener in a single part
- Used to attach bundles to another surface such as a flat panel
- Anchor is easily pressed into a pre-formed hole and locks in place
- Wings provide constant tension for a stable, secure and rattle-free installation
- Curved tip is easy to pick up from flat surfaces and allows faster initial threading to speed installation

| | |
|-------------------------------------|---|
| ■ Part Number | PLWP1SB-D |
| ■ RoHS Compliancy Status | Compliant |
| ■ Part Description | Wing Push Mount Tie, 5.2", Standard cross section |
| ■ Product Type | Cable Ties |
| ■ Material | Nylon 6.6 |
| ■ Color | Natural |
| ■ CSA Certified | Yes |
| ■ UL Listed (File #E56854) | No |
| ■ UL Recognized (File #E56854) | Yes |
| ■ Length (In.) | 5.2 |
| ■ Length (mm) | 132 |
| ■ Width (In.) | .190 |
| ■ Width (mm) | 4.8 |
| ■ CE Compliant | Yes |
| ■ Cross Section | Standard |
| ■ Head Height (In.) | .370 |
| ■ Head Height (mm) | 9.4 |
| ■ Locking Style | Locking |
| ■ Material Flammability Rating | UL 94V-2 |
| ■ Max. Bundle Diameter (In.) | 1.00 |
| ■ Max. Bundle Diameter (mm) | 25 |
| ■ Max. Continuous Use Temperature | 185°F (85°C) |
| ■ Max. Panel Thickness (In.) | .157 |
| ■ Max. Panel Thickness (mm) | 4.0 |
| ■ Min. Loop Tensile Strength (Lbs.) | 50 |
| ■ Min. Loop Tensile Strength (N) | 222 |

| | |
|-------------------------------|--|
| ■ Nominal Hole Diameter (In.) | .187 |
| ■ Nominal Hole Diameter (mm) | 4.7 |
| ■ Pricing Description | Wing Push Mount Tie, 5.2"L (132mm), Standard, Nylon, Natural |
| ■ Thickness (In.) | .052 |
| ■ Thickness (mm) | 1.3 |
| ■ Tool | GTS, GTSL, GS2B, GTH, GS4H, PTS, PTH, PPTS, STS2, STH2 |
| ■ Min. Order UOM | PC |
| ■ Min. Order Qty. | 500 |
| ■ BOM Qty. (# of Pkgs.) | |

THIS COPY IS PROVIDED ON A RESTRICTED BASIS AND IS NOT TO BE USED IN ANY WAY DETRIMENTAL TO THE INTERESTS OF PANDUIT CORP.



| PANDUIT PART NO. | BUNDLE DIA. | | A | B | C | D | E | F | G | H | J | MAX. PANEL THICKNESS in (mm) | MIN. LOOP TENSILE lbs (N) | CROSS SECTION | WEIGHT 100 pcs lbs (g) |
|------------------|-----------------|-----------------|---------------|---------------|---------------|---------------|---------------|--------------|---------------|---------------|----------------|---------------------------------|------------------------------|---------------|------------------------------|
| | MIN. in (mm) | MAX. in (mm) | | | | | | | | | | | | | |
| PLWP1SB | .06 (1.5) | 1.0 (25.4) | .052 (1.3) | .190 (4.8) | .230 (5.8) | .370 (9.4) | .320 (8.1) | 5.2 (132) | .260 (6.6) | .187 (4.7) | .593 (15.1) | .157 (4.0) | 50 (222) | STANDARD | .29 (132) |
| PLWP2SB | .06 (1.5) | 1.75 (44.5) | .052 (1.3) | .190 (4.8) | .230 (5.8) | .370 (9.4) | .320 (8.1) | 7.8 (198) | .260 (6.6) | .187 (4.7) | .593 (15.1) | .157 (4.0) | 50 (222) | STANDARD | .37 (168) |

NOTE: SEE CURRENT PRICE SHEET FOR PART NUMBER SUFFIX DESIGNATION FOR PACKAGE SIZE, MATERIAL AND PART COLOR.

DIMENSIONS IN PARENTHESES ARE IN METRIC UNITS

PANDUIT CORP. TINLEY PARK, ILLINOIS

LOCKING WING PUSH MOUNT TIE
PLWP1SB & 2SB

UNLESS OTHERWISE SPECIFIED,
DIMENSIONAL TOLERANCES ARE:
(.X) ± .1(2.5) (.XXX) ± .020(.51)
(.XX) ± .02(1.5) ANGLES ± -----

UNLESS OTHERWISE SPECIFIED,
ALL DIMENSIONS ARE GIVEN
IN INCHES, THIRD ANGLE PROJECTION.

DRAWN BY
KJL

MAT'L:

SCALE NONE

| 6 | 1/19/04 | JABO | | CHANGED FORMAT FOR CONSISTENCY SEE ECN FOR DETAILS | 23526 | 6 | | | | | | | | | |
|-----|---------|------|-----|---|-------|---|------|-----|--|--|--|--|--|--|--|
| REV | DATE | BY | CHK | DESCRIPTION | ECN | R | CUST | SUP | | | | | | | |

DATE
11/23/88

SEE NOTE

DRAWING NO.
SS-23526

DWG
A
SIZE

CHK'D
HVP