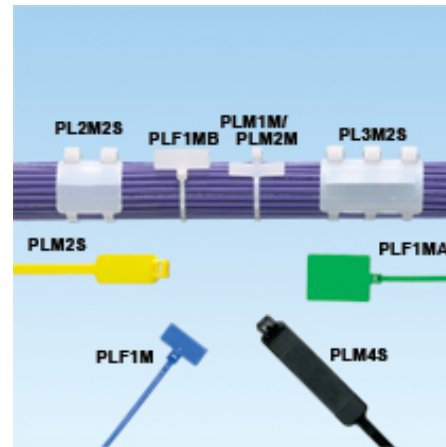




PLM4S-D

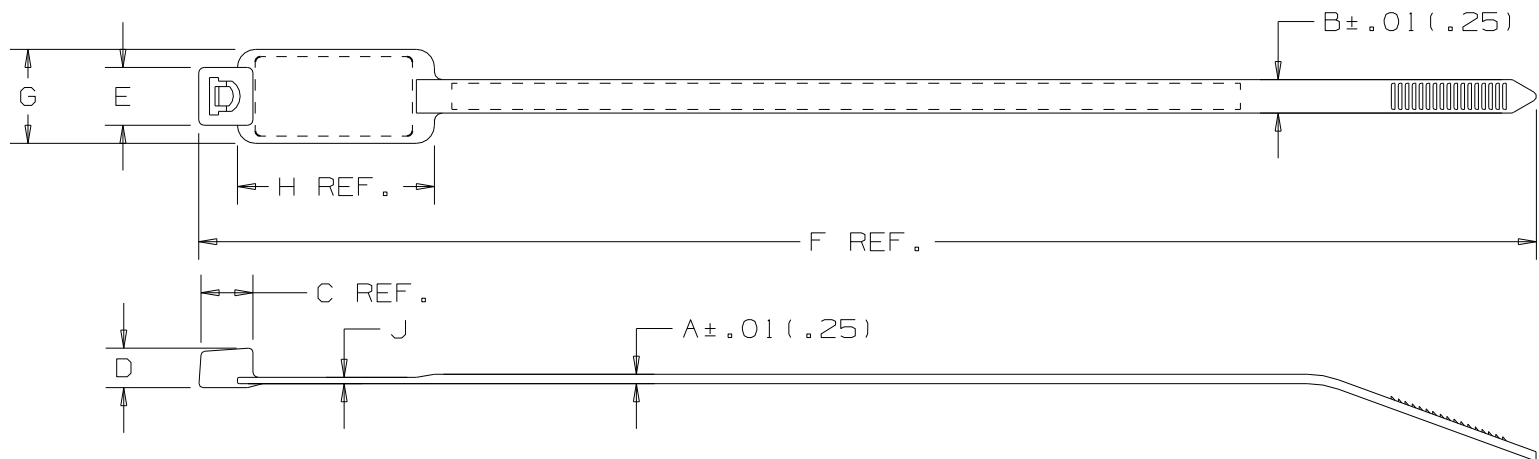


- For indoor use
- Used to fasten and identify bundles at the same time
- One-piece construction for consistent performance and reliability
- Can be marked with *PANDUIT* marker pens or custom imprinted with text, symbols, or trademarks available using *PANDUIT* Custom Hot Stamping Service
- Curved tip is easy to pick up from flat surfaces and allows faster initial threading to speed installation

| | |
|--------------------------------|---|
| • Part Number | PLM4S-D |
| • RoHS Compliancy Status | Compliant |
| • Part Description | Marker Tie, Wrap, 14.6", Standard cross section |
| • Product Type | Cable Ties |
| • Material | Nylon 6.6 |
| • Color | Natural |
| • CSA Certified | Yes |
| • Mil. Std. Part Number | MS3368-2-9A |
| • UL Listed (File #E56854) | No |
| • UL Recognized (File #E56854) | Yes |
| • Length (In.) | 14.6 |
| • Length (mm) | 371 |
| • Width (In.) | .185 |
| • Width (mm) | 4.7 |
| • CE Compliant | Yes |
| • Cross Section | Standard |
| • Head Height (In.) | .220 |
| • Head Height (mm) | 5.6 |
| • Head Width (In.) | .320 |
| • Head Width (mm) | 8.1 |
| • Locking Style | Locking |
| • Marker Type | Wrap |
| • Marker Write-On Area (In.) | .44 x 2.00 |
| • Marker Write-On Area (mm) | 11.1 x 50.8 |
| • Material Flammability Rating | UL 94V-2 |
| • Max. Bundle Diameter (In.) | 4.00 |

| | |
|-------------------------------------|--|
| ▪ Max. Bundle Diameter (mm) | 102 |
| ▪ Max. Continuous Use Temperature | 185°F (85°C) |
| ▪ Min. Loop Tensile Strength (Lbs.) | 50 |
| ▪ Min. Loop Tensile Strength (N) | 222 |
| ▪ Pricing Description | Marker Tie, Wrap, 14.6"L (371mm), Standard, Nylon, Natural |
| ▪ Thickness (In.) | .052 |
| ▪ Thickness (mm) | 1.3 |
| ▪ Tool | GTS, GTSL, GS2B, GTH, GS4H, PTS, PTH, PPTS, STS2, STH2 |
| ▪ Min. Order UOM | PC |
| ▪ Min. Order Qty. | 500 |
| ▪ BOM Qty. (# of Pkgs.) | |

THIS COPY IS PROVIDED ON A RESTRICTED BASIS AND IS NOT TO BE USED IN ANY WAY DETRIMENTAL TO THE INTERESTS OF PANDUIT CORP.



| PANDUIT PART NO.* | BUNDLE DIA. | | A in (mm) | B in (mm) | C in (mm) | D in (mm) | E in (mm) | F in (mm) | G in (mm) | H in (mm) | J in (mm) | WRITE-ON AREA in (mm) | MIN. LOOP TENSILE lbs. (N) | CROSS-SECTION | WEIGHT lbs/100pcs. (g) |
|-------------------|-----------------|-----------------|-----------------|-----------------|-----------------|-----------------|-----------------|-----------------|-----------------|-----------------|-----------------|-----------------------------|-------------------------------|---------------|------------------------------|
| | MIN. in (mm) | MAX. in (mm) | | | | | | | | | | | | | |
| PLM2S | .37 (9.5) | 1.75 (45.) | .052 (1.3) | .185 (4.7) | .258 (6.6) | .220 (5.6) | .320 (8.1) | 7.4 (188) | .520 (13.2) | 1.09 (27.7) | .035 (.9) | .44 × .87 (11.1 × 22.1) | 50 (222) | STANDARD | .3 (147) |
| PLM4S | .75 (19) | 4.00 (102) | .052 (1.3) | .185 (4.7) | .258 (6.6) | .220 (5.6) | .320 (8.1) | 14.6 (371) | .520 (13.2) | 2.10 (53.3) | .040 (1.0) | .44 × 2.00 (11.1 × 50.8) | 50 (222) | STANDARD | .6 (272) |

NOTES:

- *1) SEE CURRENT PRICE SHEET FOR PART NUMBER SUFFIX DESIGNATION FOR PACKAGE SIZE AND PART COLOR.
- 2) RECOGNIZED UNDER THE COMPONENT PROGRAM OF UNDERWRITERS LABORATORIES INC.

DIMENSIONS IN PARENTHESES ARE IN METRIC UNITS.

PANDUIT CORP. TINLEY PARK, ILLINOIS
PAN-TY® MARKER TIE
PLM SERIES

UNLESS OTHERWISE SPECIFIED,
 DIMENSIONAL TOLERANCES ARE:
 (.X) ± .005 (.XXX) ± .020 (.51)
 (.XX) ± .02 (.5) ANGLES ± .005

UNLESS OTHERWISE SPECIFIED,
 ALL DIMENSIONS ARE GIVEN
 IN INCHES, THIRD ANGLE PROJECTION.

DRAWN BY
 L.V/AJC

MAT'L:

SCALE
 NONE

DATE
 3-29-71

NYLON 6.6

DRAWING NO.
 SS-2880

DWG
 A
 SIZE

| 6 | 6/27/06 | ERW | | CORRECTED REFERENCE DIMENSIONS. | 2880 | 6 | | | | | | | | | |
|-----|---------|-----|-----|---------------------------------|------|---|------|-----|--|--|--|--|--|--|--|
| REV | DATE | BY | CHK | DESCRIPTION | ECN | R | CUST | SUP | | | | | | | |

CHK'D
 HVP