

PLM2S-C

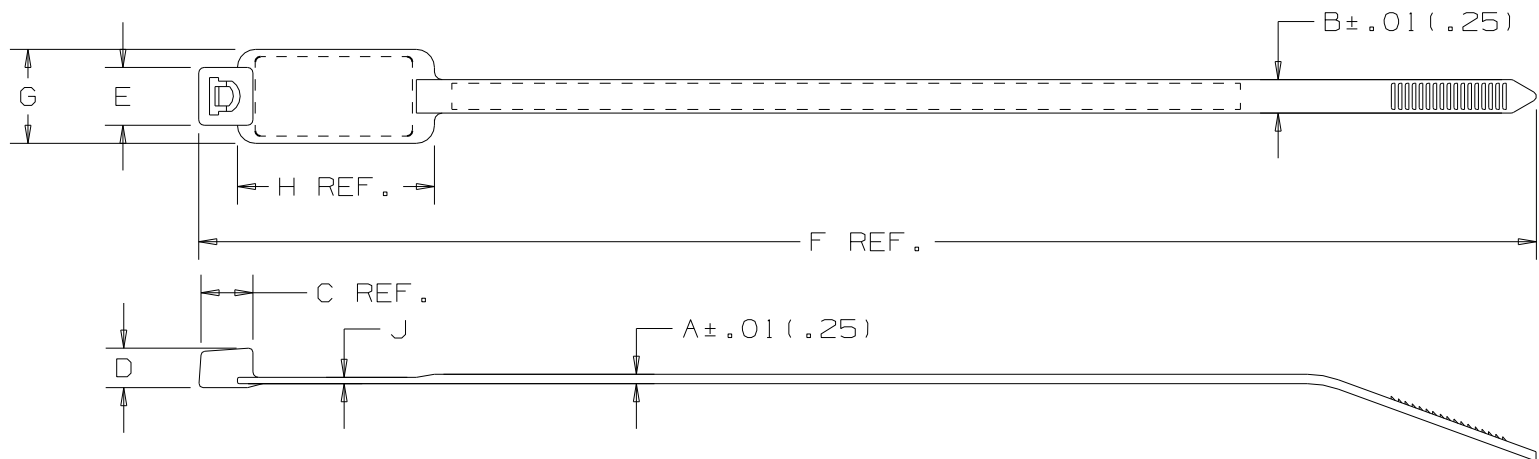


- For indoor use
- Used to fasten and identify bundles at the same time
- One-piece construction for consistent performance and reliability
- Can be marked with *PANDUIT* marker pens or custom imprinted with text, symbols, or trademarks available using *PANDUIT* Custom Hot Stamping Service
- Curved tip is easy to pick up from flat surfaces and allows faster initial threading to speed installation

■ Part Number	PLM2S-C
■ RoHS Compliancy Status	Compliant
■ Part Description	Marker Tie, Wrap, 7.4", Standard cross section
■ Product Type	Cable Ties
■ Material	Nylon 6.6
■ Color	Natural
■ CSA Certified	Yes
■ Mil. Std. Part Number	MS3368-1-9A
■ UL Listed (File #E56854)	No
■ UL Recognized (File #E56854)	Yes
■ Length (In.)	7.4
■ Length (mm)	188
■ Width (In.)	.185
■ Width (mm)	4.7
■ CE Compliant	Yes
■ Cross Section	Standard
■ Head Height (In.)	.220
■ Head Height (mm)	5.6
■ Head Width (In.)	.320
■ Head Width (mm)	8.1
■ Locking Style	Locking
■ Marker Type	Wrap
■ Marker Write-On Area (In.)	.44 x .87
■ Marker Write-On Area (mm)	11.1 x 22.1
■ Material Flammability Rating	UL 94V-2
■ Max. Bundle Diameter (In.)	1.75

▪ Max. Bundle Diameter (mm)	45
▪ Max. Continuous Use Temperature	185°F (85°C)
▪ Min. Loop Tensile Strength (Lbs.)	50
▪ Min. Loop Tensile Strength (N)	222
▪ Pricing Description	Marker Tie, Wrap, 7.4"L (188mm), Standard, Nylon, Natural
▪ Thickness (In.)	.052
▪ Thickness (mm)	1.3
▪ Tool	GTS, GTSL, GS2B, GTH, GS4H, PTS, PTH, PPTS, STS2, STH2
▪ Min. Order UOM	PC
▪ Min. Order Qty.	100
▪ BOM Qty. (# of Pkgs.)	

THIS COPY IS PROVIDED ON A RESTRICTED BASIS AND IS NOT TO BE USED IN ANY WAY DETRIMENTAL TO THE INTERESTS OF PANDUIT CORP.



PANDUIT PART NO.*	BUNDLE DIA.		A in (mm)	B in (mm)	C in (mm)	D in (mm)	E in (mm)	F in (mm)	G in (mm)	H in (mm)	J in (mm)	WRITE-ON AREA in (mm)	MIN. LOOP TENSILE lbs. (N)	CROSS-SECTION	WEIGHT lbs/100pcs. (g)
	MIN. in (mm)	MAX. in (mm)													
PLM2S	.37 (9.5)	1.75 (45.)	.052 (1.3)	.185 (4.7)	.258 (6.6)	.220 (5.6)	.320 (8.1)	7.4 (188)	.520 (13.2)	1.09 (27.7)	.035 (.9)	.44 × .87 (11.1 × 22.1)	50 (222)	STANDARD	.3 (147)
PLM4S	.75 (19)	4.00 (102)	.052 (1.3)	.185 (4.7)	.258 (6.6)	.220 (5.6)	.320 (8.1)	14.6 (371)	.520 (13.2)	2.10 (53.3)	.040 (1.0)	.44 × 2.00 (11.1 × 50.8)	50 (222)	STANDARD	.6 (272)

NOTES:

- *1) SEE CURRENT PRICE SHEET FOR PART NUMBER SUFFIX DESIGNATION FOR PACKAGE SIZE AND PART COLOR.
- 2) RECOGNIZED UNDER THE COMPONENT PROGRAM OF UNDERWRITERS LABORATORIES INC.

DIMENSIONS IN PARENTHESES ARE IN METRIC UNITS.

PANDUIT CORP. TINLEY PARK, ILLINOIS
 PAN-TY® MARKER TIE
 PLM SERIES

UNLESS OTHERWISE SPECIFIED,
 DIMENSIONAL TOLERANCES ARE:
 (.X) ± .0005 (.XXX) ± .0015
 (.XX) ± .0015 ANGLES ± .0005

UNLESS OTHERWISE SPECIFIED,
 ALL DIMENSIONS ARE GIVEN
 IN INCHES, THIRD ANGLE PROJECTION.

DRAWN BY
 L.V/AJC

MAT'L:

SCALE
 NONE

DATE
 3-29-71

NYLON 6.6

DRAWING NO.
 SS-2880

DWG
 A
 SIZE

6	6/27/06	ERW		CORRECTED REFERENCE DIMENSIONS.	2880	6									
REV	DATE	BY	CHK	DESCRIPTION	ECN	R	CUST	SUP							

CHK'D
 HVP