

## PFX-2



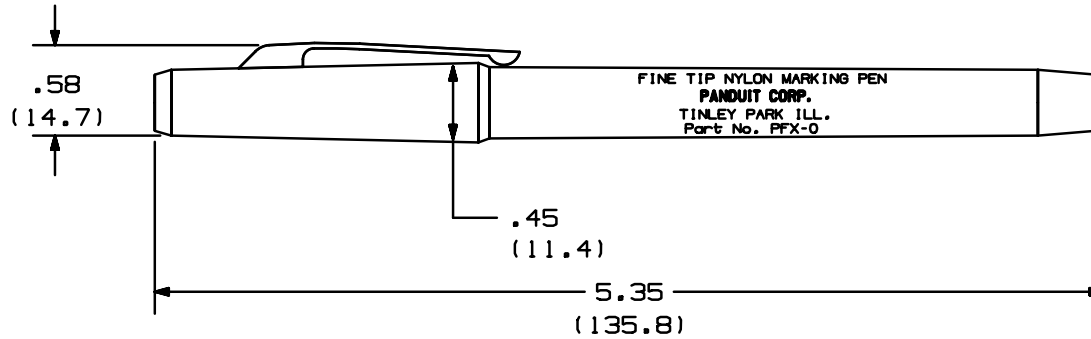
- Fast drying, permanent ink – legible identification on nylon
- Used with marker ties, write-on labels and tags, where ordinary marking pens will not work



|                          |                                  |
|--------------------------|----------------------------------|
| ▪ Part Number            | PFX-2                            |
| ▪ RoHS Compliancy Status | Compliant                        |
| ▪ Part Description       | Permanent marking pen – fine tip |
| ▪ Product Type           | Marking Pen                      |
| ▪ Color                  | Red                              |
| ▪ Pricing Description    | Marking Pen, Fine Tip, Red       |
| ▪ Tip Style              | Fine                             |
| ▪ Min. Order UOM         | PC                               |
| ▪ Min. Order Qty.        | 12                               |
| ▪ BOM Qty. (# of Pkgs.)  |                                  |

THIS COPY IS PROVIDED ON A RESTRICTED BASIS AND IS NOT TO BE USED IN ANY WAY DETRIMENTAL TO THE INTERESTS OF PANDUIT CORP.

| PANDUIT PART NO. | COLOR |
|------------------|-------|
| PFX-0            | BLACK |
| PFX-2            | RED   |



NOTES:

- FOR USE ON NYLON MARKER TIES AND MARKER PLATES.

|     |         |    |     |                  |  |  |       |   |   |   |     |   |  |                  |  |
|-----|---------|----|-----|------------------|--|--|-------|---|---|---|-----|---|--|------------------|--|
|     |         |    |     |                  |  |  |       |   |   | CAD FILENAME/LAYERS   |     | SS_27146.PRT  |  |                  |  |
|     |         |    |     |                  |  |  |       |   |   | <h1>PANDUIT</h1> CORP. TINLEY PARK, ILLINOIS                              |     |   |  |                  |  |
|     |         |    |     |                  |  |  |       |   |   | FINE TIP NYLON MARKING PEN<br>PFX-0 PFX-2                                 |     |   |  |                  |  |
|     |         |    |     |                  |  |  |       |   |   | UNLESS OTHERWISE SPECIFIED,<br>DIMENSIONAL TOLERANCES ARE:                |     | UNLESS OTHERWISE SPECIFIED,<br>ALL DIMENSIONS ARE GIVEN<br>IN INCHES, THIRD ANGLE PROJECTION. |  |                  |  |
|     |         |    |     |                  |  |  |       |   |   | (.X) ±                    (.XXX) ±<br>(.XX) ±                    ANGLES ± |     | SCALE NONE  |  |                  |  |
|     |         |    |     |                  |  |  |       |   |   | DRAWN BY<br>KET   |     | MAT'L:  |  |                  |  |
|     |         |    |     |                  |  |  |       |   |   | DATE<br>5/26/98   |     |   |  |                  |  |
|     |         |    |     |                  |  |  |       |   |   | CHK'D   |     | DRAWING NO.<br>SS-27146   |  | DWG<br>A<br>SIZE |  |
| REV | DATE    | BY | CHK | DESCRIPTION      |  |  | ECN   | - | R | CUST  | SUP |   |  |                  |  |
| R   | 5/26/98 | KT |     | DRAWING RELEASED |  |  | 27146 |   | R |   |     |   |  |                  |  |