



Current refinements (click  to remove)

[Search Tips](#) 
 [Region](#)  [USA](#)
 [Product Family](#)  [Ring Terminal, Large Wire Non-Insulated](#)
 [Text Search: 'P6-14R-E'](#)
Your search criteria matched only one product, shown below.


- Designed for use with #8 - #2 AWG copper wire
- Ring tongue design assures a secure connection in high vibration applications
- Internal barrel serrations assure good wire contact and maximum tensile strength
- Brazed seam protects terminal barrel from splitting during the crimp process
- Barrel of terminal internally beveled to provide quick and easy wire insertion
- Maximum recommended operating temperature 302°F (150°C)

‡UL and CSA approved tooling/product combinations.

| | |
|--------------------------------|------------------------------------------------------------------|
| Part Number: | P6-14R-E |
| RoHS Compliancy Status: | Compliant |
| Part Description: | Ring terminal, large wire, 6 AWG, 1/4" stud size, non-insulated. |
| Product Type: | Terminals |
| CSA Certified: | Yes |
| UL Listed: | Yes |
| Length (In.): | 1.21 |
| Width (In.): | .47 |
| Angle: | straight |
| Clearance: | .43 |
| Stock: | .05 |
| Stud Size: | 1/4" |
| Tool: | CT-1701‡ |
| Wire Range: | 6 AWG |
| Wire Range (mm ²): | 16 |
| Min. Order UOM: | PC |
| Min. Order Qty.: | 20 |

BOM Qty. (# of Pkgs.)

[Add to My Catalog](#)

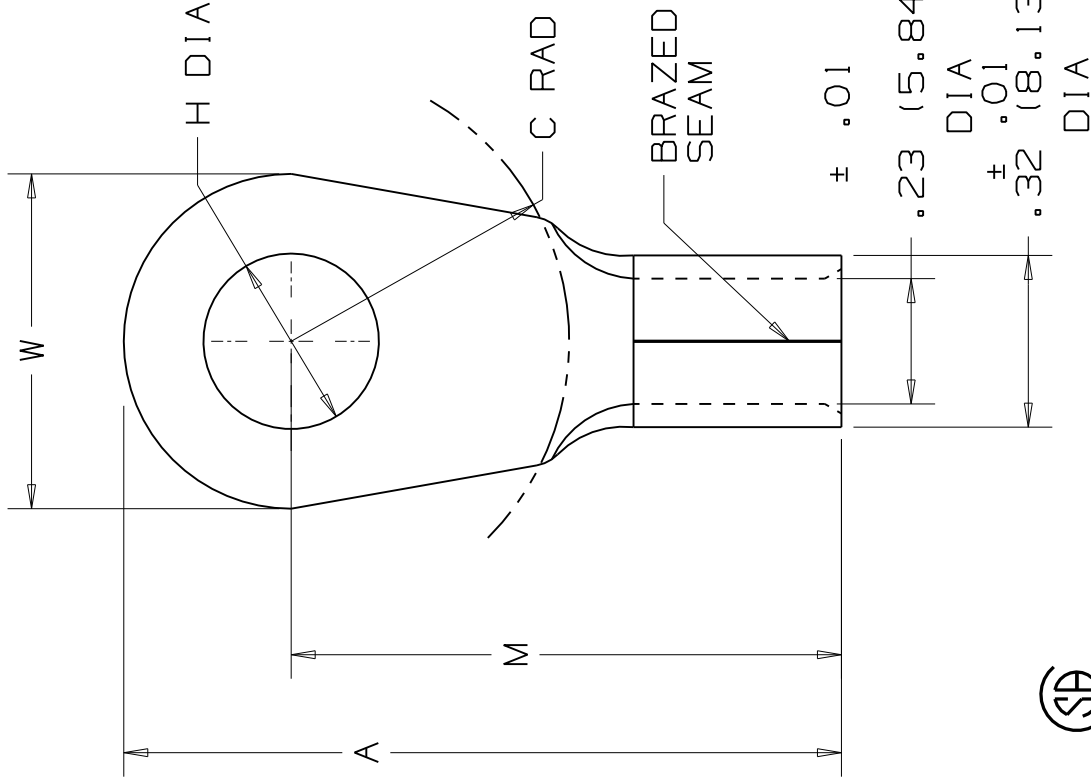
 Please [register](#) to utilize the 'Bill of Materials', 'Submit Quotes' and 'My Catalog' features.

THIS COPY IS PROVIDED ON A RESTRICTED BASIS AND IS NOT TO BE USED IN ANY WAY DETRIMENTAL TO THE INTERESTS OF PANDUIT CORP.

| PANDUIT PART NUMBER | STUD SIZE | DIMENSIONS in. | | | | |
|---------------------|-----------|-----------------|----------------|----------------|-----------------|----------------|
| | | A $\pm .03$ | W $\pm .01$ | C $\pm .02$ | M $\pm .03$ | H $\pm .01$ |
| P6-8R | #8 | 1.21 (30.73) | .47 (11.94) | .43 (10.92) | .97 (24.64) | .17 (4.32) |
| P6-10R | #10 | 1.21 (30.73) | .47 (11.94) | .43 (10.92) | .97 (24.64) | .20 (5.08) |
| P6-14R | 1/4" | 1.21 (30.73) | .47 (11.94) | .43 (10.92) | .97 (24.64) | .27 (6.86) |
| P6-56R | 5/16" | 1.33 (33.78) | .62 (15.75) | .51 (12.95) | 1.02 (25.91) | .33 (8.38) |
| P6-38R | 3/8" | 1.33 (33.78) | .62 (15.75) | .51 (12.95) | 1.02 (25.91) | .39 (9.91) |
| P6-12R | 1/2" | 1.43 (36.32) | .82 (20.83) | .51 (12.95) | 1.02 (25.91) | .52 (13.21) |

NOTES:

- UL LISTED AND CSA CERTIFIED FOR:
A. 302° F (150° C) MAX OPERATING TEMP
B. #6 AWG STRANDED COPPER WIRE
- PACKAGE QTY: STD. PKG. -E=20
BULK PKG. -T=200
- MATERIAL: .045" (1.14) THK COPPER, TIN PLATED
- DIMENSIONS IN BRACKETS ARE IN MILLIMETERS
- INSTALLATION TOOL: CT-1701
- WIRE STRIP LENGTH: 7/16 $^{+1/32}_{-0}$ (11.1 $^{+.8}_{-.0}$)



LISTED
587H
E52164



CERTIFIED
LR31212

A41214

| | | | | | | | |
|-----|-------|-----|-----|------------------------------------------------------|---------|------|-----|
| 04 | 4/07 | BCT | LCA | CHANGED THE INSTALLATION TOOL FROM CT-700 TO CT-1701 | TRO0256 | LCA | TRO |
| 03 | 1/01 | KMD | | CAD FILE SPEC. WAS N41214AA_PCD_02 | | | |
| 02 | 10/94 | TH | | UPDATED NOTES AND DIMENSIONS | | | |
| 01 | 7-88 | DW | | REDRAWN WITH REVISIONS | | | |
| REV | DATE | BY | CHK | DESCRIPTION | ECN # | CUST | PM |



TINLEY PARK, ILLINOIS

#6 BARREL NON-INSULATED RING TONGUE

DRAWING NO. A41214

SCALE

NONE

DRAWN BY DAW

PM

CUST

ECN #

DESCRIPTION