

Series image - Reference only

EU RoHS	China RoHS
ELV and RoHS Compliant	

Search Parts in this Series

[19002 Series](#)

Application Tooling

Global

Description

Hand Crimp Tool

Crimp Head for the AT-200™ Pneumatic Hand Tool

Product

[0640010800](#)

[0640050800](#)

Part Number: **0190020013**

Status: **Active**

Description: Avikrimp™ Fully Insulated Quick Disconnect, Female, for 18-22 AWG Wire, Box

Documents:

- [Drawing \(PDF\)](#)
- [Related Catalog Page \(PDF\)](#)

Order Products:

- [Check Distributor Inventory](#)
- [Request Samples](#)

Part Detail: [\(show all\)](#)

- **General**
- **Physical**
- **Electrical**
- **Material Info**
- **Reference - Drawing Numbers**

General

Product Family	Quick Disconnects
Series	<u>19002</u>
Product Name	Avikrimp™
Type	Quick Disconnect

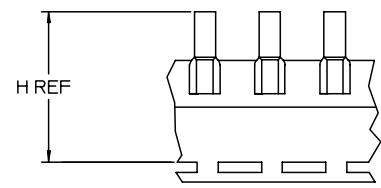
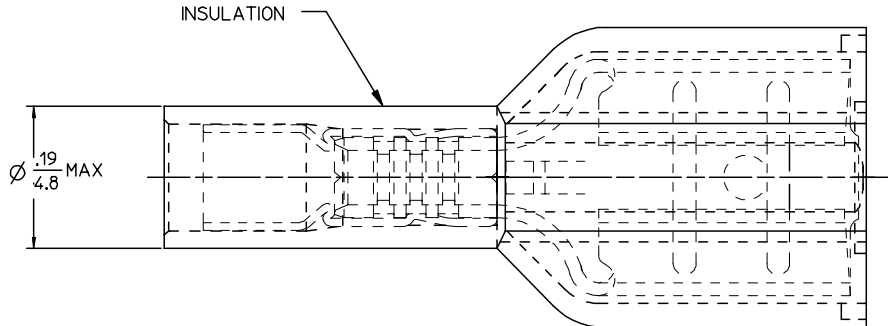
Physical

Barrel Type	Closed
Flammability	94 V-0
Gender	Female
Insulation	Nylon (PA)
Lock to Mating Part	None
Material - Metal	Brass
Material - Plating Mating	Tin
Material - Plating Termination	Tin
Orientation	Straight
Packaging Type	Box
Plating min: Mating (uin)	160
Plating min: Mating (um)	4
Plating min: Termination (uin)	160
Plating min: Termination (um)	4
Polarized to Mating Part	No
Tab Thickness	0.51mm (.020")
Tab Width	2.79mm (.110")
Temperature Range - Operating	-65°C to +105°C
Termination Interface: Style	Crimp or Compression
Wire Insulation Diameter	3.17mm (.125") max.
Wire Size AWG	18
Wire Size AWG	20
Wire Size AWG	22
Wire Size mm ²	0.35 - 0.80

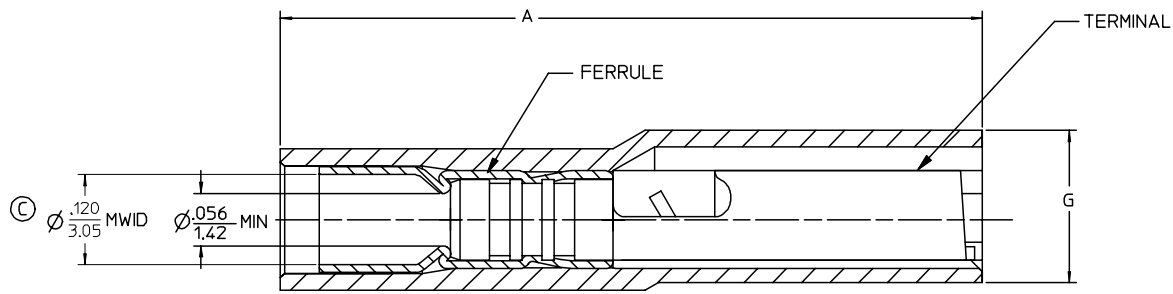
Electrical

CSA	LR18689
UL	E79133
Voltage - Maximum	300V

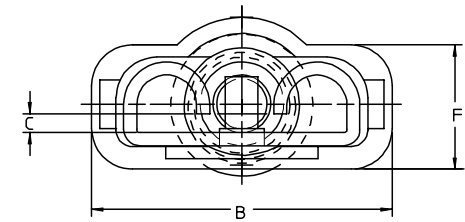
	13	12	11	10	9	8	7	6	5	4	3	2	1						
J	MATERIAL NUMBER LOOSE PCS	ENGINEERING NUMBER LOOSE PCS	MATERIAL NUMBER ON STRIP	ENGINEERING NUMBER ON STRIP	MATERIAL NUMBER ON TAPE	ENGINEERING NUMBER ON TAPE	MATERIAL NUMBER REV WOUND ON TAPE	ENGINEERING NUMBER REV WOUND ON TAPE	MATERIAL NUMBER ON TAPE BIG REEL	ENGINEERING NUMBER ON TAPE BIG REEL	CURL HEIGHT "C" REF	ACCEPTS TAB SIZE	STOCK THK	"A" MAX	"B" MAX	"F" REF	"G" MAX	"H" REF	J
	190020001	AA-5261	190020004	AA-5261Z	190020002	AA-5261T	190020003	AA-5261TR	190020047	AA-5261BT	.028/0.71	.250 X .032	.016/0.41	.89/22.6	.38/9.7	.16/4.1	.20/5.1	1.425/36.20	
	190020019	AA-5283	190020059	AA-5283Z	190020020	AA-5283T	190020058	AA-5283TR			.017/0.43	.205 X .020	.016/0.41	.80/20.3	.32/8.1	.16/4.1	.22/5.6	1.395/35.43	
	190020021	AA-5285	190020023	AA-5285Z	190020022	AA-5285T	190020060	AA-5285TR			.028/0.71	.205 X .032	.016/0.41	.80/20.3	.32/8.1	.16/4.1	.22/5.6	1.395/35.43	
	190020005	AA-5267	190020008	AA-5267Z	190020007	AA-5267T			190020006	AA-5267BT	.017/0.43	.187 X .020	.016/0.41	.80/20.3	.32/8.1	.16/4.1	.22/5.6	1.380/35.10	
	190020009	AA-5271	190020012	AA-5271Z	190020010	AA-5271T	190020011	AA-5271TR			.028/0.71	.187 X .032	.016/0.41	.80/20.3	.32/8.1	.16/4.1	.22/5.6	1.380/35.10	
I	190020013	AA-5275	190020015	AA-5275Z	190020014	AA-5275T					.016/0.41	.110 X .020	.012/0.31	.80/20.3	.23/5.8	.13/3.3	.20/5.1	1.380/35.05	I
	190020016	AA-5279	190020018	AA-5279Z	190020017	AA-5279T	190020065	AA-5279TR			.028/0.71	.110 X .032	.012/0.31	.80/20.3	.23/5.8	.13/3.3	.20/5.1	1.380/35.05	



PARTS ON TAPE



TERMINAL IS NOT SECTIONED FOR CLARITY



SALES DRAWING

NOTES:

- MATERIAL: TERMINAL BRASS
TERMINAL PLATING: ELECTRO TIN
FERRULE: BRASS
FERRULE PLATING: ELECTRO TIN
INSULATION: NYLON 94V2 COLOR RED.
- MWID = MAXIMUM WIRE INSULATION DIAMETER

WASFEMAVKCD EC NO: ETC2005-0172 DRW/BENDERLE 2005/04/25 CHKDR/DEROSS 2005/04/26 APPR/R/DEROSS 2005/04/26	QUALITY SYMBOLS	GENERAL TOLERANCES (UNLESS SPECIFIED)	DIMENSION STYLE	SCALE	DESIGN UNITS	THIRD ANGLE PROJECTION																		
	$\nabla=0$ $\nabla=0$	<table border="1"> <tr> <th></th> <th>mm</th> <th>INCH</th> </tr> <tr> <td>4 PLACES</td> <td>± ---</td> <td>± ---</td> </tr> <tr> <td>3 PLACES</td> <td>± ---</td> <td>± .005</td> </tr> <tr> <td>2 PLACES</td> <td>± 0.13</td> <td>± .01</td> </tr> <tr> <td>1 PLACE</td> <td>± 0.25</td> <td>± ---</td> </tr> <tr> <td colspan="3">ANGULAR ±1/2°</td> </tr> </table>		mm	INCH	4 PLACES	± ---	± ---	3 PLACES	± ---	± .005	2 PLACES	± 0.13	± .01	1 PLACE	± 0.25	± ---	ANGULAR ±1/2°			IN/MM	4:1	INCH	
		mm	INCH																					
	4 PLACES	± ---	± ---																					
3 PLACES	± ---	± .005																						
2 PLACES	± 0.13	± .01																						
1 PLACE	± 0.25	± ---																						
ANGULAR ±1/2°																								
	DRAWN BY	DATE	TITLE	AVIKRIMP FEMALE FIQD 22-18 AWG																				
	BENDERLE	2005/03/28																						
	CHECKED BY	DATE		MOLEX INCORPORATED																				
	R DEROSS	2005/03/28																						
	APPROVED BY	DATE		MATERIAL NO. SD-19002-003 DOCUMENT NO. SHEET NO. 1 OF 1																				
	R DEROSS	2005/03/28																						
				DRAFT WHERE APPLICABLE MUST REMAIN WITHIN DIMENSIONS																				
				THIS DRAWING CONTAINS INFORMATION THAT IS PROPRIETARY TO MOLEX INCORPORATED AND SHOULD NOT BE USED WITHOUT WRITTEN PERMISSION																				