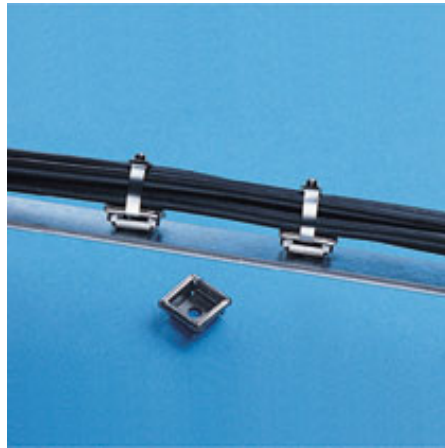




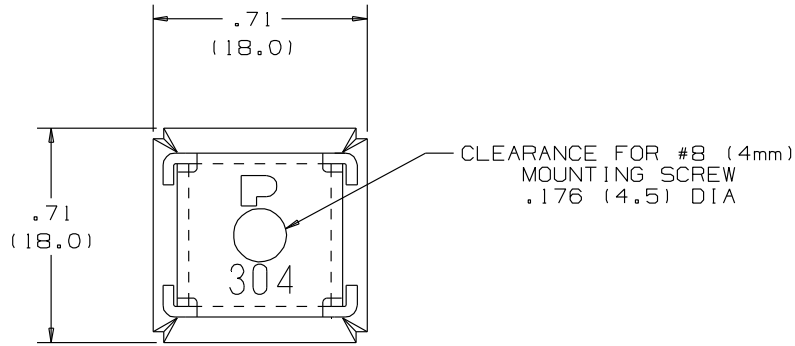
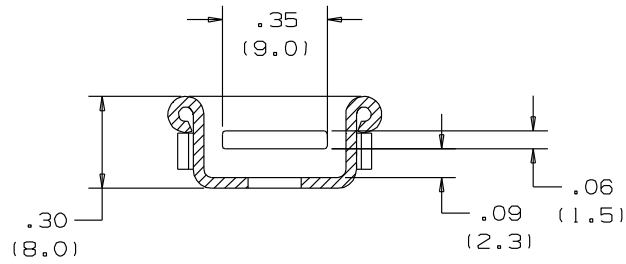
MTM2H-Q



- Two-way mount allows stainless steel cable ties to be inserted from either of two sides providing a low profile attachment with only 1 hole for maximum holding and stability.
Material: 304 stainless steel. Consult factory for additional materials.
- Allows stainless steel cable ties to be inserted from either of two sides
- Low profile
- Single hole center mounting for maximum holding and stability
- Maximum screw head height .09 inch (2.3mm)
- For use with standard, light-heavy and heavy cross section *Pan-Steel®* Ties
- 304 Stainless Steel
- **Features:**
 - Low profile
 - Single hole center mounting for maximum holding and stability
 - Maximum screw head height .09 (2.3mm)
 - For use with standard and heavy cross section *Pan-Steel®* Ties

■ Part Number	MTM2H-Q
■ RoHS Compliancy Status	Compliant
■ Part Description	Stainless steel two-way mount, one-hole mounting. Use with standard, light-heavy and heavy stainless steel ties.
■ Material	Stainless Steel 304
■ Height (In.)	.30
■ Height (mm)	8.0
■ Length (In.)	.71
■ Length (mm)	18.0
■ Width (In.)	.71
■ Width (mm)	18.00
■ Fastener Size	#8
■ Fastener Size Metric	4mm
■ Head Height (In.)	.09
■ Head Height (mm)	2.3
■ Hole Diameter (In.)	.17
■ Hole Diameter (mm)	4.5
■ Mounting Method	#8 (4mm) screw
■ Pricing Description	Tie Mount, 304SS, 2 Way, #8 (4mm) Screw
■ Slot Width (In.)	.35
■ Slot Width (mm)	9.0
■ Min. Order UOM	PC
■ Min. Order Qty.	25
■ BOM Qty. (# of Pkgs.)	

THIS COPY IS PROVIDED ON A RESTRICTED BASIS AND IS NOT TO BE USED IN ANY WAY DETRIMENTAL TO THE INTERESTS OF PANDUIT CORP.



NOTES:

1. DIMENSIONAL TOLERANCES:
 .XX ±.02 (.5)
 .XXX ±.01 (.25)
2. USE WITH STD, LH & HVY CROSS SECTION MLT'S.
3. DIMS IN () ARE mm.
4. MAXIMUM SCREW HEAD HEIGHT .09 (2.3).
5. STAINLESS STEEL SCREWS ARE RECOMMENDED TO AVOID CORROSION PROBLEMS ASSOCIATED WITH DISSIMILAR METALS.
6. PACKAGE QTY: Q = 25

S41074_02

							PANDUIT CORP. TINLEY PARK, ILLINOIS			
							2-WAY METAL TIE MOUNT MTM2H			
							UNLESS OTHERWISE SPECIFIED, DIMENSIONAL TOLERANCES ARE: (.X) ± (.XXX) ± (.XX) ± ANGLES ±			
							UNLESS OTHERWISE SPECIFIED, ALL DIMENSIONS ARE GIVEN IN INCHES, THIRD ANGLE PROJECTION.			
02	8/04	JAMB	JJB	NOTE 2: ADDED THE "LH" (LIGHT-HEAVY) MLT PRODUCT FOR USE WITH MTM2H TIE MOUNT ADDED NOTE 6. CAD FILE SPEC WAS N41074SA_PCD_00	11906	CCH	JJB	DRAWN BY BJO	MAT'L: 304 STAINLESS STEEL	SCALE 2X
01	1/01	KMD	JAC		09010	CCH	JAC			
00	11/92	BO	JAC	RELEASED	01265	GP	LCA	DATE 11/11/92	DRAWING NO. S41074	DNG A SIZE
REV	DATE	BY	CHK	DESCRIPTION	ECN #	PM	CUST	CHK'D JAC		