



MRT4LH-L6

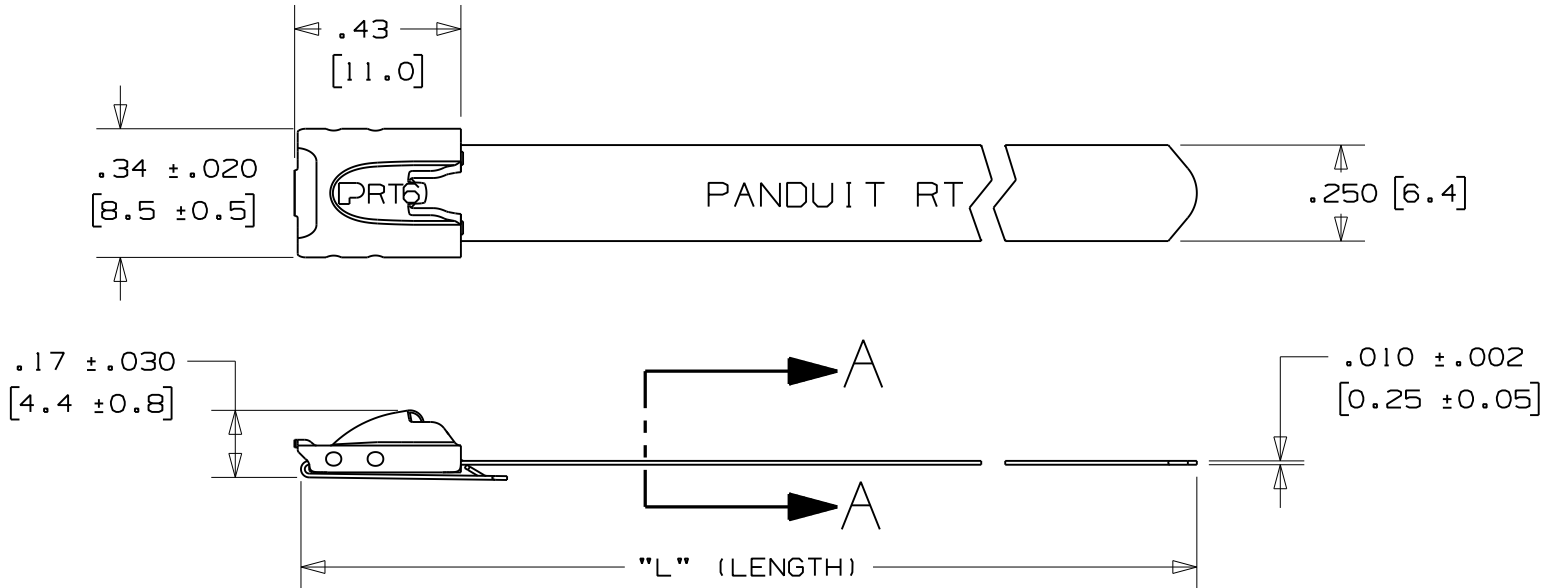


- Provide tight bundling of armored cables, pipes, conduit and other rigid materials in harsh conditions for a reliable, easy to install fastening solution
- Self-locking cable tie design locks into place at any length along the tie body, unlike fixed diameter band clamps
- Smooth surfaces and rounded edges assures cable protection and worker safety
- Available in AISI 304 stainless steel for general-purpose applications
- Available in AISI 316 stainless steel for the most corrosive environments

| | |
|-------------------------------------|--|
| ▪ Part Number | MRT4LH-L6 |
| ▪ RoHS Compliancy Status | Compliant |
| ▪ Part Description | Retained tension, stainless steel cable tie, light-heavy, 4" (102mm) max. bundle diameter. |
| ▪ Product Type | Cable Ties |
| ▪ Material | Stainless Steel Type 316 |
| ▪ Length (In.) | 17.6 |
| ▪ Length (mm) | 447 |
| ▪ Width (In.) | .25 |
| ▪ Width (mm) | 6.4 |
| ▪ Cross Section | Light-Heavy |
| ▪ Max. Bundle Diameter (In.) | 4.0 |
| ▪ Max. Bundle Diameter (mm) | 102 |
| ▪ Min. Bundle Diameter (In.) | 1.00 |
| ▪ Min. Bundle Diameter (mm) | 25.4 |
| ▪ Min. Loop Tensile Strength (Lbs.) | 225 |
| ▪ Min. Loop Tensile Strength (N) | 1000 |
| ▪ Pricing Description | Retained Tension Tie, 316 SS, Light Heavy, 17.6" (447mm), .010" (.25mm) thk |
| ▪ Thickness (In.) | .010 |
| ▪ Thickness (mm) | .25 |
| ▪ Tool | MTRTLS |
| ▪ Min. Order UOM | PC |
| ▪ Min. Order Qty. | 50 |
| ▪ BOM Qty. (# of Pkgs.) | |

THIS COPY IS PROVIDED ON A RESTRICTED BASIS AND IS NOT TO BE USED IN ANY WAY DETRIMENTAL TO THE INTERESTS OF PANDUIT CORP.

| PANDUIT PART NO. | PACKAGE QTY. | MAX. BUNDLE DIAMETER | LENGTH "L" ±.3" [7] |
|------------------|--------------|----------------------|-----------------------|
| MRT1.5LH-L6 | 50 | 1.5" [38] | 9.7" [246] |
| MRT2LH-L6 | 50 | 2" [51] | 11.3" [287] |
| MRT4LH-L6 | 50 | 4" [102] | 17.6" [447] |
| MRT6LH-L6 | 50 | 6" [152] | 23.8" [604] |




FULLY ROUNDED EDGES ALONG STRAP BODY

SECTION A - A
SCALE 6:1

NOTES:

- 1.) APPLICATION TOOLS - MRTTLS
- 2.) MINIMUM LOOP TENSILE STRENGTH - 225 LBS. (1000 NEWTONS) WHEN TESTED ON A 1.5" MANDREL.
- 3.) [] DENOTES DIMENSION IN MILLIMETERS
- 4.) TOLERANCES:
 .XXX = ±.010 [.25]
 .XX = ±.02 [.5]
 .X = ±.03 [.8]
 ANGLES = ±2°
- 5.) MATERIAL: 316 STAINLESS STEEL

N41250BS_DC/03A

| | | | | | | | | | |
|-----|-------|------|-----|--|---------|---|--------------|--------------|----------------------------|
| 03A | 11/07 | JAMB | EJD | ORIG.CAD FILE SPEC.& DWG.NO.WAS S41250_02 ADDED PART NO.MRT1.5LH-L6 TO PART TABLE | ----- |  PANDUIT TM TINLEY PARK, ILLINOIS | | | |
| 02 | 7/07 | JMMR | EJD | APPLICATION TOOLS WERE MRTT1 & PRTT1 | ----- | | | | |
| 01 | 1/07 | JAMB | EJD | REMOVED PARTS MRT8LH-L6 & MRT10LH-L6 | SS00317 | METAL TIE RETAINED TENSION - LIGHT/HEAVY SERIES 316 STAINLESS STEEL | | | |
| 00 | 11/06 | JAMB | EJD | DRAWING RELEASED | SS00266 | | | | |
| REV | DATE | BY | CHK | DESCRIPTION | ECN # | DRAWN BY JAMB | CHK'D EJD | SCALE 2:1 | DRAWING NO. N41250BS_DC |