



## MRT2LH-L4

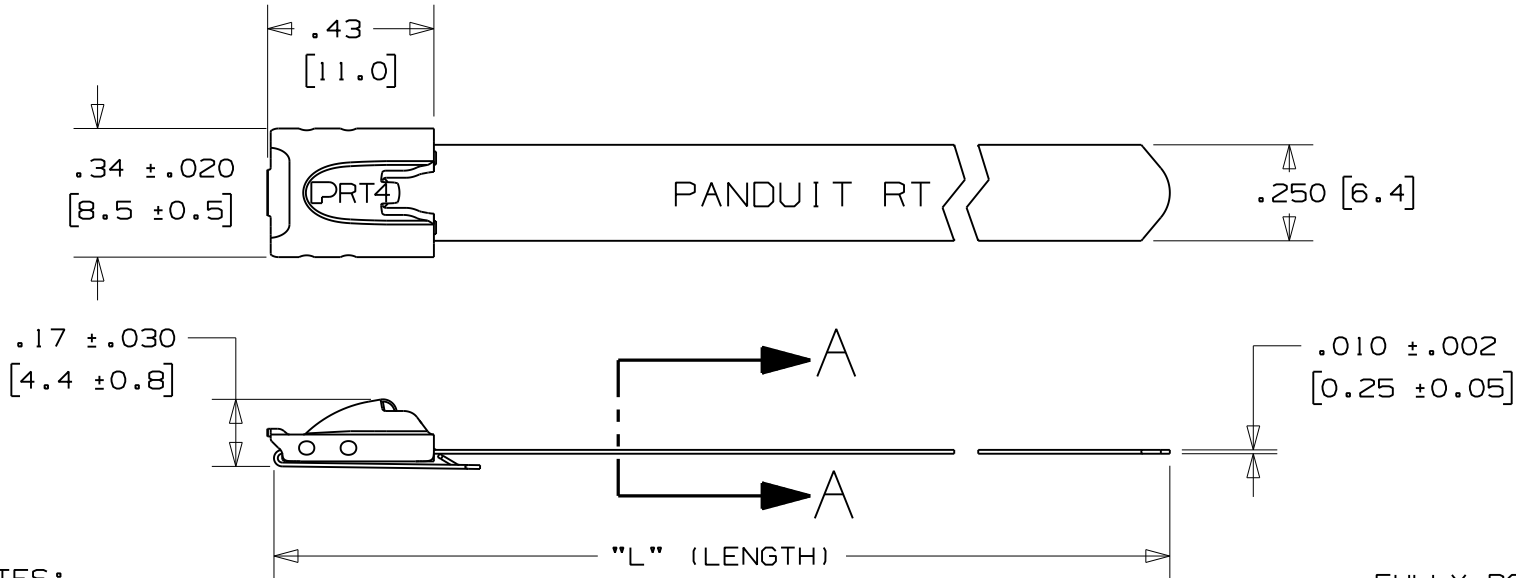


- Provide tight bundling of armored cables, pipes, conduit and other rigid materials in harsh conditions for a reliable, easy to install fastening solution
- Self-locking cable tie design locks into place at any length along the tie body, unlike fixed diameter band clamps
- Smooth surfaces and rounded edges assures cable protection and worker safety
- Available in AISI 304 stainless steel for general-purpose applications
- Available in AISI 316 stainless steel for the most corrosive environments

▪ Part Number	MRT2LH-L4
▪ RoHS Compliancy Status	Compliant
▪ Part Description	Retained tension, stainless steel cable tie, light-heavy, 2" (51mm) max. bundle diameter.
▪ Product Type	Cable Ties
▪ Material	Stainless Steel Type 304
▪ Length (In.)	11.3
▪ Length (mm)	287
▪ Width (In.)	.25
▪ Width (mm)	6.4
▪ Cross Section	Light-Heavy
▪ Max. Bundle Diameter (In.)	2.0
▪ Max. Bundle Diameter (mm)	51
▪ Min. Bundle Diameter (In.)	1.00
▪ Min. Bundle Diameter (mm)	25.4
▪ Min. Loop Tensile Strength (Lbs.)	225
▪ Min. Loop Tensile Strength (N)	1000
▪ Pricing Description	Retained Tension Tie, 304 SS, Light Heavy, 11.3" (287mm), .010" (.25mm) thk
▪ Thickness (In.)	.010
▪ Thickness (mm)	.25
▪ Tool	MTRTLS
▪ Min. Order UOM	PC
▪ Min. Order Qty.	50
▪ BOM Qty. (# of Pkgs.)	

THIS COPY IS PROVIDED ON A RESTRICTED BASIS AND IS NOT TO BE USED IN ANY WAY DETRIMENTAL TO THE INTERESTS OF PANDUIT CORP.

PANDUIT PART NO.	PACKAGE QTY.	MAX. BUNDLE DIAMETER	LENGTH "L" ±.3" [ 7 ]
MRT1.5LH-L4	50	1.5" [ 38 ]	9.7" [ 246 ]
MRT2LH-L4	50	2" [ 51 ]	11.3" [ 287 ]
MRT4LH-L4	50	4" [ 102 ]	17.6" [ 447 ]
MRT6LH-L4	50	6" [ 152 ]	23.8" [ 604 ]




NOTES:

- 1.) APPLICATION TOOLS - MTRTL5
- 2.) MINIMUM LOOP TENSILE STRENGTH - 225 LBS. (1000 NEWTONS) WHEN TESTED ON A 1.5" MANDREL.
- 3.) [ ] DENOTES DIMENSION IN MILLIMETERS
- 4.) TOLERANCES:  
 .XXX = ±.010 [ .25 ]  
 .XX = ±.02 [ .5 ]  
 .X = ±.03 [ .8 ]  
 ANGLES = ±2°
- 5.) MATERIAL: 304 STAINLESS STEEL

FULLY ROUNDED EDGES ALONG STRAP BODY

SECTION A-A  
SCALE 6:1

N41249BS\_DC/02A

REV	DATE	BY	CHK	DESCRIPTION	ECN #	 TINLEY PARK, ILLINOIS METAL TIE RETAINED TENSION - LIGHT/HEAVY SERIES 304 STAINLESS STEEL			
O2A	6/07	JAMB	EJD	APPLICATION TOOLS WERE MTRT1 & PRT1	-----	DRAWN BY JAMB	CHK'D EJD	SCALE 2:1	DRAWING NO. N41249BS
01	1/07	JAMB	EJD	REMOVED PART NO'S. MRT8LH-L4 & MRT10LH-L4	SS00317				
00	10/06	JAMB	EJD	DRAWING RELEASED	SS00266				