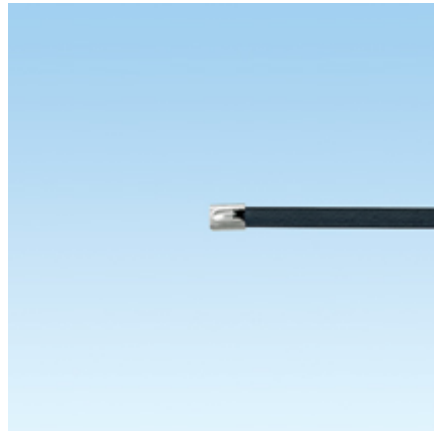




## MLTFC4S-CP316

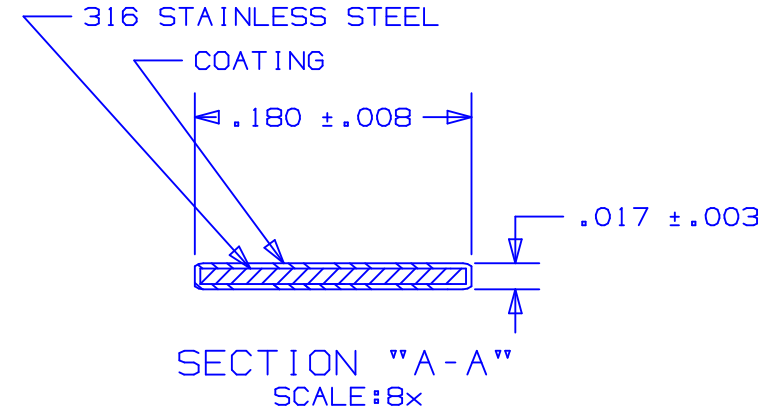
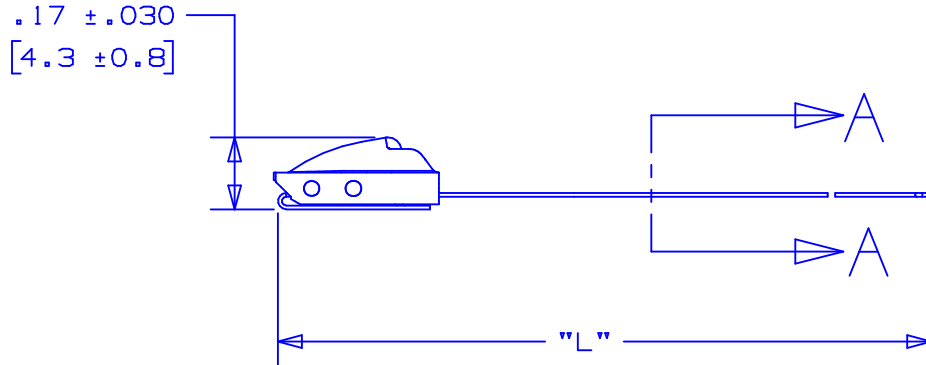
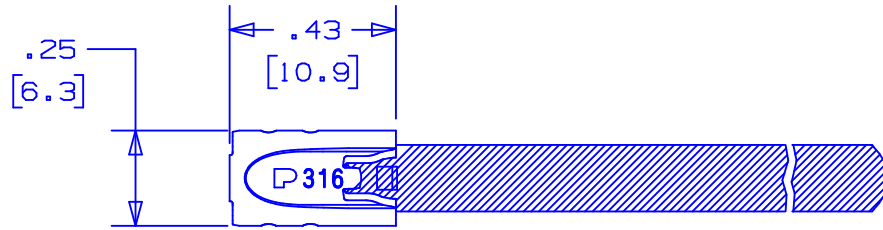


- Self-locking head design speeds installation and locks into place at any length along the tie body
- Polyester coating provides additional edge protection and prevents corrosion between dissimilar metals
- AISI 316 stainless steel for the most corrosive environments
- Available in standard, heavy, extra-heavy and super-heavy cross sections
- UV resistant, low smoke, halogen-free material
- Temperature tolerance -40°F (-40°C) to 302°F (150°C)
- Part thickness is base material less coating.

▪ Part Number	MLTFC4S-CP316
▪ RoHS Compliancy Status	Compliant
▪ Part Description	Polyester coated stainless steel tie, AISI 316, standard, 14.3" length.
▪ Product Type	Stainless Steel Cable Ties
▪ Material	Stainless Steel Type 316
▪ Color	black
▪ Length (In.)	14.3
▪ Length (mm)	362
▪ Width (In.)	.18
▪ Width (mm)	4.6
▪ Cross Section	Standard
▪ Max. Bundle Diameter (In.)	4.0
▪ Max. Bundle Diameter (mm)	102
▪ Min. Bundle Diameter (In.)	.50
▪ Min. Bundle Diameter (mm)	12.7
▪ Min. Loop Tensile Strength (Lbs.)	100
▪ Min. Loop Tensile Strength (N)	445
▪ Pricing Description	MLT Tie, 316 SS, Fully Coated, Standard, 14.3" (362mm), .010" (.25mm) thk
▪ Thickness (In.)	.010
▪ Thickness (mm)	.25
▪ Tool	GS4MT, HTMT, PPTMT, ST2MT
▪ Min. Order UOM	PC
▪ Min. Order Qty.	100
▪ BOM Qty. (# of Pkgs.)	



PANDUIT PART NO.	MAX BUNDLE DIA.	PACKAGE QTY	LENGTH L ±.3 [ 7 ]
MLTFC2S-CP316	2" [ 51 ]	100	7.9" [ 201 ]
MLTFC4S-CP316	4" [ 102 ]	100	14.3" [ 362 ]
MLTFC6S-CP316	6" [ 152 ]	100	20.5" [ 521 ]
MLTFC8S-CP316	8" [ 203 ]	100	26.8" [ 679 ]



NOTES:

- 1.) APPLICATION TOOLS - GS4MT,PPTMT,ST2MT,ST3MT,HTMT
- 2.) MINIMUM LOOP TENSILE STRENGTH - 100 LBS. (445 NEWTONS) WHEN TESTED ON A 1.5" MANDREL.
- 3.) [ ] DENOTES DIMENSION IN MILLIMETERS
- 4.) TOLERANCES:
  - .XXX = ±.010 [ .25 ]
  - .XX = ±.02 [ .5 ]
  - .X = ±.03 [ .8 ]
  - ANGLES = ±2°
- 5.) MATERIAL: 316 STAINLESS STEEL
- 6.) COATING - POLYESTER  
COATING THICKNESS: .002 MIN./ .005 MAX. PER SIDE

S41214\_00

**PANDUIT**

CORP.

TINLEY PARK, ILLINOIS

METAL LOCKING TIE - COATED  
STANDARD SERIES-316 STAINLESS STEEL  
(CUSTOMER DRAWING)

00	8/05	JAMB	EJD	RELEASED	SS00021
REV	DATE	BY	CHK	DESCRIPTION	ECN #

DRAWN BY JAMB	CHK'D EJD	SCALE 2x	DRAWING NO. S41214
------------------	--------------	-------------	-----------------------