



## MLTFC4EH-LP316

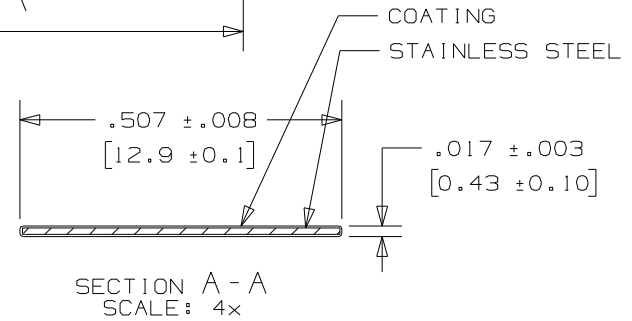
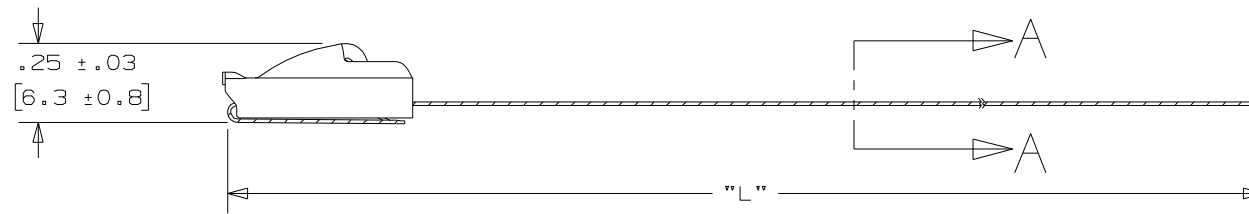
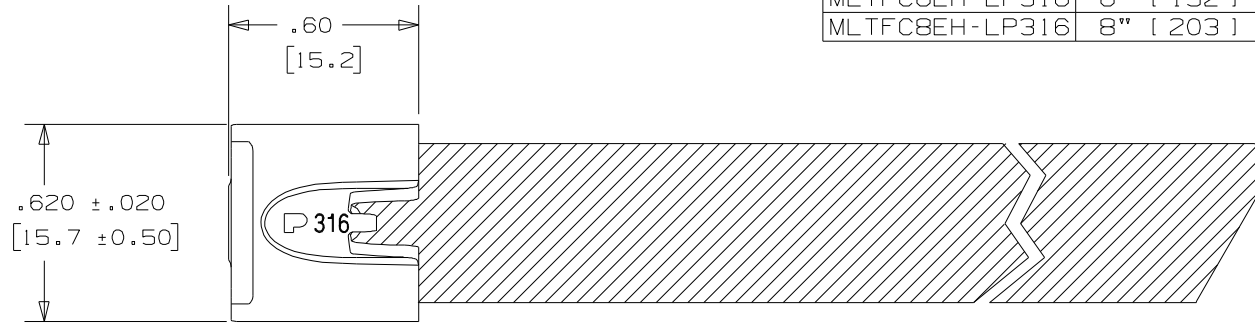


- Self-locking head design speeds installation and locks into place at any length along the tie body
- Polyester coating provides additional edge protection and prevents corrosion between dissimilar metals
- AISI 316 stainless steel for the most corrosive environments
- Available in standard, heavy, extra-heavy and super-heavy cross sections
- UV resistant, low smoke, halogen-free material
- Temperature tolerance -40°F (-40°C) to 302°F (150°C)
- Part thickness is base material less coating.

▪ Part Number	MLTFC4EH-LP316
▪ RoHS Compliancy Status	Compliant
▪ Part Description	Polyester coated stainless steel tie, AISI 316, extra-heavy, 17.1" length.
▪ Product Type	Stainless Steel Cable Ties
▪ Material	Stainless Steel Type 316
▪ Length (In.)	17.1
▪ Length (mm)	434
▪ Width (In.)	.50
▪ Width (mm)	12.7
▪ Cross Section	Extra-Heavy
▪ Max. Bundle Diameter (In.)	4.0
▪ Max. Bundle Diameter (mm)	102
▪ Min. Bundle Diameter (In.)	1.00
▪ Min. Bundle Diameter (mm)	25.4
▪ Min. Loop Tensile Strength (Lbs.)	300
▪ Min. Loop Tensile Strength (N)	1335
▪ Pricing Description	MLT Tie, 316 SS, Fully Coated, Extra Heavy, 17.1" (434mm), .010" (.25mm) thk
▪ Thickness (In.)	.010
▪ Thickness (mm)	.25
▪ Tool	ST2MT, RT2HT, RT2HTN
▪ Min. Order UOM	PC
▪ Min. Order Qty.	50
▪ BOM Qty. (# of Pkgs.)	

THIS COPY IS PROVIDED ON A RESTRICTED BASIS AND IS NOT TO BE USED IN ANY WAY DETRIMENTAL TO THE INTERESTS OF PANDUIT CORP.

PANDUIT PART NO.	MAX. BUNDLE DIA.	PACKAGE QTY.	LENGTH "L" +/- .3" [ 7 ]
MLTFC2EH-LP316	2" [ 51 ]	50	11.8" [ 300 ]
MLTFC4EH-LP316	4" [ 102 ]	50	17.1" [ 434 ]
MLTFC6EH-LP316	6" [ 152 ]	50	23.4" [ 594 ]
MLTFC8EH-LP316	8" [ 203 ]	50	29.7" [ 754 ]



- NOTES:
- APPLICATION TOOLS - ST3MT & RTIHT
  - MINIMUM LOOP TENSILE STRENGTH - 300 LBS. (1335 NEWTONS) WHEN TESTED ON A 3" MANDREL.
  - [ ] DENOTES DIMENSION IN MILLIMETERS
  - TOLERANCES:
    - .XXX = ±.010 [ .25 ]
    - .XX = ±.02 [ .5 ]
    - .X = ±.03 [ .8 ]
    - ANGLES = ±2°
  - BASE MATERIAL: 316 STAINLESS STEEL
  - COATING - POLYESTER  
COATING THICKNESS: .002 MIN./ .005 MAX. PER SIDE

S41216\_01

					<b>PANDUIT</b> CORP. TINLEY PARK, ILLINOIS				
01	4/07	JMMREJD	ADDED NOTE 6	SS00350	METAL LOCKING TIE EXTRA HEAVY DUTY FULLY COATED 316 STAINLESS STEEL				
00	9/05	JAMBEJD	RELEASED	SS00052					
REV	DATE	BY	CHK	DESCRIPTION	ECN #	DRAWN BY JAMB	CHK'D EJD	SCALE 2x	DRAWING NO. S41216