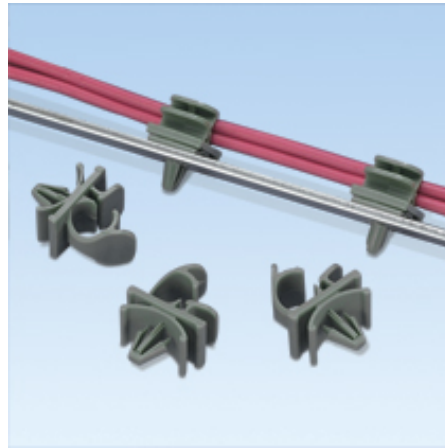




LWC19-H25-C

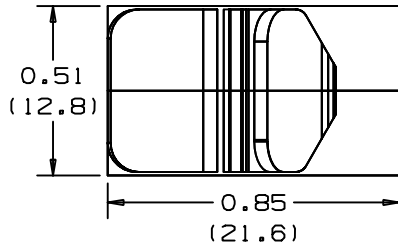


- Holds wires, cables and tubing
- Material: Nylon 6.6
- Maximum Panel Thickness: .105"
- Hole Diameter: .25"

Holds wires, cable and tubing and is available in 6 sizes with releasable latch. Adhesive backed and push mount styles available. Large mounting base for high bonding strength.

■ Part Number	LWC19-H25-C
■ RoHS Compliancy Status	Compliant
■ Part Description	Push Barb Mount Latching Wire Clip
■ Product Type	Mounting Device
■ Material	Nylon 6.6
■ Color	Natural
■ Height (In.)	.41
■ Height (mm)	10.4
■ Length (In.)	.85
■ Length (mm)	21.6
■ Width (In.)	.51
■ Width (mm)	12.8
■ Environment	Indoors
■ Flammability Rating	UL94 V-2
■ Max. Bundle Diameter (In.)	.19
■ Max. Bundle Diameter (mm)	4.8
■ Max. Panel Thickness (In.)	.105
■ Max. Panel Thickness (mm)	2.7
■ Mounting Method	Push Barb
■ Panel Hole Diameter (In.)	.220
■ Panel Hole Diameter (mm)	5.6
■ Pricing Description	Latching Wire Clip, Push Mount, .19" (4.8mm) Bundle, NAT
■ Min. Order UOM	PC
■ Min. Order Qty.	100
■ BOM Qty. (# of Pkgs.)	

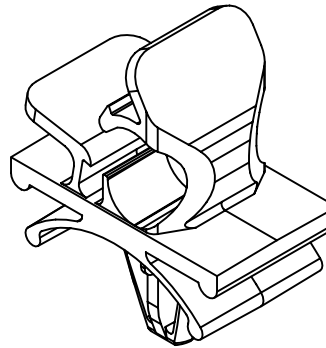
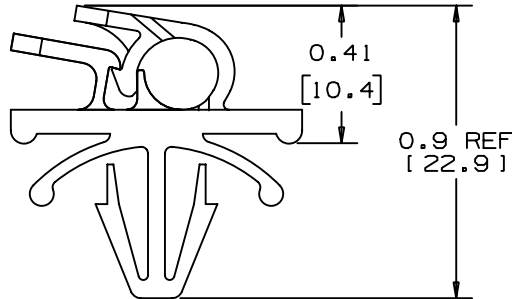
THIS COPY IS PROVIDED ON A RESTRICTED BASIS AND IS NOT TO BE USED IN ANY WAY DETRIMENTAL TO THE INTERESTS OF PANDUIT CORP.



PANDUIT PART NUMBER*	MAXIMUM CABLE DIA. in. (mm)	WEIGHT lbs/100 pcs (g)/100 pcs	HOLE SIZE DIA. RANGE	PANEL THK. RANGE
LWC19-H25	0.19 (4.8)	0.33 (150)	3/16"-1/4" (5-6)	.025-.105 (0.5-3)

NOTES:

- SEE CURRENT PRICE SHEET FOR PART NUMBER SUFFIX DESIGNATION FOR PACKAGE SIZE.



DIMENSIONS IN BRACKETS ARE METRIC [mm]

CAD FILENAME/LAYERS

G00239EY_DC_02

PANDUIT

CORP.

TINLEY PARK, ILLINOIS

LWC19-H25
LATCHING WIRE CLIP

UNLESS OTHERWISE SPECIFIED,
DIMENSIONAL TOLERANCES ARE:
(.X) ±0.05 (1.3) (.XX) ±0.010 (0.25)
(.XX) ±0.02 (0.5) ANGLES ± 5°

UNLESS OTHERWISE SPECIFIED,
ALL DIMENSIONS ARE GIVEN
IN INCHES, THIRD ANGLE PROJECTION.

REV	DATE	BY	CHK	DESCRIPTION	ECN	R	CUST	SUP
2	2-4-99	CGSM		CHANGED DIM. TO REF. DIM. UPDATED FILE NAME	GB0239EY	2		
1	12-15-97	Jad		.41 DIMENSION WAS .19, .86 DIMENSION WAS .85	GB0239EY	1		
R	2/14/97	CGSM		INITIAL RELEASE	GB0239EY	R		

DRAWN BY CGSM

MAT'L:

SCALE

2X

DATE

2/14/97

NYLON 6/6

DRAWING NO.

GB0239EY

DWG

A
SIZE