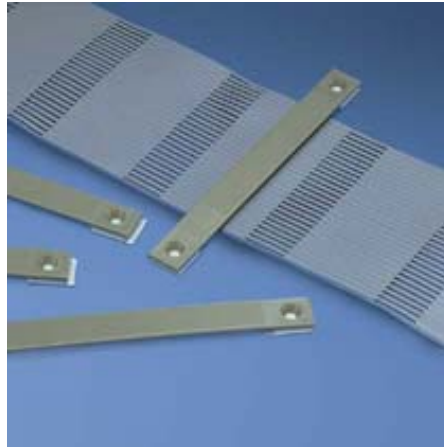




## LPFCM14-A-C14



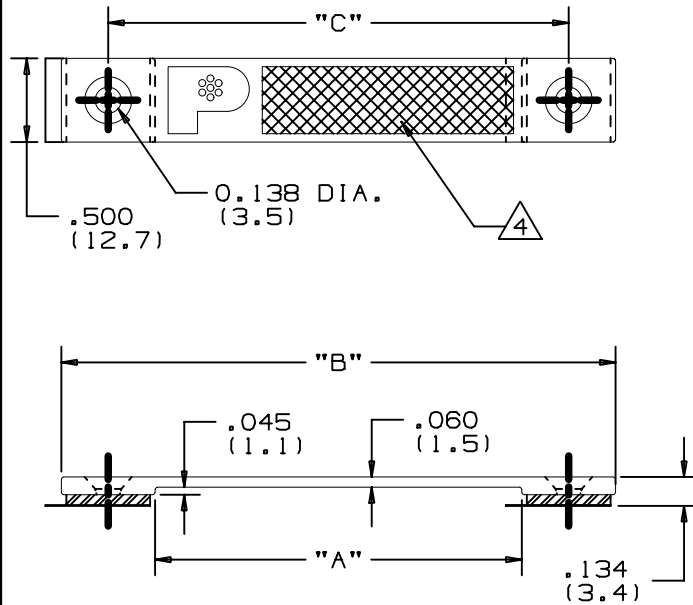
- This low profile mount is available in 3 sizes and provides cost effective cable containment and identification for stack heights up to .105". It features a matte, textured surface for either hand written identification or application of computer labels.

■ Part Number	LPFCM14-A-C14
■ RoHS Compliancy Status	Compliant
■ Part Description	Low Profile Flat Cable Mount
■ Product Type	Mounting Device
■ Material	Nylon 6.6
■ Color	Gray
■ UL Recognized	E136577
■ Height (In.)	.13
■ Height (mm)	3.4
■ Length (In.)	2.56
■ Length (mm)	65.0
■ Width (In.)	.50
■ Width (mm)	12.7
■ Adhesive Type	Rubber
■ Cable Width (In.)	1.44
■ Cable Width (mm)	37.0
■ Environment	Indoors
■ Max. Flat Cable Width (In.)	1.44
■ Max. Flat Cable Width (mm)	37.0
■ Max. Static Load (g)	113
■ Max. Static Load (Lbs.)	.25
■ Mounting Hole Distance (in)	2.00
■ Mounting Hole Distance (mm)	50.8
■ Mounting Method	Adhesive Backed
■ Pricing Description	Low Profile Flat Cable Mount, Adhesive, 1.4" (35.6mm) W, GRY
■ Screw Size	#6 (M3)

▪ Screw Size Metric	M3
▪ Min. Order UOM	PC
▪ Min. Order Qty.	100
▪ BOM Qty. (# of Pkgs.)	

THIS COPY IS PROVIDED ON A RESTRICTED BASIS AND IS NOT TO BE USED IN ANY WAY DETRIMENTAL TO THE INTERESTS OF PANDUIT CORP.

NO WARRANTY, EXPRESSED OR IMPLIED, IS MADE BY PANDUIT WITH RESPECT TO ADHESIVE BOND PERFORMANCE. AMONG OTHER THINGS, THE CONDITIONS UNDER WHICH THESE MOUNTS MAY BE APPLIED AND/OR THE SURFACE TO WHICH THEY MAY BE APPLIED ARE BEYOND PANDUIT'S CONTROL.



△ PANDUIT PART NO.	"A" in (mm)	"B" in (mm)	"C" in (mm)	WEIGHT LBS. (g) / C
LPFCM14-A	1.440 (36.6)	2.560 (65.0)	2.000 (50.8)	.40 (181)
LPFCM22-A	2.190 (55.6)	3.310 (84.1)	2.750 (69.9)	.49 (223)
LPFCM34-A	3.440 (87.4)	4.560 (115.8)	4.000 (101.6)	.65 (293)

**NOTES:**

- SEE CURRENT PRICE SHEET FOR PART NUMBER SUFFIX DESIGNATION FOR PACKAGE SIZE.
- PRESSURE SENSITIVE FOAM TAPE 0.03 (0.8) THICK WITH PROTECTIVE LINER. MOUNT IS DESIGNED TO SUPPORT 0.25 LB. (113 GM.) MAXIMUM WEIGHT ON A CLEAN, DRY, SMOOTH SURFACE. CLIPS TO BE SUPPLIED INDIVIDUALLY WITH TEAR TAB.
- ALL RADII 0.015 R. UNLESS OTHERWISE SPECIFIED.
- MATTE TEXTURED WRITING SURFACE.

**TO APPLY LOW PROFILE FLAT CABLE MOUNT:**

- REMOVE FROM PROTECTIVE LINER.
- PLACE IN DESIRED POSITION.
- APPLY PRESSURE TO TOP OF MOUNT.
- SECURE IF REQUIRED WITH #6 F.H. SCREWS.

(DIMENSIONS IN PARENTHESES ARE IN METRIC.)

CAD FILENAME/LAYERS

GB0239FE\_PB\_LPFCM\_00



CORP. TINLEY PARK, ILLINOIS

LOW PROFILE FLAT CABLE MOUNT  
(LPFCM)

UNLESS OTHERWISE SPECIFIED,  
DIMENSIONAL TOLERANCES ARE:  
(.X) ±0.1(2.5) (.XXX) ±0.020(.5)  
(.XX) ±0.05(1.3) ANGLES ±5°

UNLESS OTHERWISE SPECIFIED,  
ALL DIMENSIONS ARE GIVEN  
IN INCHES, THIRD ANGLE PROJECTION.

DRAWN BY  
KLN

MAT'L:

SCALE  
FULL

DATE  
6-22-94

NYLON 6/6  
TELCO GRAY

DRAWING NO.

GB0239FE

DWG  
SIZE  
A

REV	DATE	BY	CHK	DESCRIPTION	ECN	R	CUST	SUP
R	6/22/94	KLN		INITIAL RELEASE	GB0239FE	R		