

Current refinements (click to remove)

[Search Tips](#)
 [Region](#) **USA** [Product Family](#) **Flex Conductor, Two-Hole, Standard Barrel with Window Lug** [Text Search:](#) 'LCDX8-10A-L'

Your search criteria matched only one product, shown below.

For Use with Flexible, Extra-Flexible, and Code Stranded Copper Conductors

- Can be used with code conductor and flex conductor class: G, H, I, K, M and Diesel Locomotive
- Generously beveled wire entry prevents bent back strands when inserting conductor into barrel
- Color-coded barrels marked with *PANDUIT* and specified competitor die index numbers for proper crimp die selection
- Inspection window to visually assure full conductor insertion
- Tin-plated to inhibit corrosion
- UL Listed and CSA Certified to 35 KV** and temperature rated to 90°C when crimped with *PANDUIT* and specified competitor crimping tools and dies
- American Bureau of Shipping Approved
- Available with NEMA hole sizes and spacing


Related Products

- [Contour Crimp™ Control...](#)
- [Die Type, Battery Powered Hydraulic...](#)
- [Die Type, Battery Powered Hydraulic...](#)
- [CD-2001 Crimping Dies](#)
- [Die Type, Manual Hydraulic, 14 Ton,...](#)
- [Die Type, Remote Hydraulic, 14 Ton,...](#)
- [More...](#)

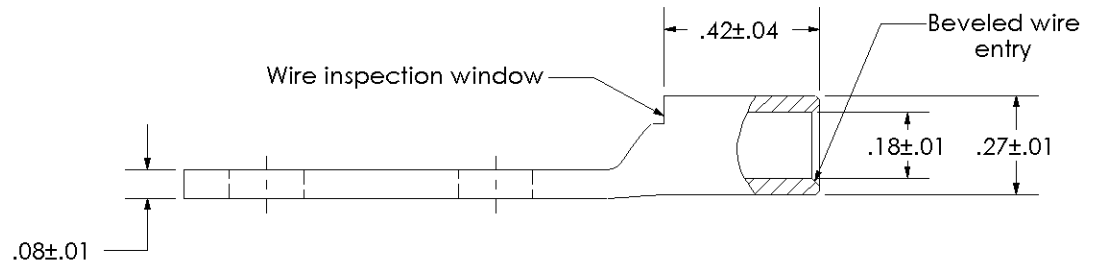
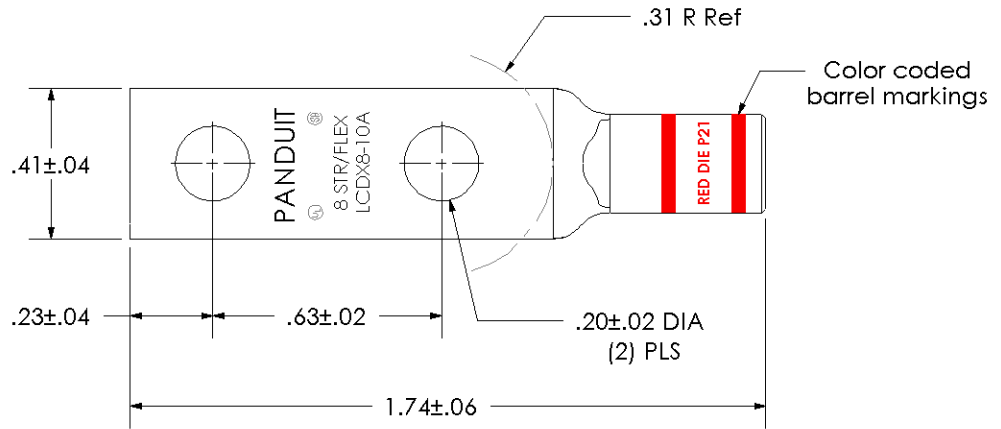
Part Number:	LCDX8-10A-L
RoHS Compliancy Status:	Compliant
Part Description:	Flex Lug, #8 AWG, 2-hole, #10 Stud Holes, .63 Hole Spacing
CSA Certified:	Yes
UL Listed:	Yes
Length (In.):	1.74
Length (mm):	44.2
Class G,H, I, K, M:	#8 AWG
Diesel Locomotive:	#8 AWG
Stud Hole Size (In.):	#10
Stud Hole Spacing (In.):	.63
Tongue Width (In.):	.41
Barrel Length (In.):	.42
Angle:	Straight
Figure No.:	1
Panduit Color Code:	Red
Panduit Die Index No.:	P21
Tongue Thickness:	.08
Tongue Type:	Standard
Tongue Width (mm):	10.4
Wire Strip Length (In.):	1/2
Min. Order UOM:	PC
Min. Order Qty.:	1
Burndy Die Index No.:	49
T&B Die Index No.:	21

BOM Qty. (# of Pkgs.)

[Add to My Catalog](#)

THIS COPY IS PROVIDED ON A RESTRICTED BASIS AND IS NOT TO BE USED IN ANY WAY DETRIMENTAL TO THE INTERESTS OF PANDUIT CORP.

Material	High Conductivity Seamless Copper Tube
Plating	Electro-Tin
Wire Size	8 STR/FLEX
Wire Type	Stranded Copper: Class B & C, Compact, Class G, H, I, K, M, Locomotive
Wire Strip Length	1/2 in.
Stud Size	#10
UL Listed Wire Connector	Yes, for applications up to 35kv. Consult cable manufacturer for voltage stress relief instructions with applications greater than 2000 volts.
UL Temperature Rating	90° C
C.S.A Certified Wire Connector	Yes
Panduit Color Code on Barrel	RED
Panduit Die Index No. on Barrel	P21
Alternate Industry Die Index No. () on Barrel	N/A



PANDUIT CORP. TINLEY PARK, ILLINOIS

LCDX8-10A-L
Copper Lug - Two-Hole, Standard Flex Barrel

00	6/03	SAC	SAC
REV	DATE	BY	CHK

RELEASED
DESCRIPTION

10850
ECN

SCALE
N/A

DRAWING NO / CAD FILE

LCDX8-10A-CUST