

Current refinements (click  to remove)

[Search Tips](#) 
 Region **USA**  Product Family **Code Conductor, Two-Hole, Standard Barrel with Window Lug**  Text Search: 'LCD1-14A-E'

**Your search criteria matched only one product, shown below.**


For Use with Stranded Copper Conductors

- Color-coded barrels marked with **PANDUIT** and specified competitor die index numbers for proper crimp die selection
- Inspection window to visually assure full conductor insertion
- Tin-plated to inhibit corrosion
- UL Listed and CSA Certified to 35 KV\*\* and temperature rated to 90°C when crimped with **PANDUIT** and specified competitor crimping tools and dies
- UL Listed and CSA Certified for wide wire range-taking capability when crimped with **PANDUIT® Uni-Die™ Dieless Crimping Tools**†
- **Tested by Telcordia – meets NEBS Level 3**
- American Bureau of Shipping Approved
- Available with NEMA hole sizes and spacing

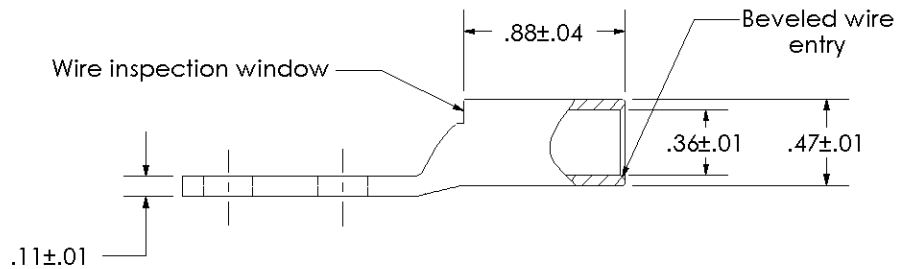
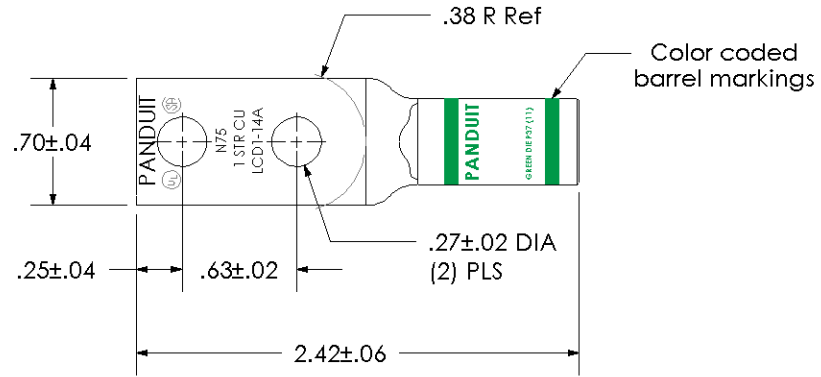
**Related Products**

- [Contour Crimp™ Control...](#)
- [Die Type, Manual, Crimping Tool](#)
- [CD-720 Crimping Dies](#)
- [Die Type, Manual Hydraulic, 14 Ton,...](#)
- [Die Type, Remote Hydraulic, 14 Ton,...](#)
- [Die Type, Battery Powered Hydraulic...](#)
- [More...](#)

Part Number:	LCD1-14A-E
RoHS Compliancy Status:	Compliant
Part Description:	Two-hole, standard barrel lug with window, #1 AWG wire, 1/4" stud hole, .63" hole spacing.
Product Type:	Compression Connectors - Lugs
CSA Certified:	Yes
UL Listed:	Yes
Length (In.):	2.42
Length (mm):	61.5
Copper Conductor Size:	#1 AWG
Stud Hole Size (In.):	1/4
Stud Hole Spacing (In.):	.63
Tongue Width (In.):	.70
Barrel Length (In.):	.88
Angle:	Straight
Clearance:	.38
Figure No.:	1
Panduit Color Code:	Green
Panduit Die Index No.:	P37
Tongue Thickness:	.11
Tongue Type:	Standard
Tongue Width (mm):	17.8
Wire Range (mm²):	50
Wire Strip Length (In.):	15/16
Min. Order UOM:	PC
Min. Order Qty.:	1
Burndy Die Index No.:	11
T&B Die Index No.:	37

THIS COPY IS PROVIDED ON A RESTRICTED BASIS AND IS NOT TO BE USED IN ANY WAY DETRIMENTAL TO THE INTERESTS OF PANDUIT CORP.

Material	High Conductivity Seamless Copper Tube
Plating	Electro-Tin
Wire Size	1 AWG
Wire Type	Stranded Copper; Class B: Compact, Compressed or Concentric, Class C: Concentric
Wire Strip Length	15/16 in.
Stud Size	1/4 in.
UL Listed Wire Connector	Yes, for applications up to 35kv. Consult cable manufacturer for voltage stress relief instructions with applications greater than 2000 volts.
UL Temperature Rating	90° C
C.S.A Certified Wire Connector	Yes
Panduit Color Code on Barrel	GREEN
Panduit Die Index No. on Barrel	P37
Alternate Industry Die Index No. ( ) on Barrel	(11)



00	12/02	SAB	DRL	RELEASED	10343
REV	DATE	BY	CHK	DESCRIPTION	ECN

**PANDUIT CORP. TINLEY PARK, ILLINOIS**

LCD1-14A-E  
Copper Lug - Two-Hole, Standard Barrel

SCALE N/A DRAWING NO / CAD FILE LCD1-14A-CUST