

Current refinements (click  to remove)

[Search Tips](#) 
 [Region](#) **USA**  [Product Family](#) **Code Conductor, One-Hole, Short Barrel with Window Lug**  [Text Search:](#) 'LCAS2-38-Q'


For Use with Stranded Copper Conductors

- Short barrel for limited space applications
- Color-coded barrels marked with *PANDUIT* and specified competitor die index numbers for proper crimp die selection
- Inspection window to visually assure full conductor insertion
- Tin-plated to inhibit corrosion
- UL Listed and CSA Certified to 35 KV\*\* and temperature rated to 90°C when crimped with *PANDUIT* and specified competitor crimping tools and dies
- **Tested by Telcordia – meets NEBS Level 3**
- American Bureau of Shipping Approved

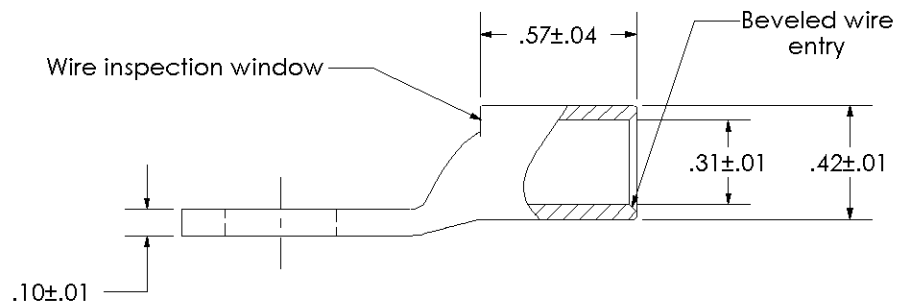
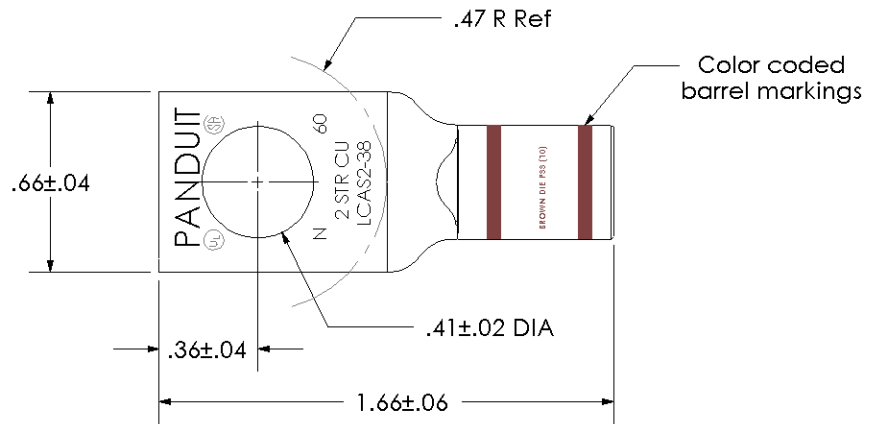
**Related Products**

- [Contour Crimp™ Control... Die Type, Manual, Crimping Tool CD-720 Crimping Dies](#)
- [Die Type, Manual Hydraulic, 14 Ton,...](#)
- [Die Type, Remote Hydraulic, 14 Ton,...](#)
- [Die Type, Battery Powered Hydraulic...](#)
- [More...](#)

Part Number:	LCAS2-38-Q
RoHS Compliancy Status:	Compliant
Part Description:	One-hole, short barrel with window lug, #2 AWG wire, 3/8" stud hole.
Product Type:	Compression Connectors - Lugs
CSA Certified:	Yes
UL Listed:	Yes
Length (In.):	1.66
Length (mm):	42.2
Copper Conductor Size:	#2 AWG
Stud Hole Size (In.):	3/8
Tongue Width (In.):	.66
Barrel Length (In.):	.57
Angle:	Straight
Clearance:	.47
Figure No.:	1
Panduit Color Code:	Brown
Panduit Die Index No.:	P33
Tongue Thickness:	.10
Tongue Type:	Standard
Tongue Width (mm):	16.8
Wire Range (mm <sup>2</sup> ):	35
Wire Strip Length (In.):	5/8
Min. Order UOM:	PC
Min. Order Qty.:	1
Burndy Die Index No.:	10
T&B Die Index No.:	33
BOM Qty. (# of Pkgs.)	

THIS COPY IS PROVIDED ON A RESTRICTED BASIS AND IS NOT TO BE USED IN ANY WAY DETRIMENTAL TO THE INTERESTS OF PANDUIT CORP.

Material	High Conductivity Seamless Copper Tube
Plating	Electro-Tin
Wire Size	2 AWG
Wire Type	Stranded Copper; Class B: Compact, Compressed or Concentric, Class C: Concentric
Wire Strip Length	5/8 in.
Stud Size	3/8 in.
UL Listed Wire Connector	Yes, for applications up to 35kv. Consult cable manufacturer for voltage stress relief instructions with applications greater than 2000 volts.
UL Temperature Rating	90° C
C.S.A Certified Wire Connector	Yes
Panduit Color Code on Barrel	BROWN
Panduit Die Index No. on Barrel	P33
Alternate Industry Die Index No. ( ) on Barrel	(10)



01	3-04	PWS	PWS	REMOVED PANDUIT FROM BARREL MARKINGS	10790
REV	DATE	BY	CHK	DESCRIPTION	ECN

**PANDUIT CORP. TINLEY PARK, ILLINOIS**

LCAS2-38-Q  
Copper Lug - One-Hole, Short Barrel

SCALE N/A

DRAWING NO / CAD FILE

LCAS2-38-CUST