

Current refinements (click  to remove)

[Search Tips](#) 
 [Region](#)  [USA](#)
 [Product Family](#)  [Code Conductor, One-Hole, Standard Barrel with Window Lug](#)
 [Text Search: 'LCA6-56-L'](#)


For Use with Stranded Copper Conductors

- Color-coded barrels marked with *PANDUIT* and specified competitor die index numbers for proper crimp die selection
- Inspection window to visually assure full conductor insertion
- Tin-plated to inhibit corrosion
- UL Listed and CSA Certified to 35 KV** and temperature rated to 90°C when crimped with *PANDUIT* and specified competitor crimping tools and dies
- UL Listed and CSA Certified for wide wire range-taking capability when crimped with *PANDUIT*® *Uni-Die*™ Dieless Crimping Tools‡
- **Tested by Telcordia – meets NEBS Level 3**
- American Bureau of Shipping Approved

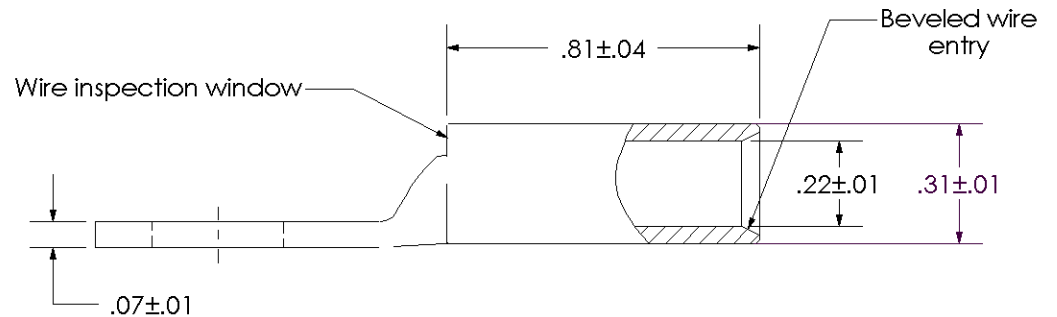
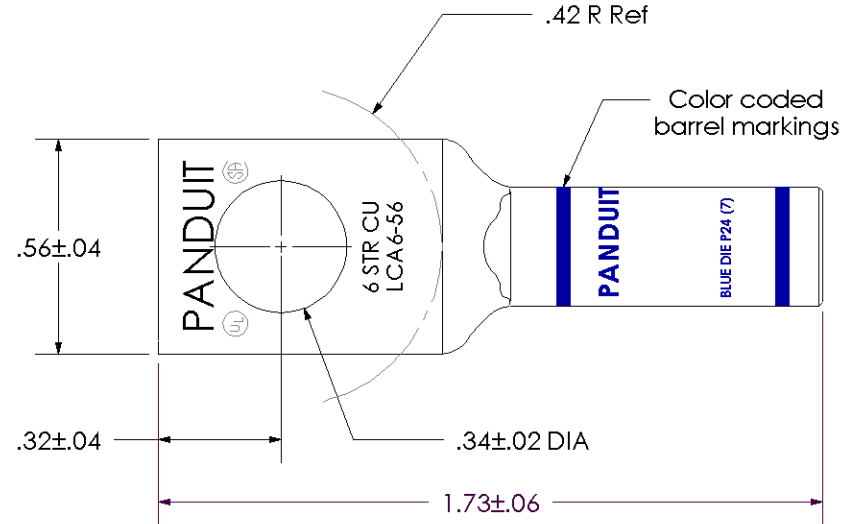
Related Products

- [Contour Crimp™ Control...](#)
- [Die Type, Manual, Crimping Tool CD-720 Crimping Dies](#)
- [Die Type, Manual Hydraulic, 14 Ton,...](#)
- [Die Type, Remote Hydraulic, 14 Ton,...](#)
- [Die Type, Battery Powered Hydraulic...](#)
- [More...](#)

Part Number:	LCA6-56-L
RoHS Compliancy Status:	Compliant
Part Description:	One-hole, standard barrel with window lug, #6 AWG wire, 5/16" stud hole.
Product Type:	Compression Connectors - Lugs
CSA Certified:	Yes
UL Listed:	Yes
Length (In.):	1.73
Length (mm):	43.9
Copper Conductor Size:	#6 AWG
Stud Hole Size (In.):	5/16
Tongue Width (In.):	.56
Barrel Length (In.):	.81
Angle:	Straight
Clearance:	.42
Figure No.:	1
Panduit Color Code:	Blue
Panduit Die Index No.:	P24
Tongue Thickness:	.07
Tongue Type:	Standard
Tongue Width (mm):	14.2
Wire Range (mm²):	16
Wire Strip Length (In.):	7/8
Min. Order UOM:	PC
Min. Order Qty.:	1
Burndy Die Index No.:	7
T&B Die Index No.:	24
BOM Qty. (# of Pkgs.)	

THIS COPY IS PROVIDED ON A RESTRICTED BASIS AND IS NOT TO BE USED IN ANY WAY DETRIMENTAL TO THE INTERESTS OF PANDUIT CORP.

Material	High Conductivity Seamless Copper Tube
Plating	Electro-Tin
Wire Size	6 AWG
Wire Type	Stranded Copper; Class B: Compact, Compressed or Concentric, Class C: Concentric
Wire Strip Length	7/8 in.
Stud Size	5/16 in.
UL Listed Wire Connector	Yes, for applications up to 35kv. Consult cable manufacturer for voltage stress relief instructions with applications greater than 2000 volts.
UL Temperature Rating	90 ° C
C.S.A Certified Wire Connector	Yes
Panduit Color Code on Barrel	BLUE
Panduit Die Index No. on Barrel	P24
Alternate Industry Die Index No. () on Barrel	(7)



01	3/07	DRL	DRL	REMOVED NAVY NUMBER FROM STAMP	PC00684
REV	DATE	BY	CHK	DESCRIPTION	ECN

PANDUIT CORP. TINLEY PARK, ILLINOIS

LCA6-56-L
Copper Lug - One-Hole, Standard Barrel

SCALE N/A DRAWING NO / CAD FILE LCA6-56-CUST