

Current refinements (click to remove)

[Search Tips](#) 
 [Region](#) [USA](#) [Product Family](#) [One-Hole, Single Barrel Lug](#) [Text Search: 'LAMA500-38-6Y'](#)
Your search criteria matched only one product, shown below.
[Joint Compounds](#)

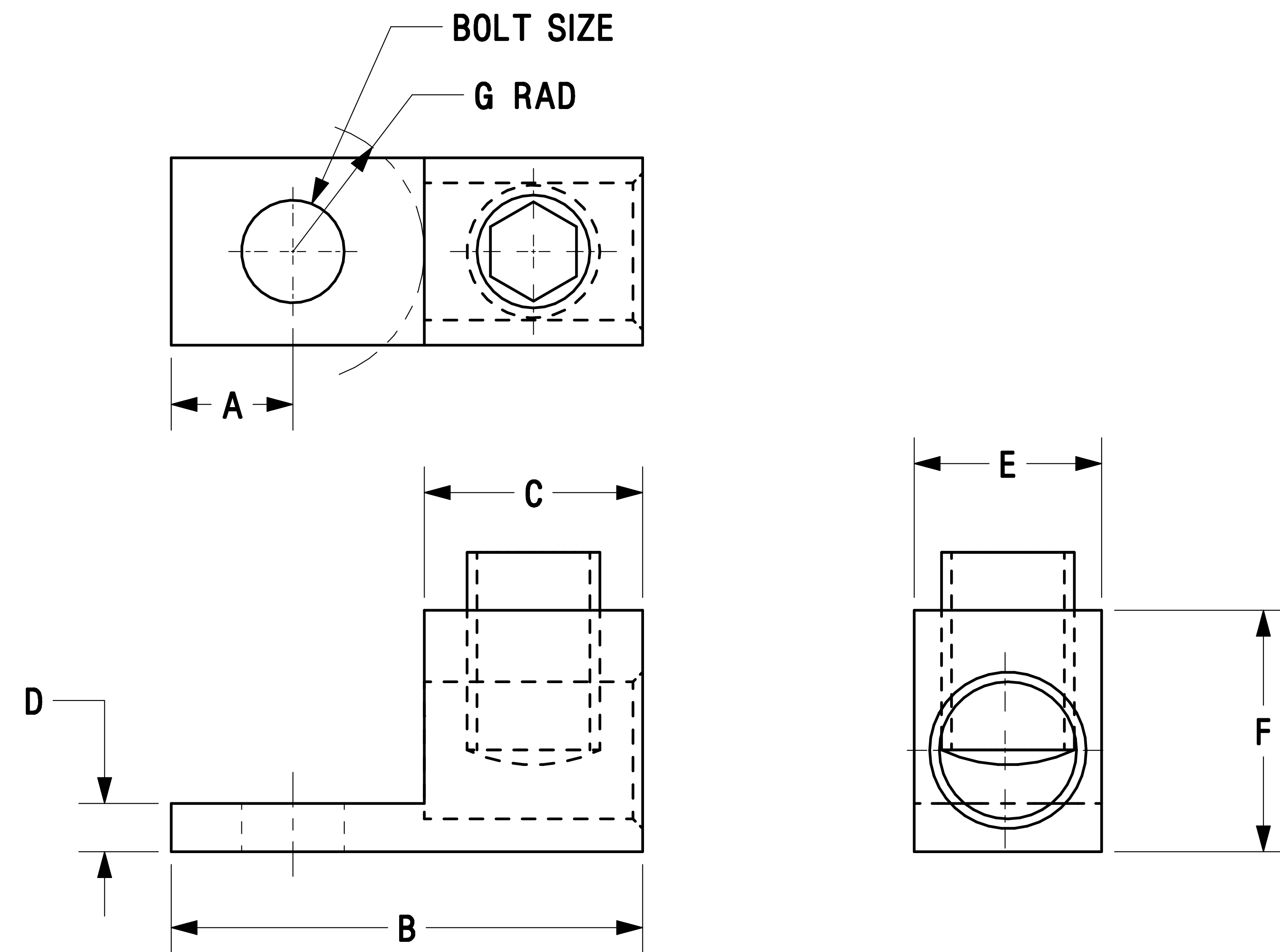

For Use with Stranded Aluminum or Copper Code Conductors

- Made from high strength, extruded aluminum alloy to provide premium electrical and mechanical performance
- Tin-plated to inhibit corrosion
- Compact design saves space
- Wide wire range-taking capability minimizes inventory requirements
- Inspection window to visually assure full conductor insertion
- Plated steel or aluminum set screw provides high strength, durable electrical contact between conductor and connector
- UL Listed and CSA Certified for use up to 600 V and UL temperature rated 90°C

Part Number:	LAMA500-38-6Y
RoHS Compliancy Status:	Compliant
Note:	LAMA500-38-6Y replaces LAMA500-38-6
Part Description:	Aluminum, single barrel, one-hole tongue connector, type LAMA.
Product Type:	Mechanical Connectors - Lugs
CSA Certified:	Yes
UL Listed:	Yes
Height (In.):	1.50
Height (mm):	38.1
Length (In.):	2.75
Length (mm):	70.0
Stud Hole Size (In.):	3/8
Tongue Width (In.):	1.38
Aluminum or Copper Conductor Size Range:	#4 AWG – 500 kcmil
Hex Key Size (In.):	1/2
Tightening Torque (In-Lbs):	500
Tongue Length:	1.50
Tongue Thickness:	.31
Tongue Width (mm):	35.1
Min. Order UOM:	PC
Min. Order Qty.:	1

BOM Qty. (# of Pkgs.)

 Please [register](#) to utilize the 'Bill of Materials', 'Submit Quotes' and 'My Catalog' features.



NOTES:

1. U.L. LISTED PER 486B.
2. C.S.A. CERTIFIED EXCEPT LAMA800-58-6.
3. PART AND SCREWS ARE TIN PLATED ALUMINUM.
4. TO BE USED WITH COPPER OR ALUMINUM STRANDED WIRE.
5. MADE IN U.S.A.
6. THIS PART IS ROHS COMPLIANT.

ALUMINUM MECHANICAL CONNECTORS TYPE: LAMA

CAT. NO.	WIRE RANGE COPPER/ALUMINUM	WIRE STRIP LENGTH IN. (mm)	BOLT SIZE IN.	DIM A IN.	DIM B IN.	DIM C IN.	DIM D IN.	DIM E IN.	DIM F IN.	DIM G IN.	INSTALLATION TORQUE in-lbs (N-m)	HEX KEY
LAMA300-56-QY	300MCM-6AWG	1.00 (25.4)	5/16	.44	2.00	1.00	.22	.90	1.06	.56	2-6AWG-275 (31.1) 300MCM-1AWG-375 (42.4)	3/8
LAMA350-38-QY	350MCM-6AWG	1.12 (28.4)	3/8	.50	2.25	1.13	.25	1.13	1.25	.63	2-6AWG-200 (22.6) 350MCM-1AWG-375 (42.4)	3/8
LAMA500-38-6Y	500MCM-4AWG	1.25 (31.8)	3/8	.62	2.75	1.25	.31	1.38	1.50	.88	500 (56.5)	1/2
LAMA600-38-6Y	600MCM-4AWG	1.25 (31.8)	3/8	.62	2.75	1.25	.31	1.38	1.50	.88	500 (56.5)	1/2
LAMA600S-38-6Y	600MCM-4AWG	1.31 (33.3)	3/8	.62	2.81	1.31	.31	1.38	1.81	.88	500 (56.5)	1/2
LAMA800-58-6Y	800-350MCM	1.63 (41.4)	5/8	.88	3.38	1.63	.38	1.63	1.94	.88	600 (67.8)	9/16
LAMA1000-58-6Y	1000-500MCM	1.75 (44.5)	5/8	.88	3.50	1.75	.44	1.75	2.13	.88	600 (67.8)	9/16

										CAD FILENAME/LAYERS		C41567_01			
										PANDUIT CORP TINLEY PARK, ILLINOIS					
										LAMA SERIES 300 THRU 1000MCM ALUMINUM MECHANICAL LUGS					
										UNLESS OTHERWISE SPECIFIED, DIMENSIONAL TOLERANCES ARE: (.X) ± --- (.XXX) ± --- (.XX) ± --- ANGLES ± ---		UNLESS OTHERWISE SPECIFIED, ALL DIMENSIONS ARE GIVEN IN INCHES, THIRD ANGLE PROJECTION			
01	3/06	JHNU	LEM	REVISED ROHS NOTE				PC00334			DRAWN BY	MAT'L:		SCALE	NONE
00	2/06	JHNU	LEM	DRAWING RELEASED - ROHS COMPLIANT				PC00299			DATE	SEE NOTES		DRAWING NO.	DWG
REV	DATE	BY	CHK	DESCRIPTION				ECN	CUST	PM	CHK'D			C41567	B SIZE